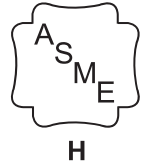




Submittal Sheet
Model GT 430A-14
Cast Iron Boiler



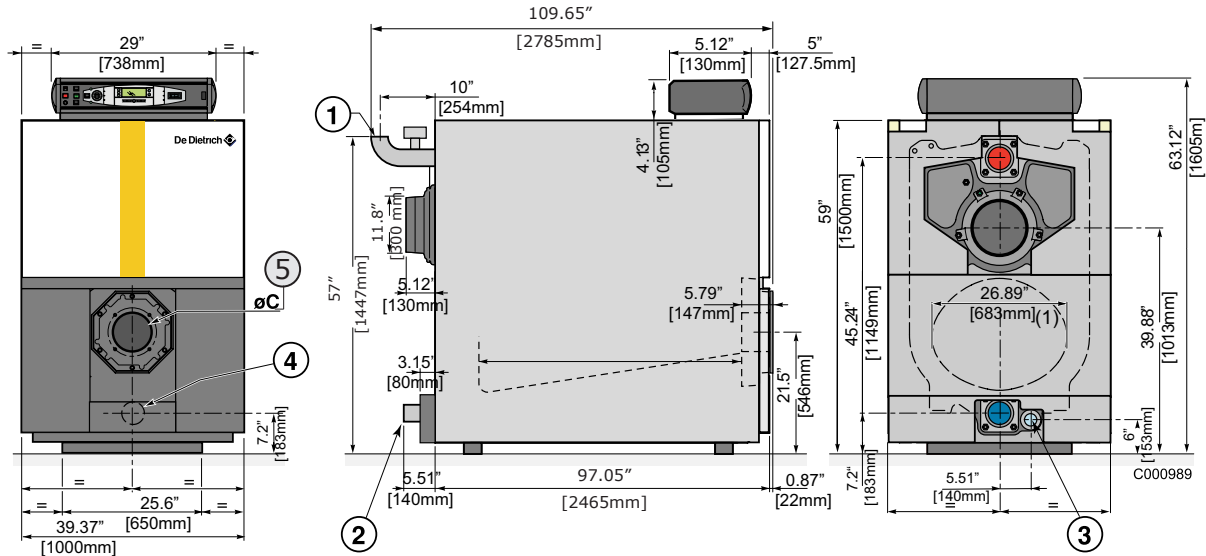
Project Name	
Project location	
Contractor	
Engineering Firm	
Boiler Representative	
Sales Rep. Phone	
Date Created	

Boiler Model		Burner Model	
Assembled		Burner Included	
Relief Valve		Fuel Type	
Boiler Options		Burner Options	
Code			

Revision

1		Date:	4		Date:
2		Date:	5		Date:
3		Date:	6		Date:

Engineering Submittal Package for GT 430A-14 Series

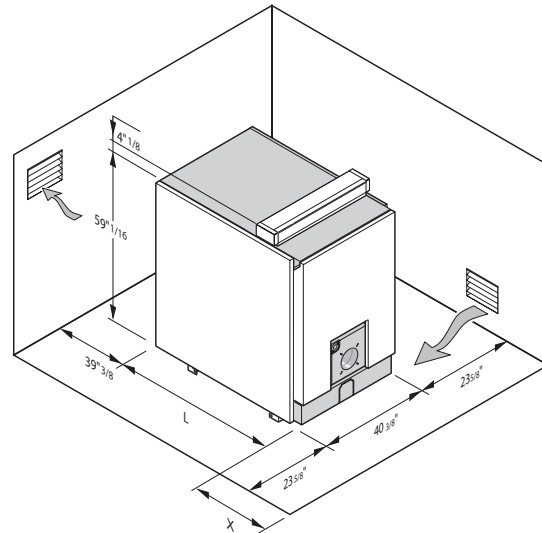
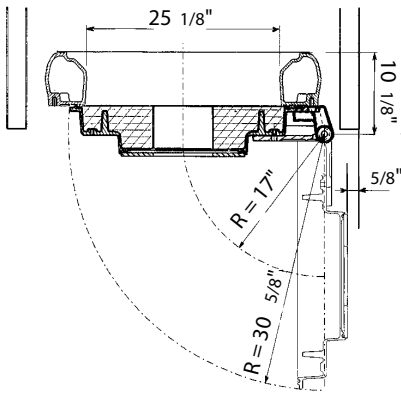


1. Heating outlet - weld 3"
2. Heating return - weld 3"
3. Rp 2" draining outlet
4. Sludge removal hole \varnothing Rp 2.5" - plugged
- \varnothing C Plate intact or pre-drilled to the diameter specified on order

5. Boiler door burner adaptor plate.
Specific to each burner.
Consult factory for details

Clearance

Top view



Dimensions "X" = burner length plus 24 inches for service

CAUTION

- Additional space required when the burner door is open.
- These dimensions need to be modified when installing multiple boilers side by side
- Illustration above showing minimum distances to combustable materials and servicing.
- Boiler must be installed on combustable material or on carpet.

Adequate ventilation and combustion air must be provided for the equipment as it requires fresh air for safe operation. Make sure the equipment is installed ensuring an adequate supply of fresh air. Chemicals can contaminate the air and cause by products during the combustion process. Boiler damage by conflagrations will void the warranty and any other responsibilities of DDR or liability

Engineering Submittal Package for GT 430A-14 Series

Boiler Specifications		
Input (Gas)	MBH/kW	3.389/993.2
Input (Oil)	US/GPH	23.50
Output (Gas-Oil)	MBH/kW	2,887/846.2
Cast Iron Sections	-	14
Flue-way Baffles	-	20
Water Capacity	USGAL/L	164.86/624
Water Resistance $\Delta T=18^{\circ}F$	Feet of Water (FT)/mbar	8.312/248.467
Water Resistance $\Delta T=27^{\circ}F$	Feet of Water (FT)/mbar	3.694/110.430
Water Resistance $\Delta T=36^{\circ}F$	Feet of Water (FT)/mbar	2.079/62.155
Combustion Chamber Dimensions (Diameter)	Inch/mm	20.87/530
Combustion Chamber Dimensions (Depth)	Inch/mm	84.37/2,143
Combustion Chamber Dimensions (Volume)	Ft ³ /m ³	19.95/0.565
ASME MAWP (Water)	PSI	90 PISG
Minimum Relief Valve Capacity	MBH	3.168
Panel (Electrical Connection)	V/P/H	120/1/60 <10A
Panel (Maximum Water Temperature)	$^{\circ}F/^{\circ}C$	Fixed non adjustable 248/120
Panel (Operating Water Temperature Range)	$^{\circ}F/^{\circ}C$	104-212/ 40-100
Chamber Resistance	Inch w.c./mbar	1.00/2.5
Gas-Vent Category	-	I,II,III,IV & Sidewall
Boiler Vent Connection	Inch	12
Weight (Dry)	LB/kg	5,622/2,550