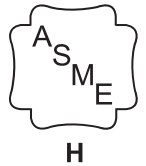




**Submittal Sheet**  
**Model GT 530A-22**  
**Cast Iron Boiler**



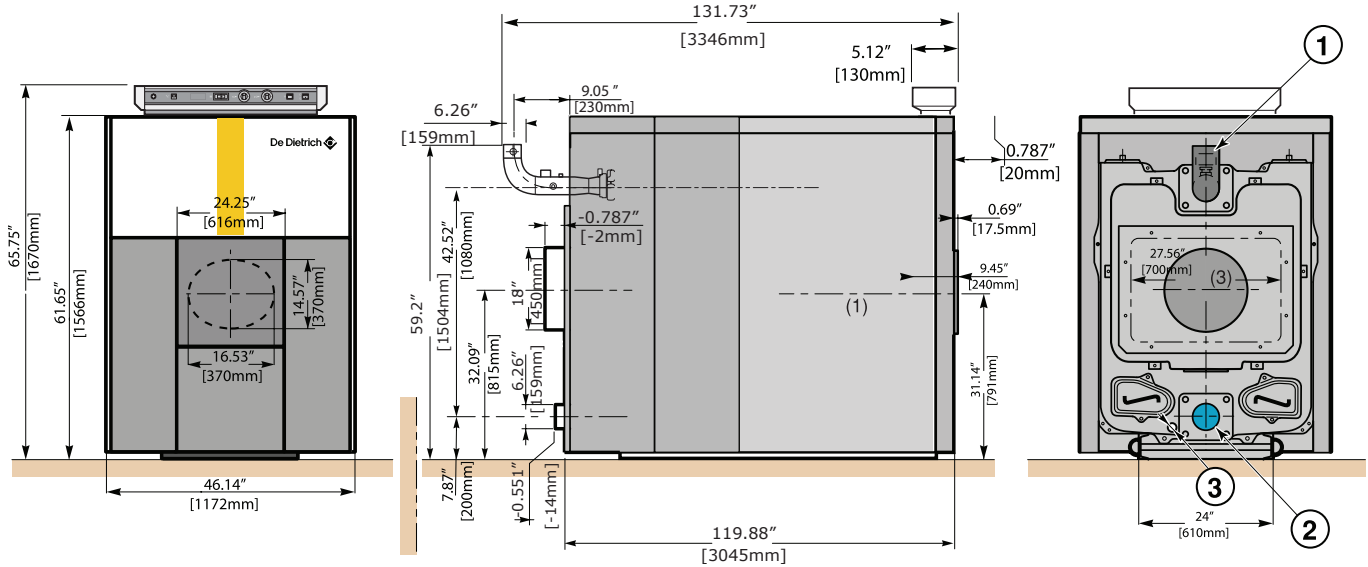
Project Name	
Project location	
Contractor	
Engineering Firm	
Boiler Representative	
Sales Rep. Phone	
Date Created	

Boiler Model		Burner Model	
Assembled		Burner Included	
Relief Valve		Fuel Type	
Boiler Options		Burner Options	
Code			

**Revision**

1		Date:	4		Date:
2		Date:	5		Date:
3		Date:	6		Date:

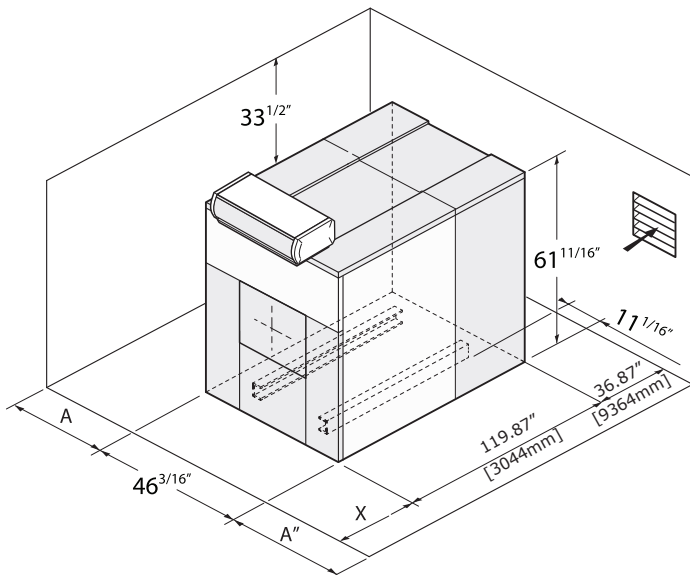
## Engineering Submittal Package for GT 530A-22 Series



- ① Boiler supply, 5" ANSI 150#
- ② welded neck flange Boiler return, 5" ANSI 150#
- ③ welded neck flange Drain, 3/4" NPT

F\*- Nominal length. Consult vent supplier for correct sizing.  
 G\*- Length required for clearing the water distributing tube.  
 K\*- Dimension representing the end of the 4"/100mm long chimney connection.

**Boiler must not be installed on combustible flooring or pad, do not install on carpet.**



**If A = 47 1/4"** (side burner side door open),  
**A' = 47 1/4"** (side burner door open): dimensions to be adopted according to the space required for the burner when the door is open.  
 Dimensions "X" = burner length plus 24 inches for service

## Engineering Submittal Package for GT 530A-22 Series

<b>Boiler Specifications</b>		
Input (Gas)	MBH/kW	5,480/1,606
Input (Oil)	US/GPH	38.00
Output (Gas-Oil)	MBH/kW	4.669/1,368.3
Cast Iron Sections	-	22
Flue-way Baffles	-	8
Water Capacity	USGAL/L	259.18/981
Water Resistance $\Delta T=18^{\circ}F$	Feet of Water (FT)/mbar	2.48/74.02
Water Resistance $\Delta T=27^{\circ}F$	Feet of Water (FT)/mbar	1.10/32.91
Water Resistance $\Delta T=36^{\circ}F$	Feet of Water (FT)/mbar	0.62/18.05
Combustion Chamber Dimensions (Diameter)	Inch/mm	27.31/694
Combustion Chamber Dimensions (Depth)	Inch/mm	94.92/2,411
Combustion Chamber Dimensions (Volume)	Ft <sup>3</sup> /m <sup>3</sup>	32.49/0.92
ASME MAWP (Water)	PSI	ASME IV Rating Class 30-90 PISG
Minimum Relief Valve Capacity	MBH	5,123
Panel (Electrical Connection)	V/P/H	120/1/60 <10A
Panel (Maximum Water Temperature)	$^{\circ}F/^{\circ}C$	248/120
Panel (Operating Water Temperature Range)	$^{\circ}F/^{\circ}C$	104-212/ 40-100
Chamber Resistance	Inch w.c./mbar	1.29/3.2
Gas-Vent Category	-	I,II,III,IV or Sidewall
Boiler Vent Connection	Inch	18
Weight (Dry)	LB/kg	10,437/4,734