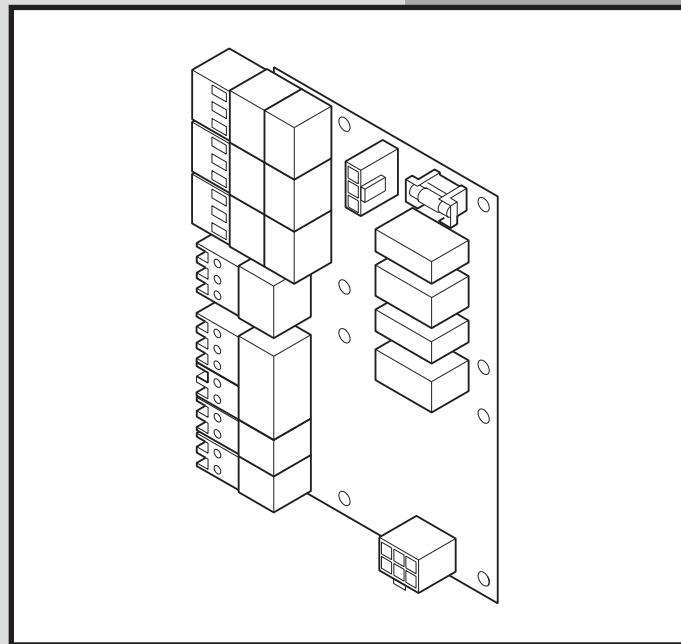


Montage instructie  
Assembly instructions  
Instructions de montage  
Montageanweisung

**SCU-S01 interface**  
**SCU-S01 interface**  
**Platine SCU-S01**  
**SCU-S01 Platine**



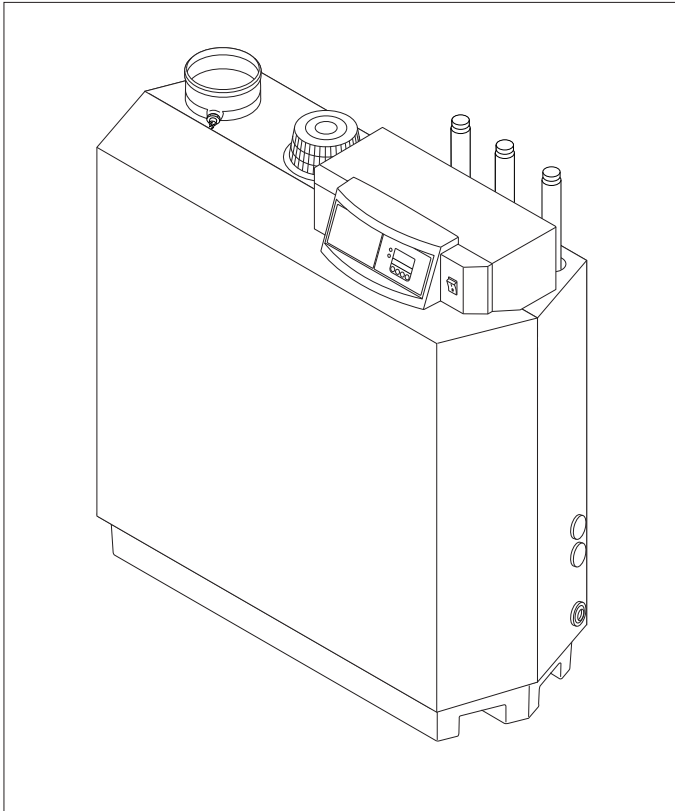
**For users in USA and Canada**

Before installing, first read the additional safety instruction for USA and Canada which is included with this part.

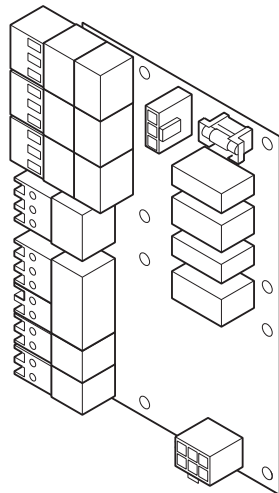


**Pour utilisateurs en Canada et les Etats-Unis**

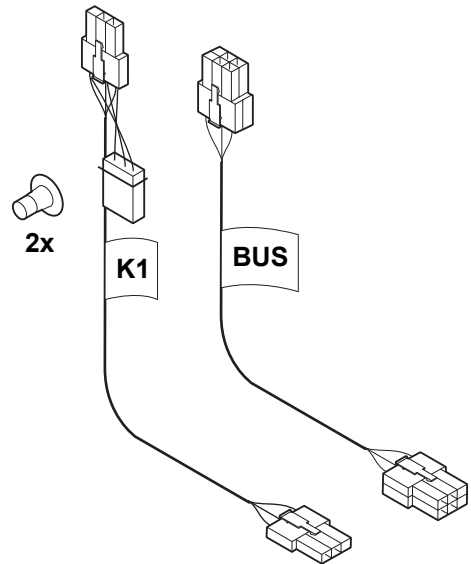
Avant installer, lisez les instructions de securite supplementaires pour Canada et les Etats Unis. Le document a ete ajoute a cette de piece.



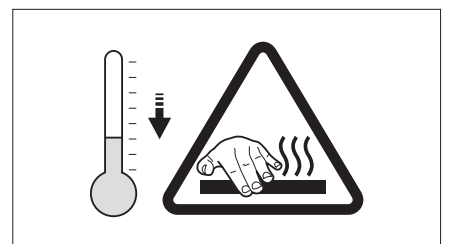
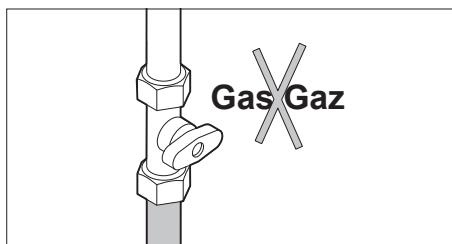
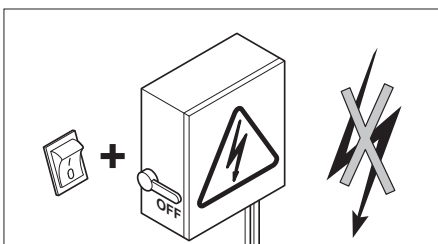
Inhoud verpakking  
Set contents  
Contenu du jeu  
Inhalt des Bausatzes

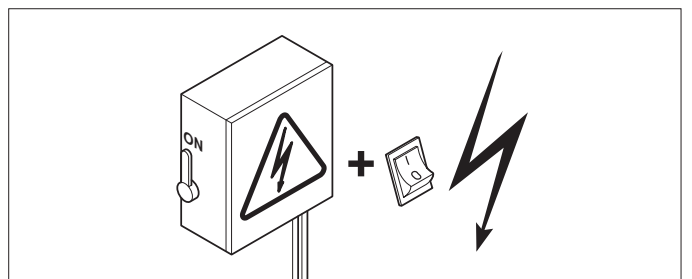
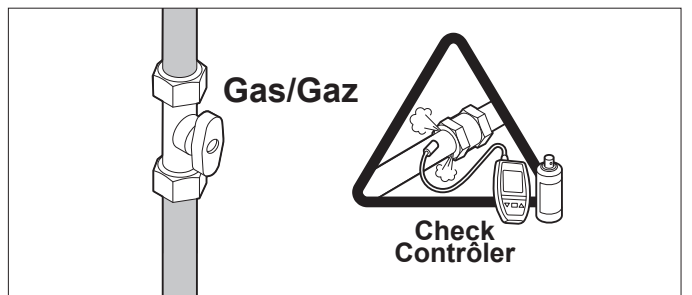
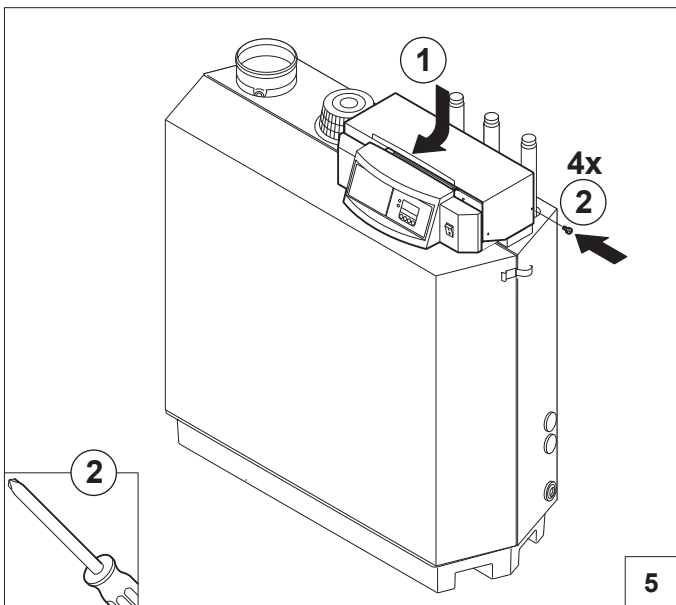
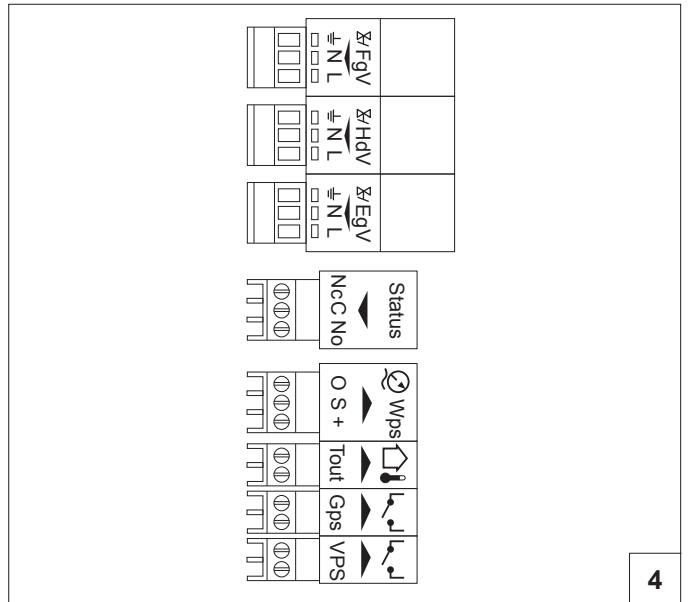
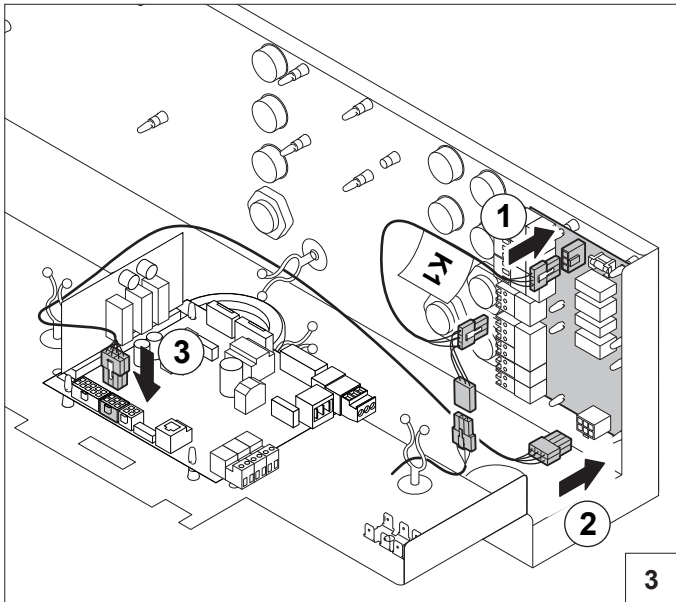
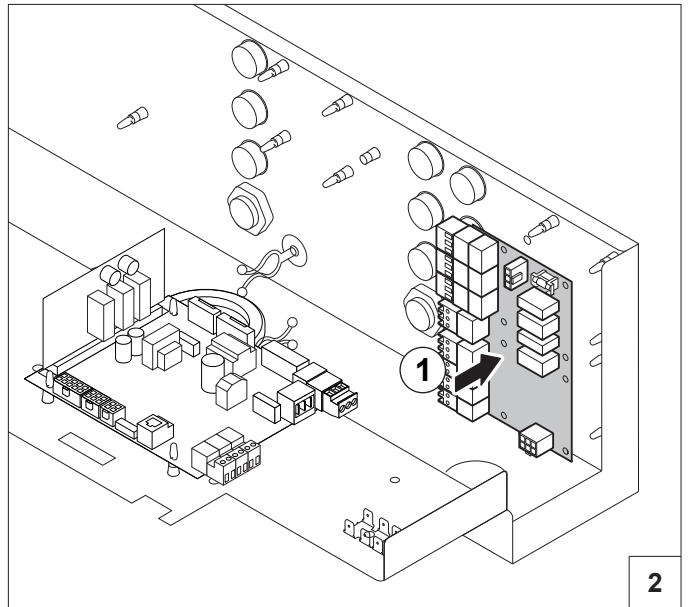
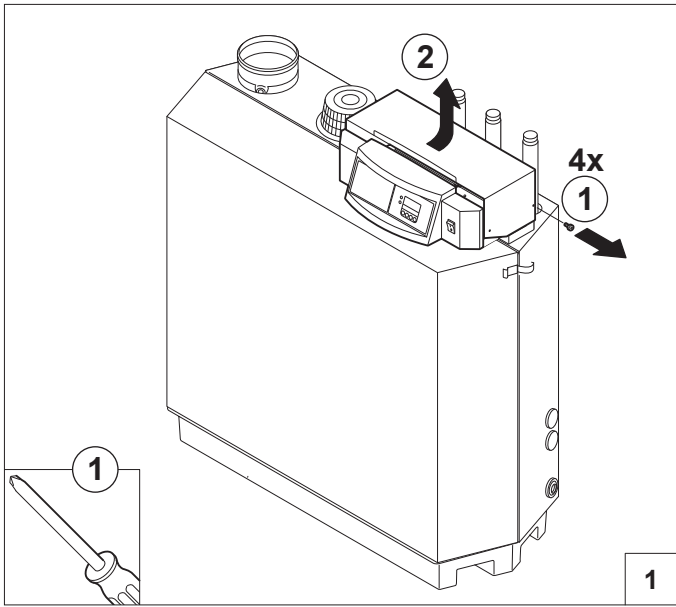


8x



2x





**© Copyright**

All technical and technological information contained in these technical instructions, as well as any drawings and technical descriptions supplied, remain our property and shall not be multiplied without our prior consent in writing.

Ours is a policy of continuous development. We reserve the right to alter specifications without prior notification.

Subject to alterations.



119995 - 090609



119995