

Drawing Template [0]

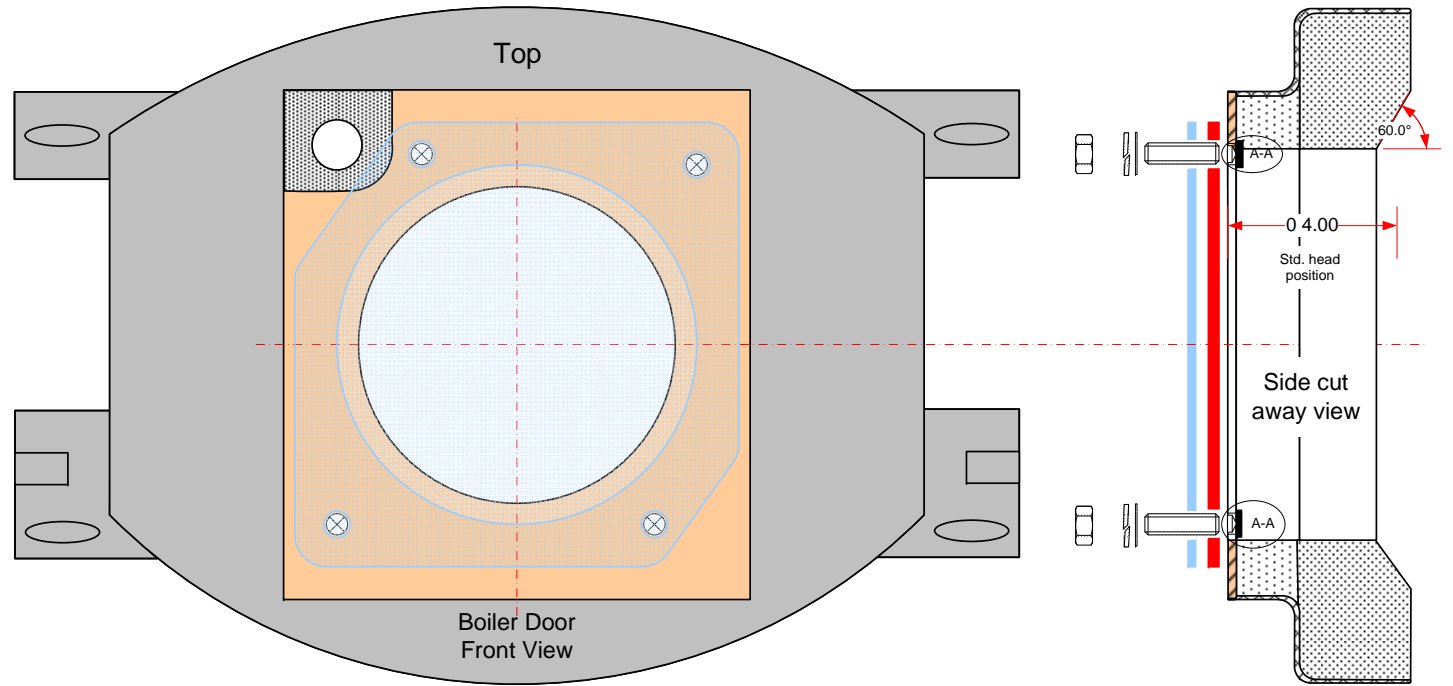


DDR Americas Inc.
 1090 Fountain Street North, Unit 10 & 11
 Cambridge, Ontario N3E 1A3 - Canada
 Tel: 1.800.943.6275 Fax: 519.650.1709
 Website: www.dedietrich-boilers.com

Revisions		
Date	Description	Initial

Description	Power Flame burner flange (C12509 & C12510) use as reference only						
	Creator	Craig H.	Tolerances ±	± 0.03"	Material	CRS	
Approved		Scale	3" = 1 ft.	File Name	2-300-PFI-001b		
Revision	2	Units	Inches	Date [mm/dd/yy]	04/08/10		

Boiler door material	Power Flame burner flange P/N C12509 C12510	BP 114 Door Face	Burner Gasket [Supplied with Burner]
----------------------	---	------------------	---



**FINAL ASSEMBLY DRAWING
REFERENCE ONLY**

Standard De Dietrich GT 300 A/II
Boiler Door BP 114 Modifications

Drawing Template [0]	De Dietrich BOILERS			Revisions					
	DDR Americas Inc. 1090 Fountain Street North, Unit 10 & 11 Cambridge, Ontario N3E 1A3 – Canada Tel: 1.800.943.6275 Fax: 519.650.1709 Website: www.dedietrichboilers.com			Date	Description	Initial	Description		
				Power Flame burner flange (C12509 & C12510) applied to GT330A (GT300A/II) modified boiler door					
				Creator	Craig H.	Tolerances ±	± 0.03"	Material	Cast-CRS
				Approved		Scale	3" = 1 ft.	File Name	2-300-PFI-001c
				Revision	2	Units	Inches	Date [mm/dd/yy]	04/08/10