

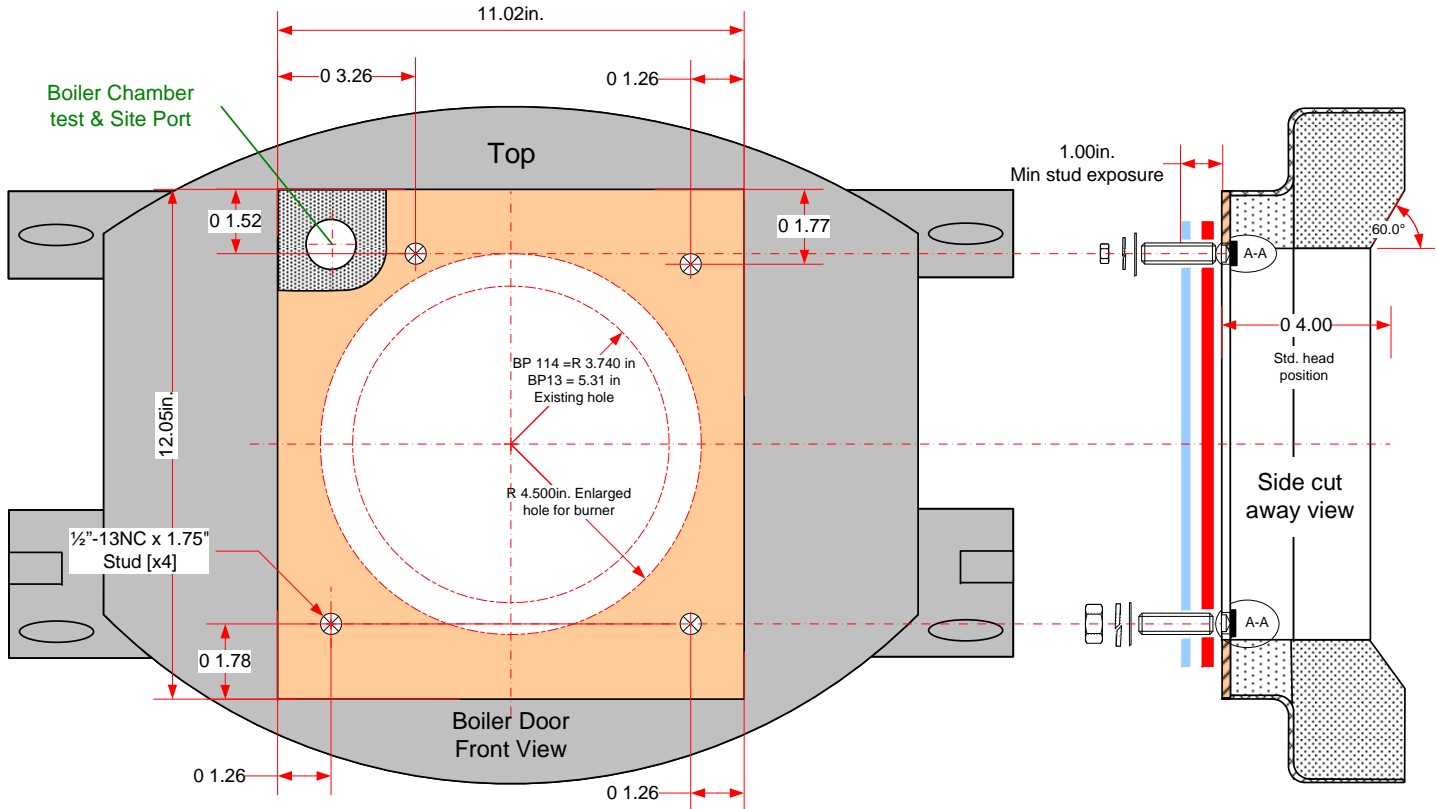
Boiler door material

burner flange P/N
C12500
C12501
J11001

BP 13
Or BP 114
Door Face

Burner Gasket
[Supplied with Burner]

Vendor Notes
1. Modify GT 300 A/II Door "BP 114" according to drawing
2. Enlarge door opening from 5.31 in. or 7.48" to 9" fit burner combustion head as required.
3. Drill & tap door for 1/2"-13 NC x 1.75" studs [x4]
4. All studs to be reinforced at back with good mechanical means.
5. Studs & hardware as shown to be supplied with modified boiler door by vendor.
6. Boiler door insulation to be modified according to drawing.



Standard De Dietrich GT 300 A/II Boiler Door Modified.

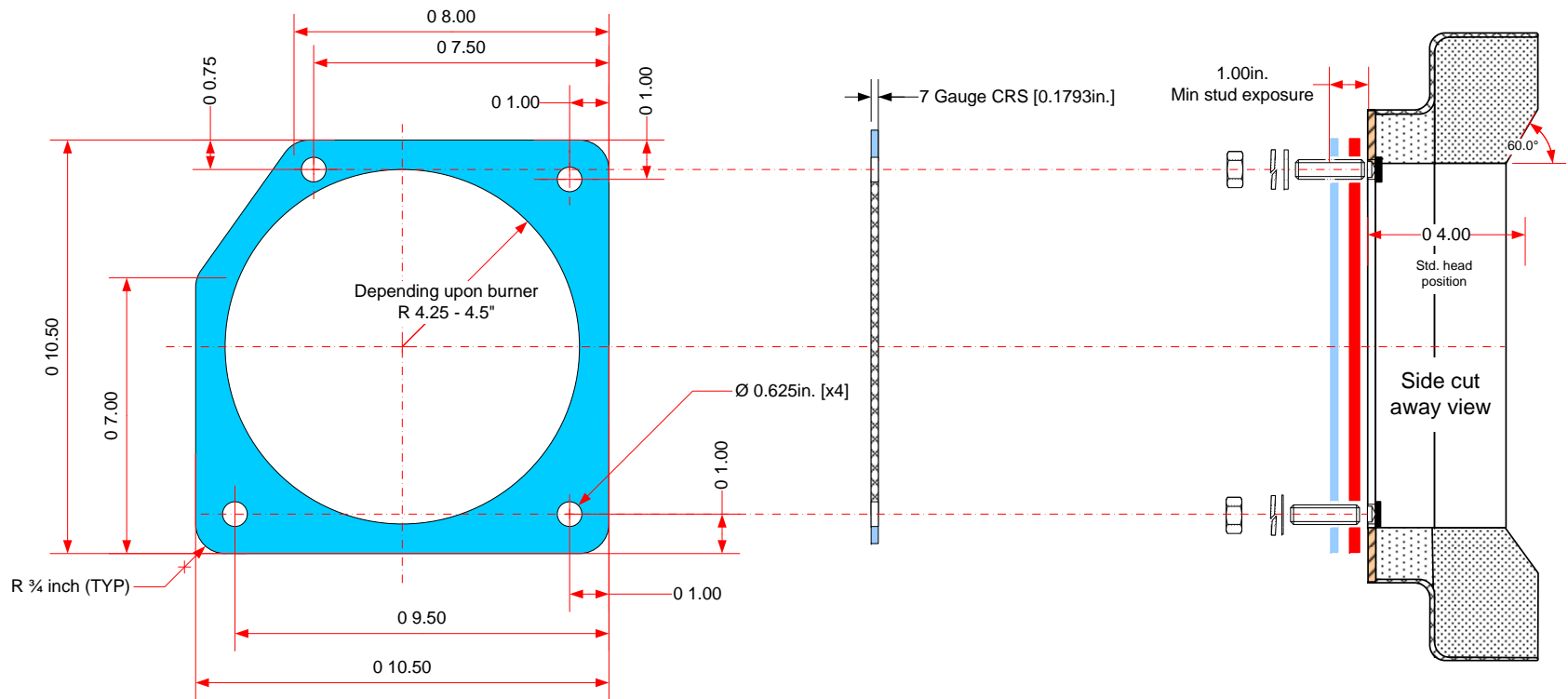
- BP 114 = 190mm [7.48 inch] existing hole
or
- BP13 = 135mm [5.31 inch] existing hole

Section A-A 1/2"-13NC x 1.75" stud [x4] to be reinforced at backing

De Dietrich
BOILERS

Flexible Eutectic Boilers Ltd. [North America]
1090 Fountain Street North, Unit 10 & 11
Cambridge, Ontario N3E 1A3 - Canada
Tel: 1.800.943.6275 Fax: 519.650.1709
Website: www.dedietrich-boilers.com

Revisions			Description	De Dietrich GT300A/II boiler door modification for Power Flame C(R)2 burner with flange				
Date	Description	Initial		Part # C12500 DWG # 30B1270C-1 & C12501 DWG #30B1271C-1. JR50 burner flange # J11001 dwg # 60B342C-1				
03/31/08	Update description	CJH	Creator	Craig H.	Tolerances ±	± 0.03"	Material	Cast-CRS BP114 or BP13
			Approved		Scale	3" = 1 ft.	File Name	2-300-PFI-002a
			Revision	2	Units	Inches	Date [mm/dd/yy]	03/31/08



Drawing Template [0]

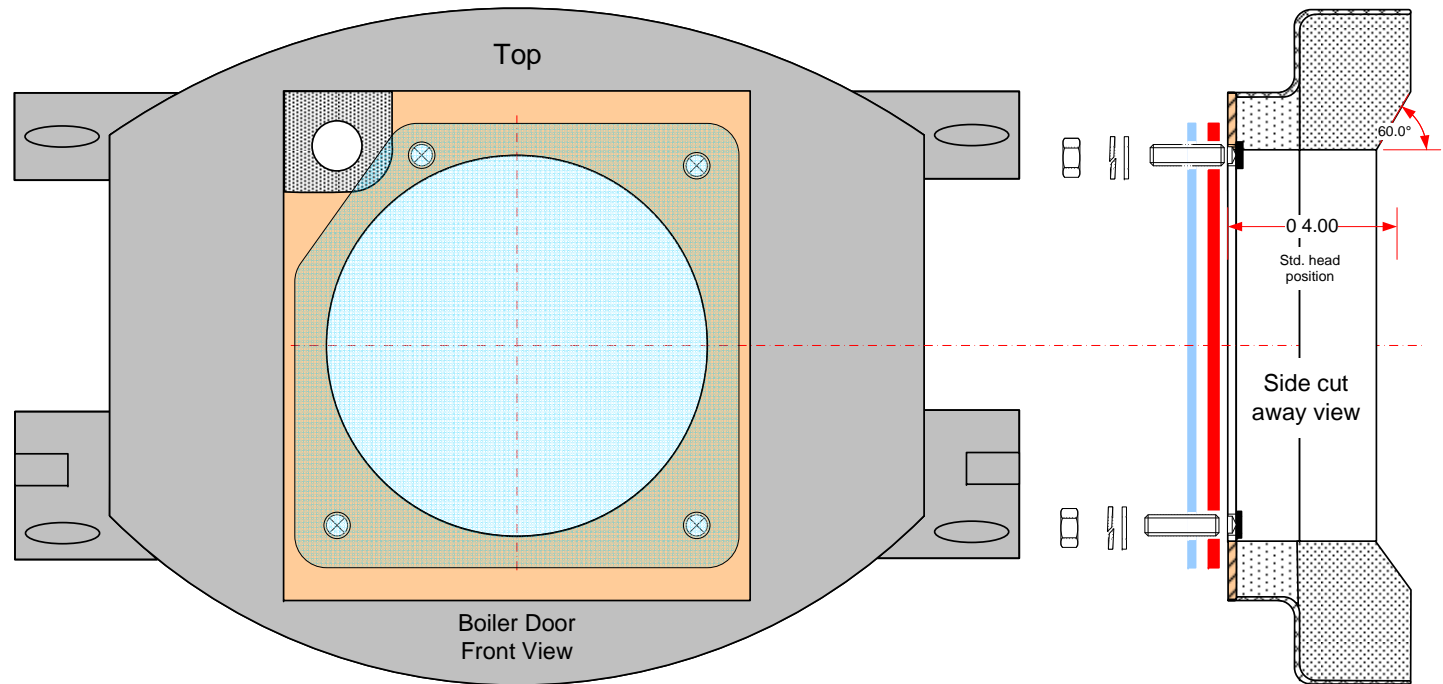


Flexible Eutectic Boilers Ltd. [North America]
1090 Fountain Street North, Unit 10 & 11
Cambridge, Ontario N3E 1A3 - Canada
Tel: 1.800.943.6275 Fax: 519.650.1709
Website: www.dedietrich-boilers.com

Revisions		
Date	Description	Initial
03/31/08	Update description	CJH


Description	Power Flame C(R)2 burner with flange Part # C12500-DWG # 30B1270C-1 & C12501 DWG # 30B1271C-1 & JR50 flange # J11001 DWG # 60B342C-1 for reference only						
	Creator	Craig H.	Tolerances ±	± 0.03"	Material	CRS	
Approved		Scale	3" = 1 ft.	File Name	2-300-PFI-002b		
Revision	2	Units	Inches	Date [mm/dd/yy]	03/31/08		

Boiler door material	burner flange P/N C12500 C12501	BP 114 Door Face	Burner Gasket [Supplied with Burner]
----------------------	---------------------------------------	---------------------	--



**FINAL ASSEMBLY DRAWING
REFERENCE ONLY**

Standard De Dietrich GT 300 A/II
Boiler Door BP 114 Modifications

Drawing Template [0]				Revisions		Description						
	Date	Description	Initial	De Dietrich GT300A/II boiler door modification for Power Flame C(R)2 burner with Part # C12500 DWG # 30B1270C-1, C12501 DWG #30B1271C-1 & JR50 flange # J11001 DWG # 60B342C-1 final assembly drawing.		Creator		Craig H.	Tolerances ±	± 0.03"	Material	Cast-CRS BP114 & BP13
	03/31/08	Update description	CJH	Approved			Scale	3" = 1 ft.	File Name	2-300-PFI-002c		
				Revision		2	Units	Inches	Date [mm/dd/yy]	03/31/08		
	Flexible Eutectic Boilers Ltd. [North America] 1090 Fountain Street North, Unit 10 & 11 Cambridge, Ontario N3E 1A3 – Canada Tel: 1.800.943.6275 Fax: 519.650.1709 Website: www.dedietrich-boilers.com											