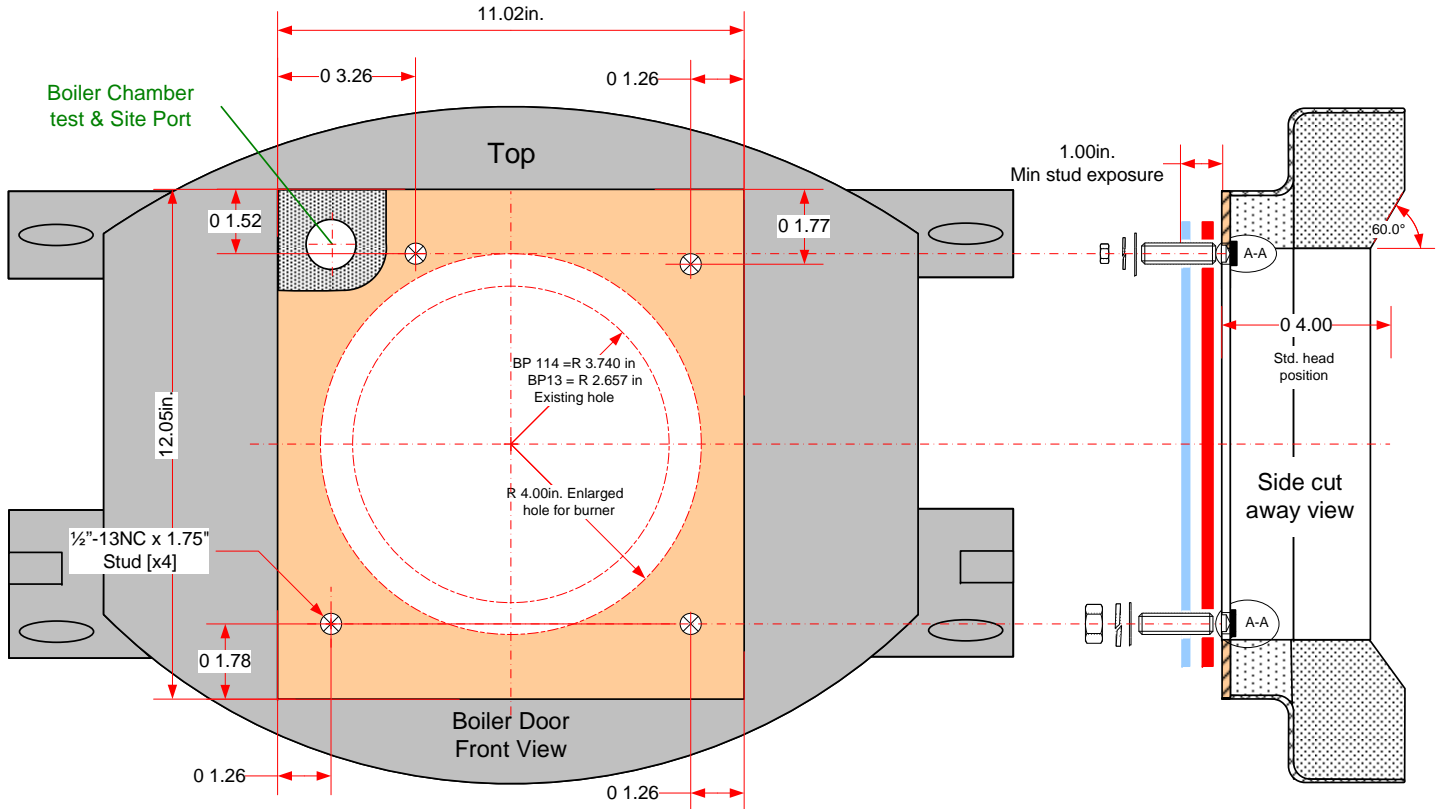


Boiler door material	Power Flame Burner Flange P/N C12499 C12500	BP 13 Or BP 114 Door Face	Burner Gasket [Supplied with Burner]
----------------------	--	---------------------------------	--

Vendor Notes
1. Modify GT 300 A/II Door "BP 114" according to drawing
2. Enlarge door opening from 5.31 in. or 7.48" to 8" fit burner combustion head as required.
3. Drill & tap door for 1/2"-13 NC x 1.75" studs [x4]
4. All studs to be reinforced at back with good mechanical means.
5. Studs & hardware as shown to be supplied with modified boiler door by vendor.
6. Boiler door insulation to be modified according to drawing.



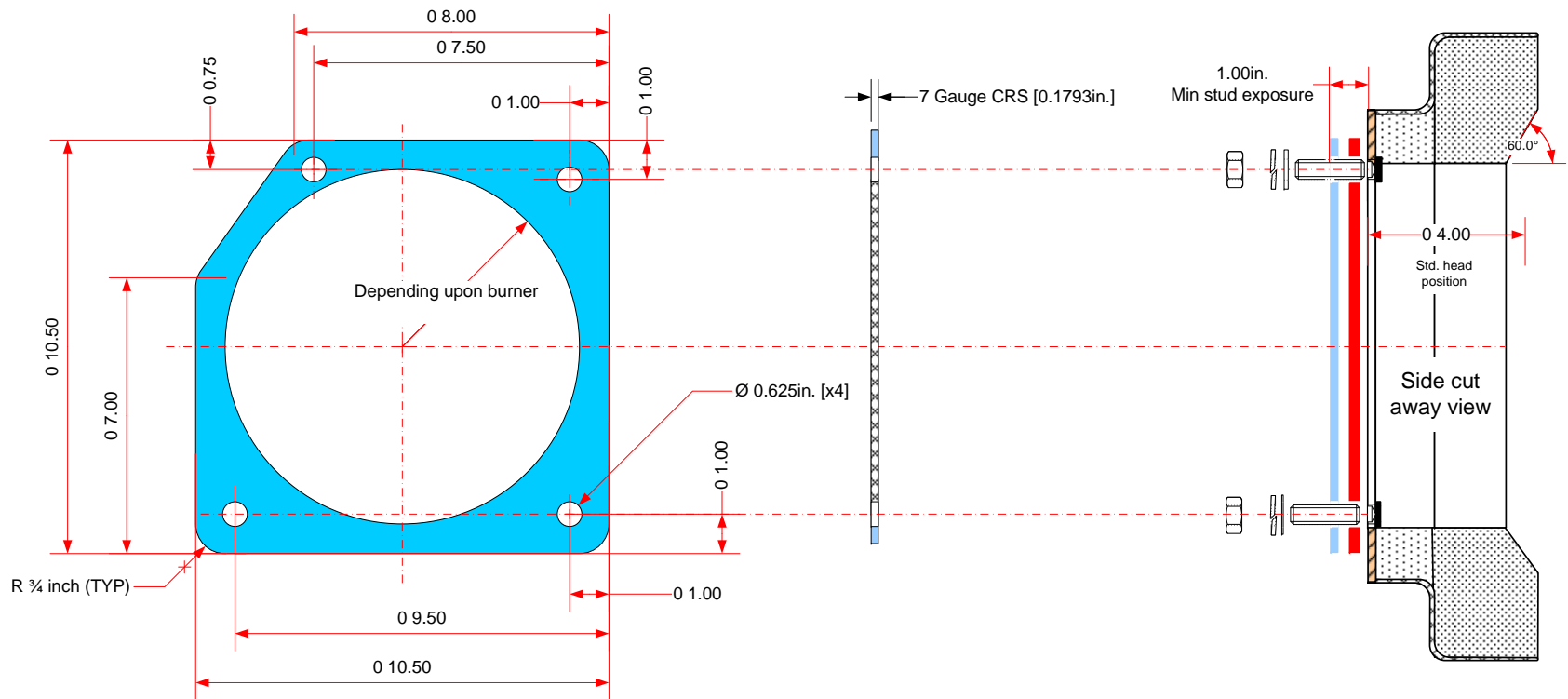
Standard De Dietrich GT 300 A/II Boiler Door Modified.

1. BP 114 = 190mm [7.48 inch] existing hole
or
2. BP13 = 135mm [5.31 inch] existing hole

Section A-A 1/2"-13NC x 1.75" stud [x4] to be reinforced at backing

Drawing Template [0]			Revisions		Description	GT330A (GT330A/II) BP13 or BP114 boiler door modification for CR1 burners ONLY Oil-Gas-Gas/Oil (Dual Fuel) burners				
			Date	Description		Initial				
		03/31/08	Update description	CJH						
		04/08/10	Flange ID @ R4.5 to 4.0	CJH	Creator	Craig H.	Tolerances ±	± 0.03"	Material	Cast-CRS BP114 or BP13
					Approved		Scale	3" = 1 ft.	File Name	2-300-PFI-002a
					Revision	3	Units	Inches	Date [mm/dd/yy]	04/08/10

DDR Americas Inc.
1090 Fountain Street North, Unit 10 & 11
Cambridge, Ontario N3E 1A3 - Canada
Tel: 1.800.943.6275 Fax: 519.650.1709
Website: www.dedietrichboilers.com



Drawing Template [0]

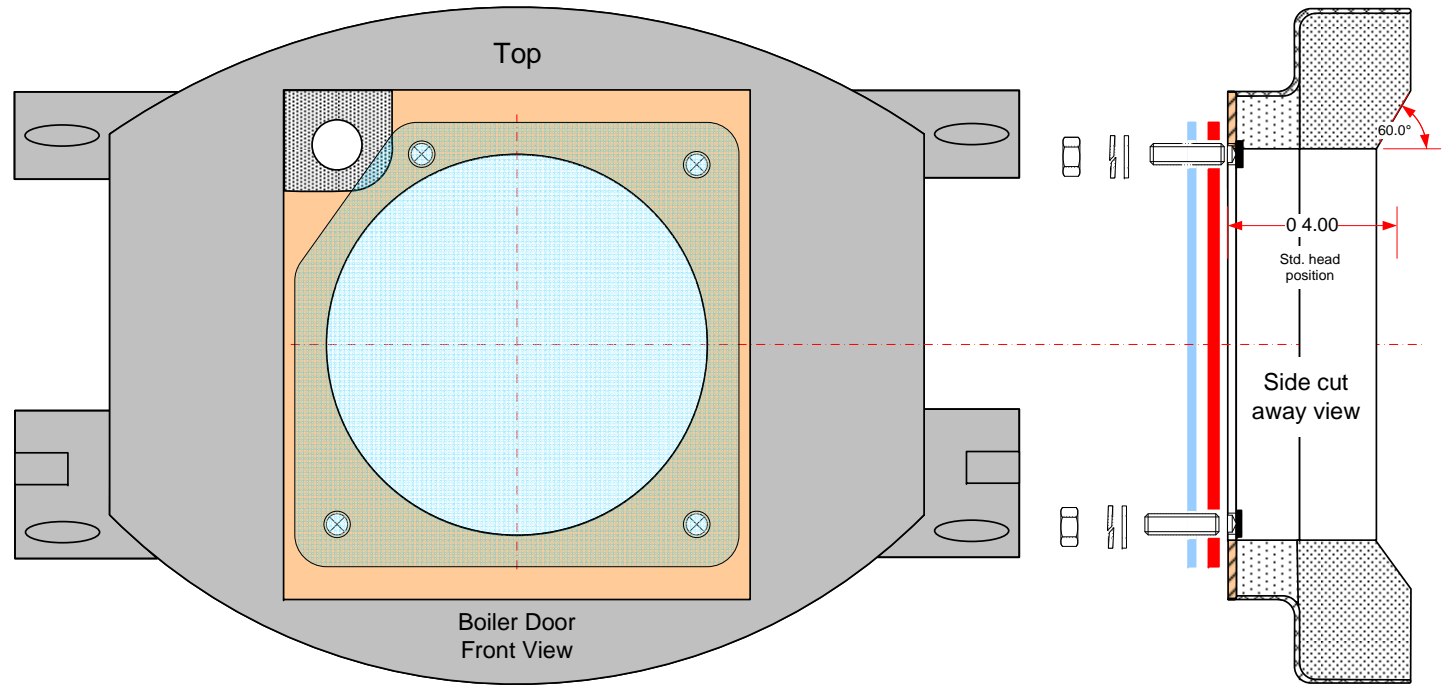


DDR Americas Inc.
 1090 Fountain Street North, Unit 10 & 11
 Cambridge, Ontario N3E 1A3 – Canada
 Tel: 1.800.943.6275 Fax: 519.650.1709
 Website: www.dedietrichboilers.com

Revisions		
Date	Description	Initial
03/31/08	Update description	

Description		Power Flame burner flange (C12499 & C12500) use as reference only					
Creator	Craig H.	Tolerances ±	± 0.03"	Material	CRS		
Approved		Scale	3" = 1 ft.	File Name	2-300-PFI-002b		
Revision	3	Units	Inches	Date [mm/dd/yy]	04/08/10		

Boiler door material	Power Flame Burner Flange P/N C12499 C12500	BP 114 Door Face	Burner Gasket [Supplied with Burner]
----------------------	---	------------------	---



FINAL ASSEMBLY DRAWING
REFERENCE ONLY

Standard De Dietrich GT 300 A/II
Boiler Door BP 114 Modifications

Drawing Template [0]	De Dietrich BOILERS		<table border="1" style="width: 100%; border-collapse: collapse;"> <thead> <tr> <th colspan="3">Revisions</th> </tr> <tr> <th>Date</th> <th>Description</th> <th>Initial</th> </tr> </thead> <tbody> <tr> <td>03/31/08</td> <td>Update description</td> <td>CJH</td> </tr> <tr> <td> </td> <td> </td> <td> </td> </tr> <tr> <td> </td> <td> </td> <td> </td> </tr> <tr> <td> </td> <td> </td> <td> </td> </tr> </tbody> </table>		Revisions			Date	Description	Initial	03/31/08	Update description	CJH										<table border="1" style="width: 100%; border-collapse: collapse;"> <tr> <td colspan="6">Description</td> <td colspan="2">Power Flame burner flange (C12499 & C12500) applied to modified GT330A (GT330A/II) boiler door</td> </tr> <tr> <td>Creator</td> <td>Craig H.</td> <td>Tolerances ±</td> <td>± 0.03"</td> <td>Material</td> <td colspan="3">Cast-CRS BP114 & BP13</td> </tr> <tr> <td>Approved</td> <td> </td> <td>Scale</td> <td>3" = 1 ft.</td> <td>File Name</td> <td colspan="3">2-300-PFI-002c</td> </tr> <tr> <td>Revision</td> <td>3</td> <td>Units</td> <td>Inches</td> <td>Date [mm/dd/yy]</td> <td colspan="3">04/08/10</td> </tr> </table>					Description						Power Flame burner flange (C12499 & C12500) applied to modified GT330A (GT330A/II) boiler door		Creator	Craig H.	Tolerances ±	± 0.03"	Material	Cast-CRS BP114 & BP13			Approved		Scale	3" = 1 ft.	File Name	2-300-PFI-002c			Revision	3	Units	Inches	Date [mm/dd/yy]	04/08/10		
	Revisions																																																										
	Date	Description	Initial																																																								
	03/31/08	Update description	CJH																																																								
Description						Power Flame burner flange (C12499 & C12500) applied to modified GT330A (GT330A/II) boiler door																																																					
Creator	Craig H.	Tolerances ±	± 0.03"	Material	Cast-CRS BP114 & BP13																																																						
Approved		Scale	3" = 1 ft.	File Name	2-300-PFI-002c																																																						
Revision	3	Units	Inches	Date [mm/dd/yy]	04/08/10																																																						
DDR Americas Inc. 1090 Fountain Street North, Unit 10 & 11 Cambridge, Ontario N3E 1A3 – Canada Tel: 1.800.943.6275 Fax: 519.650.1709 Website: www.dedietrichboilers.com																																																											