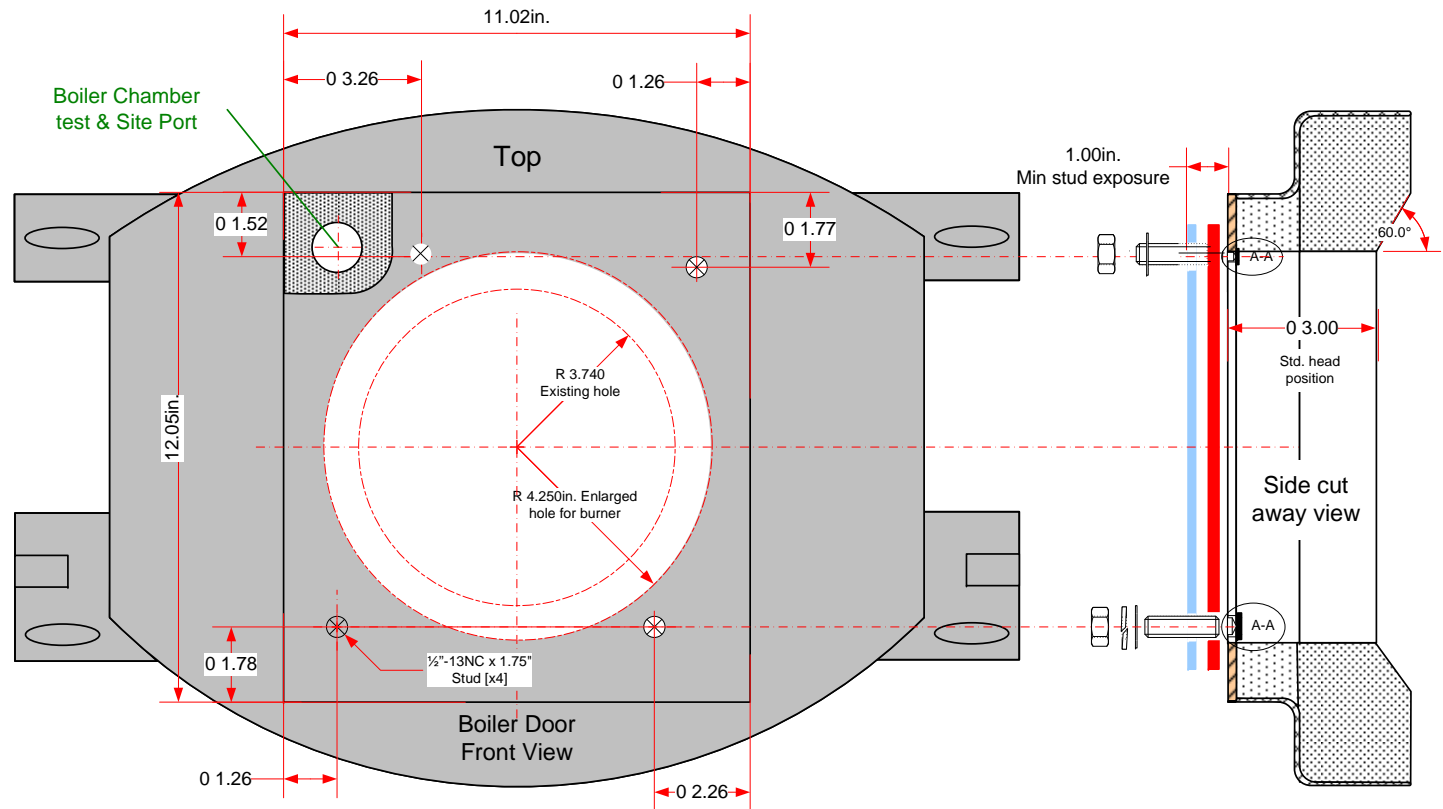


Boiler door material	burner flange P/N J11010	BP 114 Door Face	Burner Gasket <small>[Supplied with Burner]</small>
----------------------	--------------------------	------------------	--

Vendor Notes
1. Modify GT 300 A/II Door "BP 114" according to drawing
2. Enlarge door opening from 7.48" to 8.5" fit burner combustion head.
3. Drill & tap door for 1/2"-13 NC x 1.75" studs [x4]
4. All studs to be reinforced at back with good mechanical means.
5. Studs & hardware as shown to be supplied with modified boiler door by vendor.
6. Boiler door insulation to be modified according to drawing.



Standard De Dietrich GT 330A
Boiler Door BP 114 Modifications

NOTE:
DOES NOT FIT BURNER MODELS WITH
HTD SUFFIX (HTD = HIGH TURN DOWN)

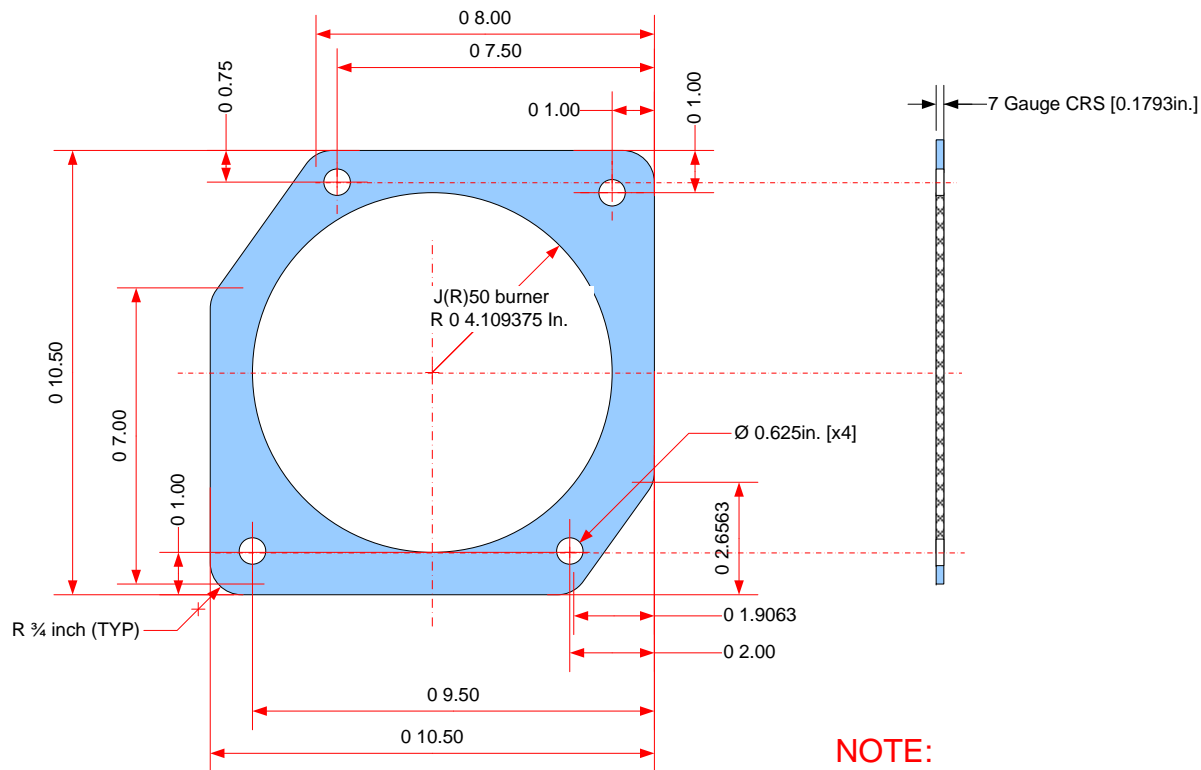
Section A-A 1/2"-13NC x 1.75" stud [x4] to be reinforced at backing

Drawing Template [0]



DDR Americas Inc.
1090 Fountain Street North, Unit 10
Cambridge, Ontario N3E 1A3 - Canada
Tel: 1.800.943.6275 Fax: 519.650.1709
Website: www.dedietrichboilers.com

Revisions			Description	GT330 (formerly GT300A/II) boiler door BP114 modification for Power Flame J(R)50 burner with flange Part # J11010			
Date	Description	Initial		Creator	Tolerances ±	Material	Scale
06/15/10	Added JR50 ref.	CJH		Craig H.	± 0.03"	Cast-CRS	3" = 1 ft.
				Approved		File Name	2-300-PFI-003a
				Revision	1	Date [mm/dd/yy]	06-15-10



Drawing Template [0]



DDR Americas Inc.
1090 Fountain Street North, Unit 10
Cambridge, Ontario N3E 1A3 - Canada
Tel: 1.800.943.6275 Fax: 519.650.1709
Website: www.dedietrichboilers.com

Revisions		
Date	Description	Initial
06/15/10	JR50 only	CJH

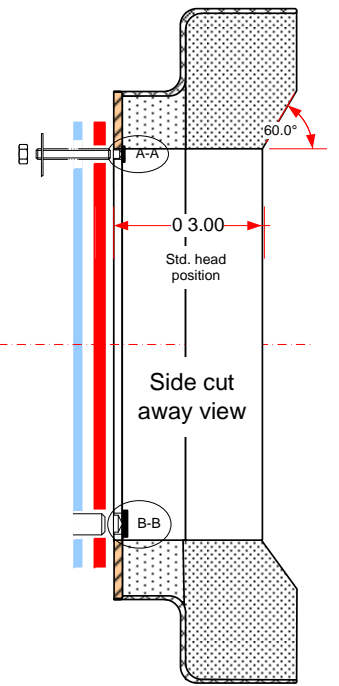
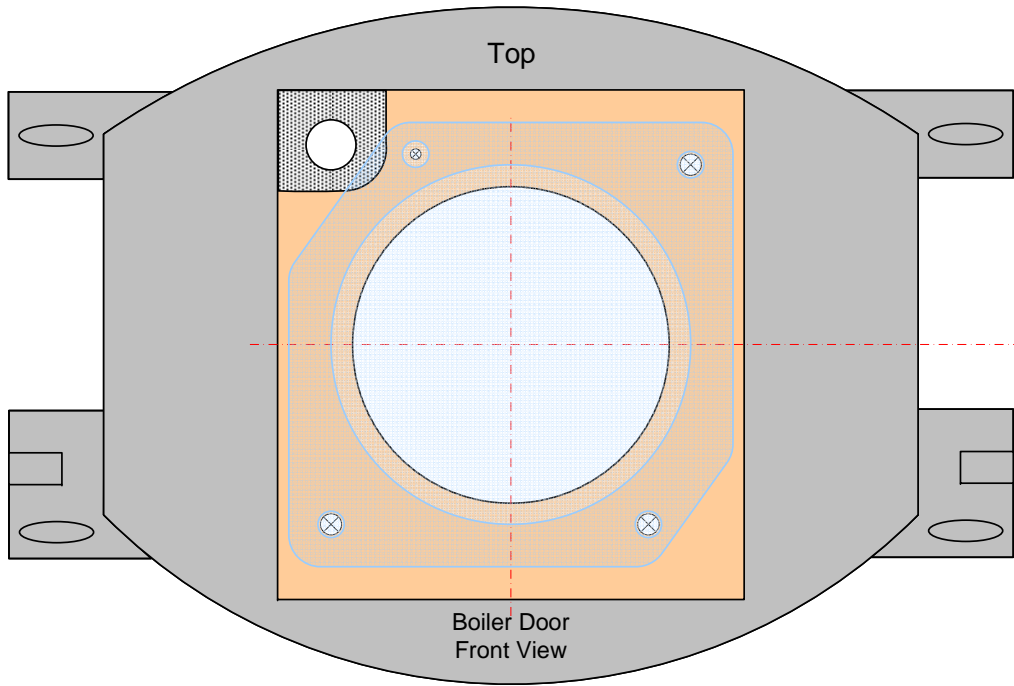
Description	Power Flame J(R)50 burner flange # J11010 - DWG 60B420C - Reference Only						
	Creator	Tolerances ±	± 0.03"	Material	CRS		
Approved	Craig H.	Scale	3" = 1 ft.	File Name	2-300-PFI-003b		
Revision	1	Units	Inches	Date [mm/dd/yy]	06-15-10		

Boiler door material

Burner Flange # J11010 (JR50)


BP 114 Door Face

Burner Gasket
[Supplied with Burner]



NOTE:
DOES NOT FIT BURNER MODELS WITH
HTD SUFFIX (HTD = HIGH TURN DOWN)

Standard De Dietrich GT 330A
Boiler Door BP 114 Modifications

Drawing Template [0]				Revisions Date Description Initial 06/15/10 Add JR50 burner CJH				Description GT330A (formerly GT300A/II) boiler door BP114 for Power Flame J(R)50 burner - FINAL ASSEMBLY DRAWING			
	DDR Americas Inc. 1090 Fountain Street North, Unit 10 Cambridge, Ontario N3E 1A3 - Canada Tel: 1.800.943.6275 Fax: 519.650.1709 Website: www.dedietrichboilers.com			Creator Craig H.		Tolerances ± ± 0.03"		Material Cast-CRS			
	Approved		Scale 3" = 1 ft.		File Name 2-300-PFI-003c						
	Revision 1		Units Inches		Date [mm/dd/yy] 06-15-10						