

Boiler Door

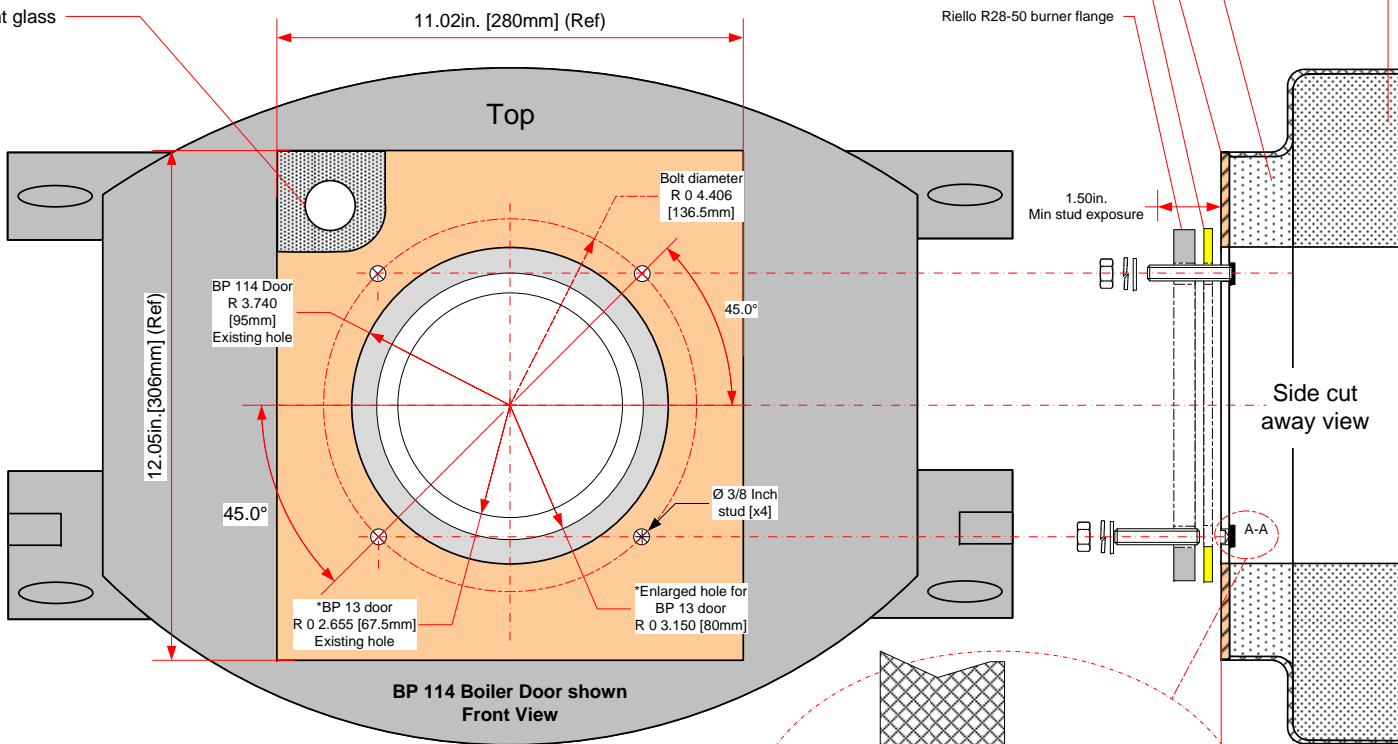
BP 114 Door Face


Burner Gasket [Supplied with Burner]

Boiler door insulation
Boiler door face
Riello R28-50 gasket)
Riello R28-50 burner flange
Boiler fiber board insulation (field modified to suit burner head requirements)

Boiler chamber sight glass 11.02in. [280mm] (Ref)

Vendor Notes
1. Modify GT 330A Door(s) 'BP 13' or 'BP 114' according to drawing
2. Boiler door(s) combustion head openings: * BP 13 = 135mm [5.31 In.] opening BP114 = 190mm [7.48 In.] opening large enough for Riello RS 28 thru 50 burners. * If BP13 door used for modification, the door opening will need to be increased from 135mm [5.3 In.] to 160mm [6.3 In.]
3. Drill & tap door for 3/8"-16 UNC x 2.0 In. studs [x4]
4. All studs to be reinforced at back with good mechanical means.
5. Studs & hardware to be supplied with modified boiler door by vendor.
6. All modifications are to be free of burrs and shapes edges. No finish specified on modified door.
<i>Standard BP13 or BP 114 GT330A boiler door, colours used in drawing are for reference only</i>



Boiler Door – Burner Mounting Hardware [Supplied with modified Boiler Door]	
	3/8In.-16 UNC x 2.0 In. studs [x4] 4 pieces

Drawing Template [0]

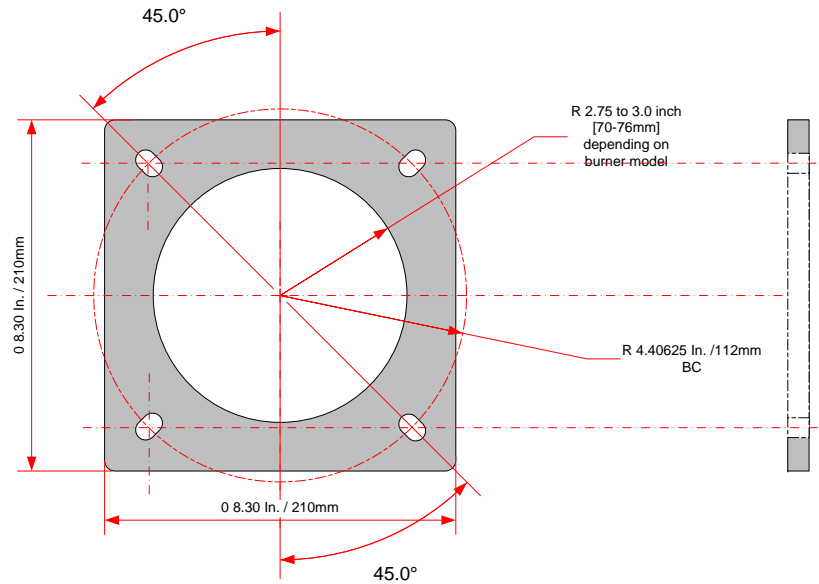


DDR Americas Inc.
1090 Fountain Street North, Unit 10 & 11
Cambridge, Ontario N3E 1A3 – Canada
Tel: 1.800.943.6275 Fax: 519.650.1709
www.dedietrichboilers.com

Revisions		
Date	Description	Initial
08/19/08	Deleted adapter plate	CJH
11/20/08	Added BP 13 door refer.	CJH

Description	GT 330A (BP 114) boiler door modifications for Riello R28 thru 50 burners						
Creator	Craig H.	Tolerances ±	0.03In. /0.75mm	Material	Cast iron/CRS		
Approved		Scale	3 in = 1 ft.	File Name	2-300-RIE-001(a)		
Revision	2	Units	In./mm	Date [mm/dd/yy]	11/20/08		

Riello R28 thru 50
burner mounting flange details
(Reference only)



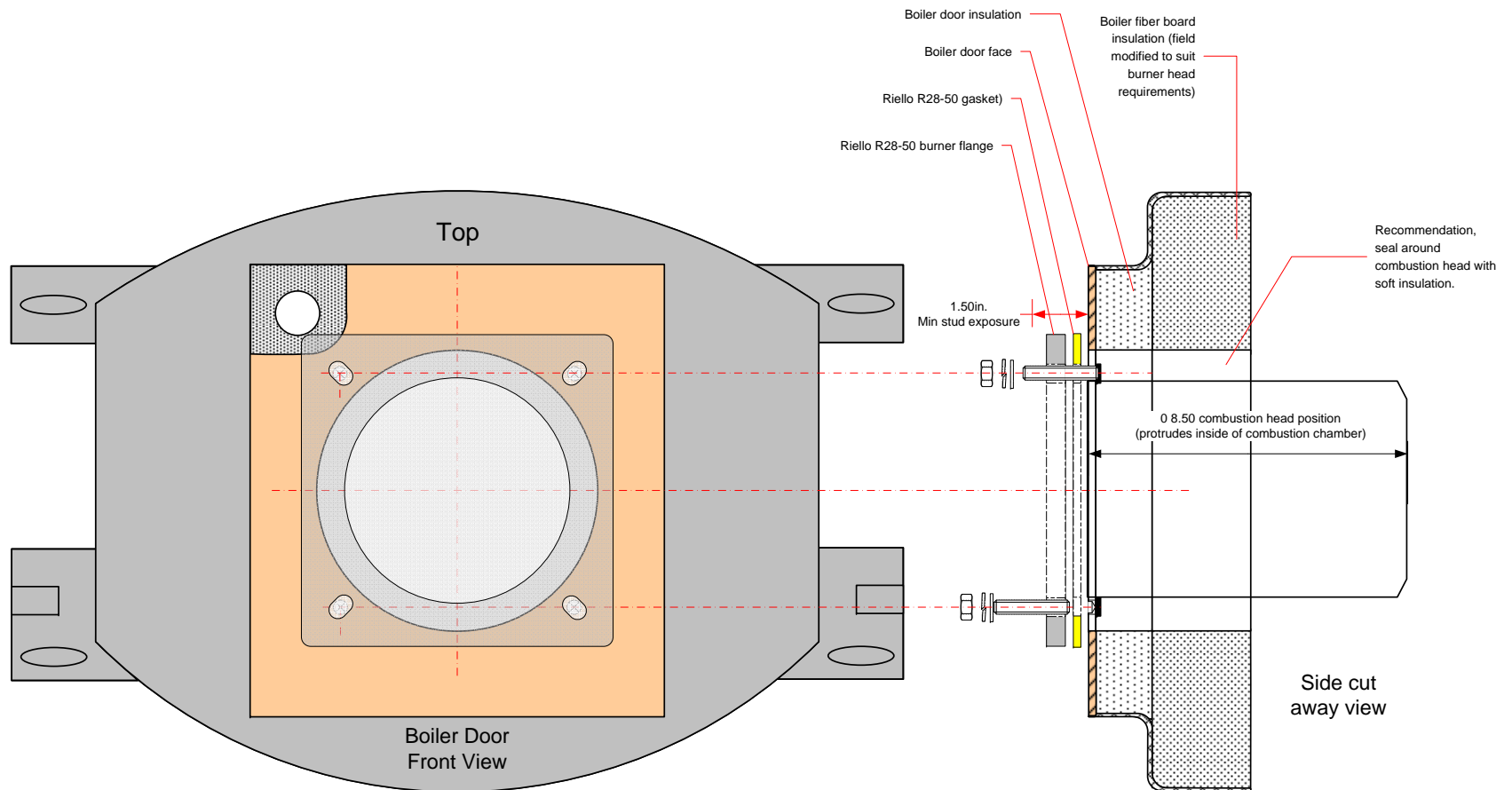
Riello R28 thru R50 burner mounting
on GT330A boiler door

Drawing Template [0]



DDR Americas Inc.
1090 Fountain Street North, Unit 10 & 11
Cambridge, Ontario N3E 1A3 – Canada
Tel: 1.800.943.6275 Fax: 519.650.1709
www.dedietrichboilers.com

Revisions		Description	Riello R28 thru R50 burner mounting detail on Modified GT330A BP114 Door (Reference only)					
Date	Description		Initial	Creator	Tolerances ±	Material	Scale	File Name
			Craig H.	0.03In./0.75mm	Cast iron/CRS	3 in = 1 ft.	2-300-RIE-001(b)	
			Approved	Units		Date [mm/dd/yy]	08/19/08	
			Revision	1	In./mm			



Drawing Template [0]



DDR Americas Inc.
 1090 Fountain Street North, Unit 10 & 11
 Cambridge, Ontario N3E 1A3 – Canada
 Tel: 1.800.943.6275 Fax: 519.650.1709
 www.dedietrichboilers.com

Revisions		Description	GT 330A BP114 door with Riello R28 thru 50 burner mounting (Final assembly drawing)					
Date	Description		Initial	Creator	Tolerances ±	Material	Scale	File Name
			Craig H.	0.03In./0.75mm	Cast iron/CRS			
			Approved	3 in = 1 ft.			2-300-RIE-001(c)	
			Revision	1	In./mm		08/19/08	