

Boiler Door

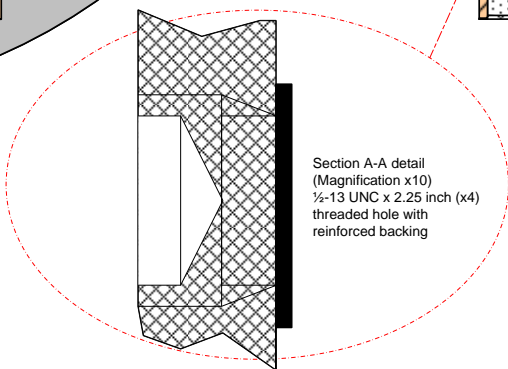
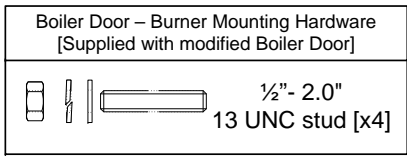
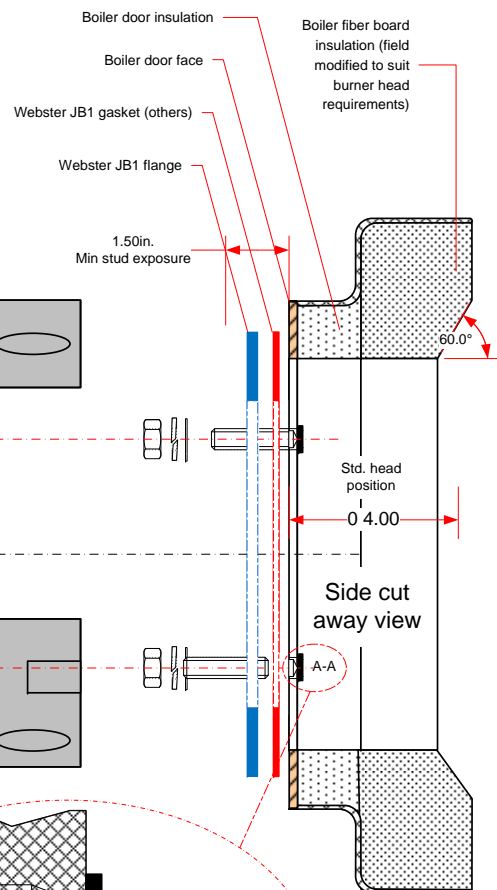
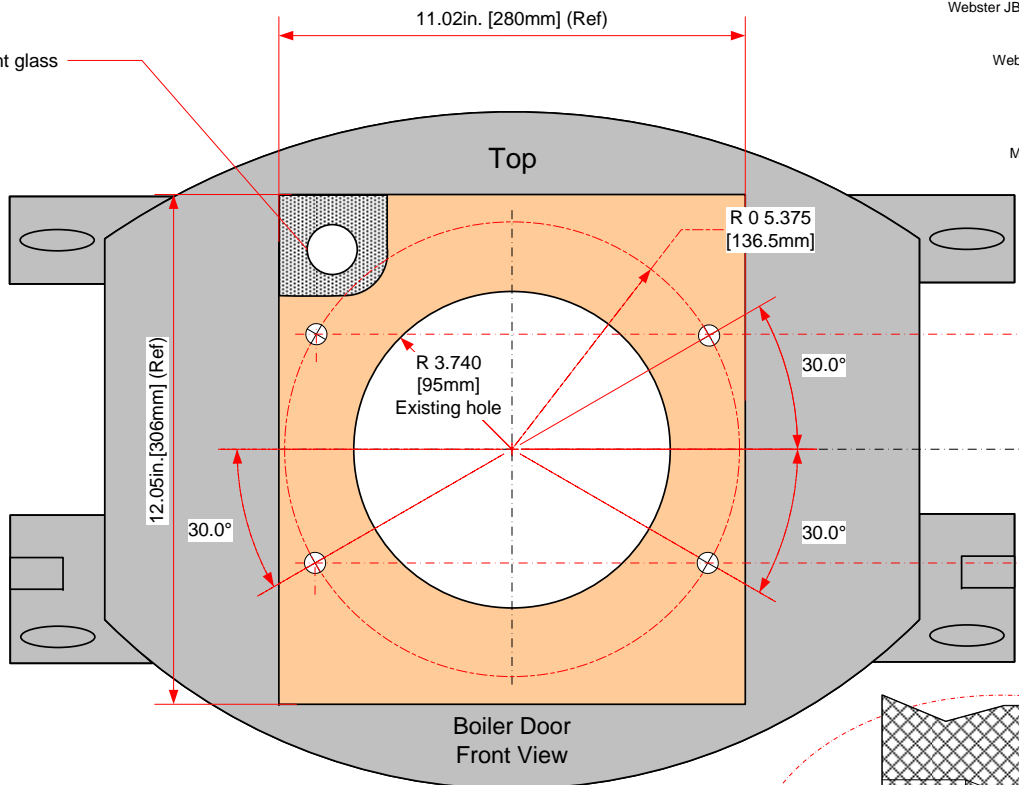
BP 114 Door Face

Burner Flange
[Supplied with Burner]

Burner Gasket
[Supplied with Burner]

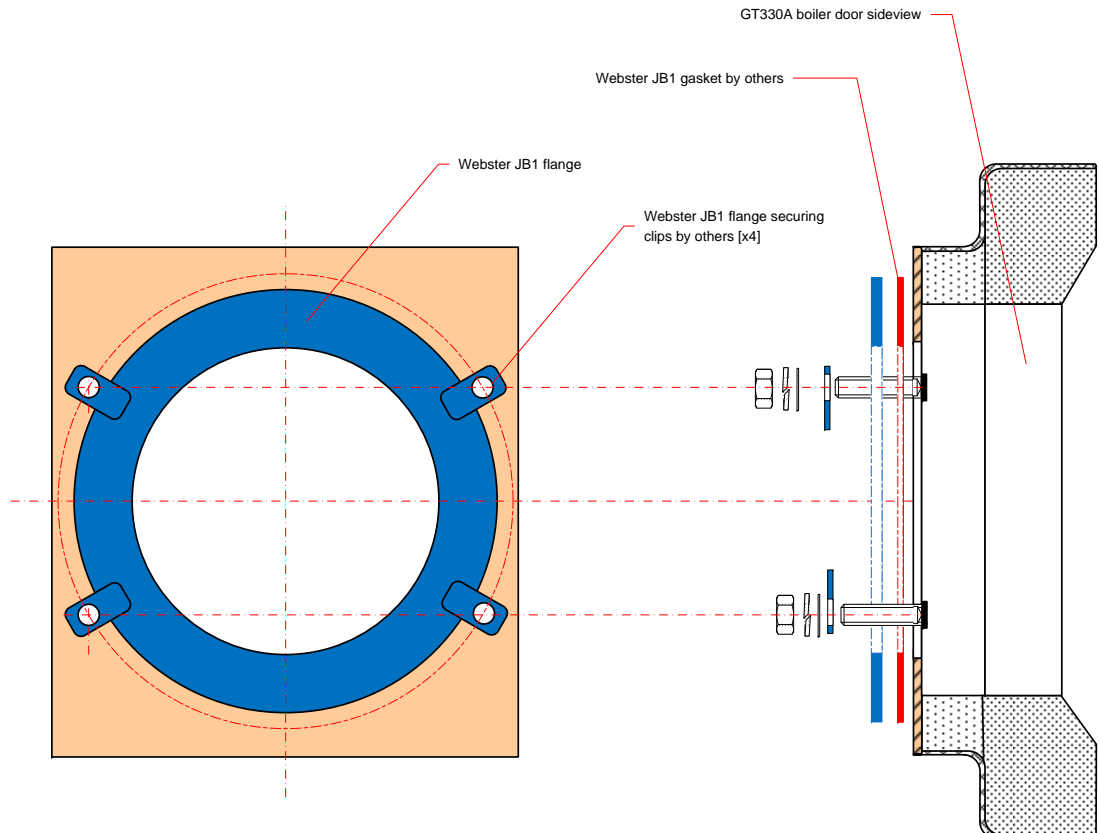
Vendor Notes	
1.	Modify GT 330A Door "BP 114" according to drawing
2.	Boiler door combustion head opening existing 7.48 In. [190mm], Webster JB1 burner requires combustion head diameter = 7 1/4 inch.
3.	Drill & tap door for 1/2"-13 UNC x 2.0 In. studs [x4]
4.	All studs to be reinforced at back with good mechanical means.
5.	Studs & hardware to be supplied with modified boiler door by vendor.
6.	Boiler door insulation to be modified and tapered to avoid flame impingement.

Standard BP 114 GT330A boiler door, colours used in drawing are for reference only



Drawing Template [0]			Revisions		GT 330A (BP 114) boiler door modifications for Webster JB1 burner				
	Date	Description	Initial	Description	Creator	Tolerances ±	Material	Cast iron/CRS	
	01/29/08	Detail added	CJH		Craig H.			File Name	2-300-WEB-001(a)
	08/18/08	Changed 90° BC to 30° BC	CJH		Approved	Scale	3 in = 1 ft.	Date [mm/dd/yy]	08/18/08
					Revision	Units	In./mm		

DDR Americas Inc.
1090 Fountain Street North, Unit 10 & 11
Cambridge, Ontario N3E 1A3 – Canada
Tel: 1.800.943.6275 Fax: 519.650.1709
www.dedietrichboilers.com

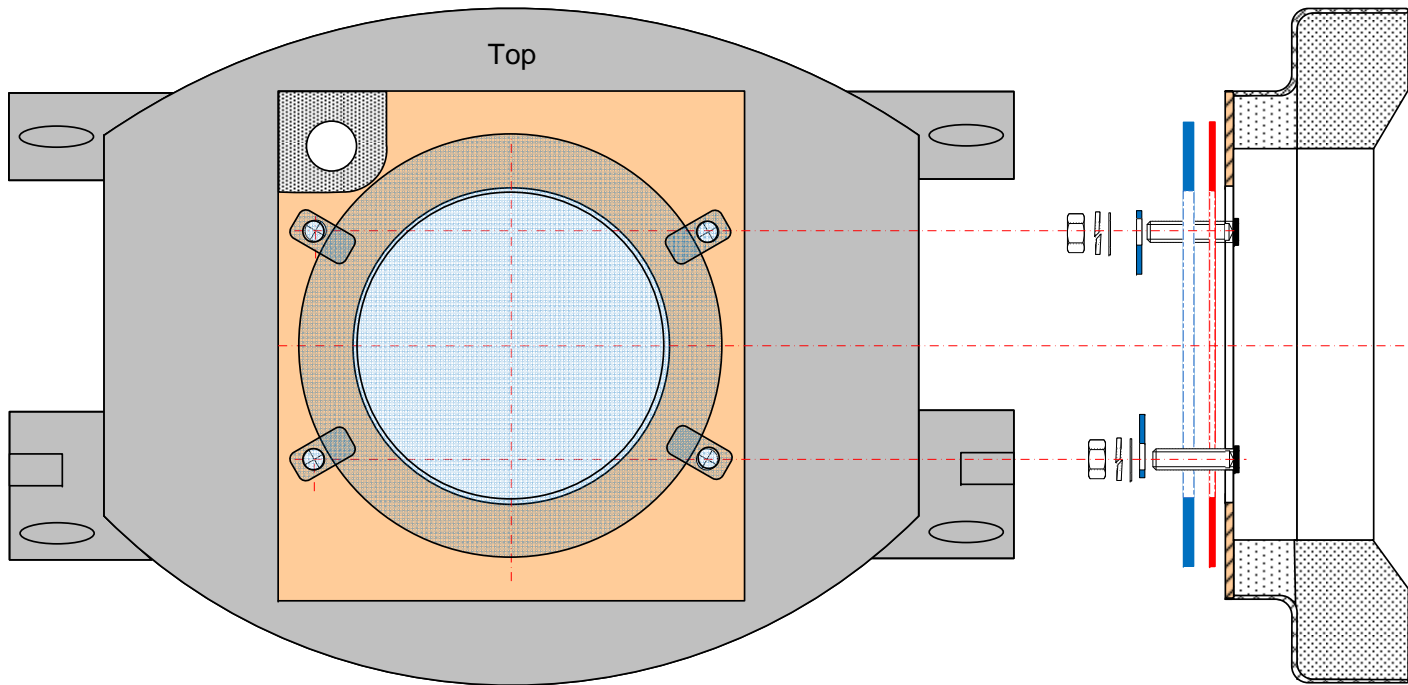


Webster JB1 burner mounting on GT330A boiler door


Drawing Template [0]	Revisions			Description	Webster JB1 mounting detail on Modified GT330A BP114 Door (Reference only)					
	Date	Description	Initial							
					Creator	Craig H.	Tolerances ±	0.03In./0.75mm	Material	Cast iron/CRS
					Approved		Scale	3 in = 1 ft.	File Name	2-300-WEB-001(b)
					Revision	2	Units	In./mm	Date [mm/dd/yy]	08/18/08

De Dietrich
BOILERS

DDR Americas Inc.
 1090 Fountain Street North, Unit 10 & 11
 Cambridge, Ontario N3E 1A3 – Canada
 Tel: 1.800.943.6275 Fax: 519.650.1709
 www.dedietrichboilers.com



Webster JB1 burner mounting on
GT330A boiler door

Drawing Template [0]				Revisions					Description		GT 330A BP114 door with Webster JB1 burner mounting (Final assembly drawing)			
	DDR Americas Inc. 1090 Fountain Street North, Unit 10 & 11 Cambridge, Ontario N3E 1A3 – Canada Tel: 1.800.943.6275 Fax: 519.650.1709 www.dedietrichboilers.com			Date	Description	Initial	Creator		Craig H.	Tolerances ±	0.03In./0.75mm	Material		Cast iron/CRS
							Approved			Scale	3 in = 1 ft.	File Name		2-300-WEB-001(c)
							Revision		2	Units	In./mm	Date [mm/dd/yy]		08/18/08