


**Vendor Notes**

1. Drill & tap door for 1/4" -20 x 1.25" counter sunk screws [x4] @ 8.5" BC

**Boiler Door  
Front View**

**Standard De Dietrich GT 300  
A/II Boiler Door BP 114  
Modifications**

Drawing Template [0]	<b>De Dietrich</b> 		Description				GT300A/II (BP114) boiler door modification for attaching OEM Weishaupt burner adapter plate	
	Flexible Eutectic Boilers Ltd. [North America] 1090 Fountain Street North, Unit 10 & 11 Cambridge, Ontario N3E 1A3 – Canada Tel: 1.800.943.6275 Fax: 519.650.1709 Website: www.dedietrich-northamerica.com		Creator	Craig H.	Tolerances ±	0.05"	Material	8219 - 8729
			Approved		Scale	3" = 1 ft.	File Name	2-300-WEI-001a[R2]
			Revision	2	Units	Inches	Date [mm/dd/yy]	10/03/07

**Mounting plate hardware**

Fixing plate to boiler door  
Counter sunk bolt  
¼" – 20 NC" x 0.75" [x4]



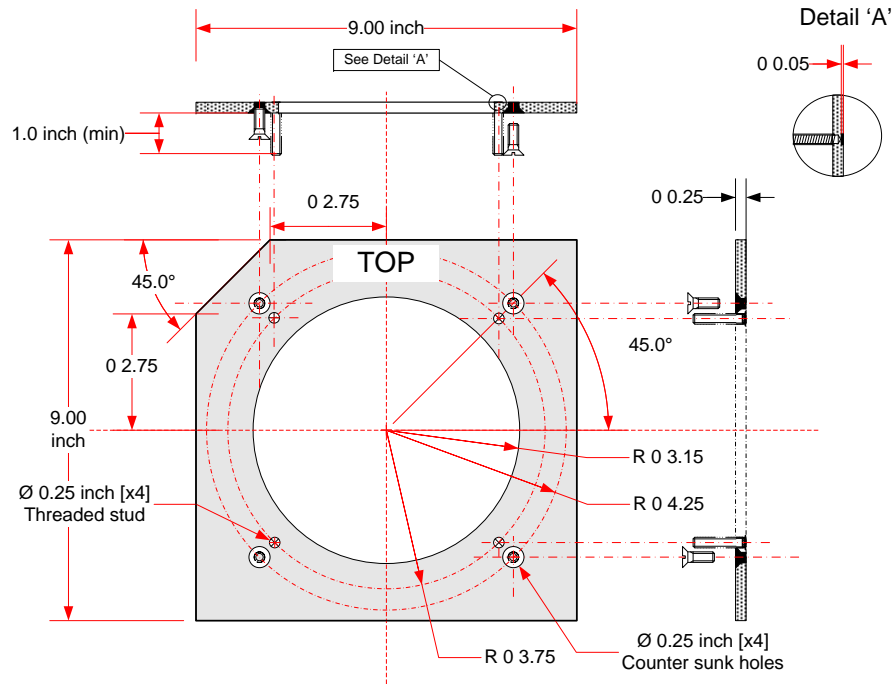
**Burner mounting hardware**

¼" - 20 x 1.25" [x4] Bolts  
C/w washer & nuts

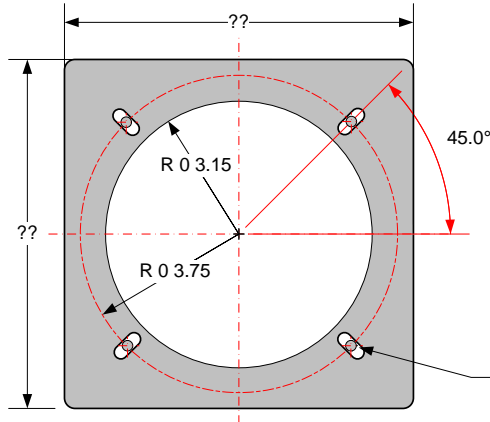


**Vendor Notes:**

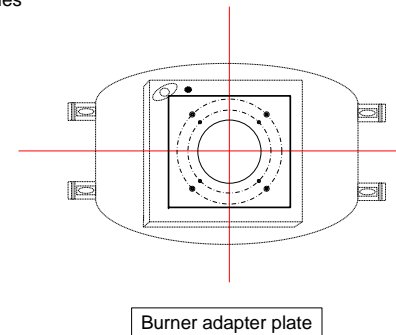
1. Supply and manufacture adapter plate as shown, no finish specified, adapter plate must be free of sharp edges and burrs.
2. Detail 'A' threaded stud backing to be reinforced with suitable method [weld fill, smooth surface]
6. Counter sunk holes be flush with plate.



**Weishaupt Burner Mounting Info.**

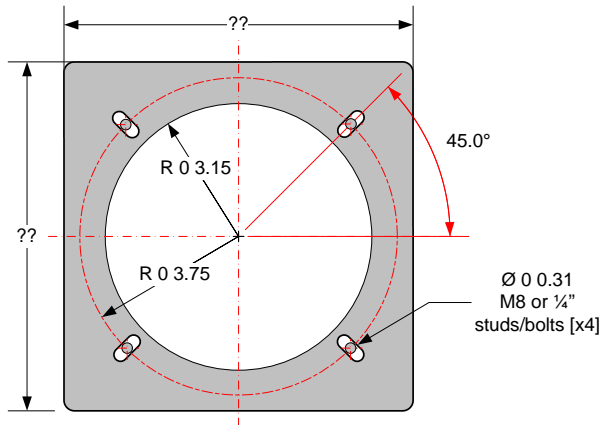


Weishaupt burner mounting		
Model	D3	D4
WL/WG40	7.3 – 7.9	6.3
D3 = Burner mounting Bolt center ø		
D4 = Combustion head hole ø		
All studs be to @ 45° BC		
Stud to be ¼" or M8 diameter x 1.25"		



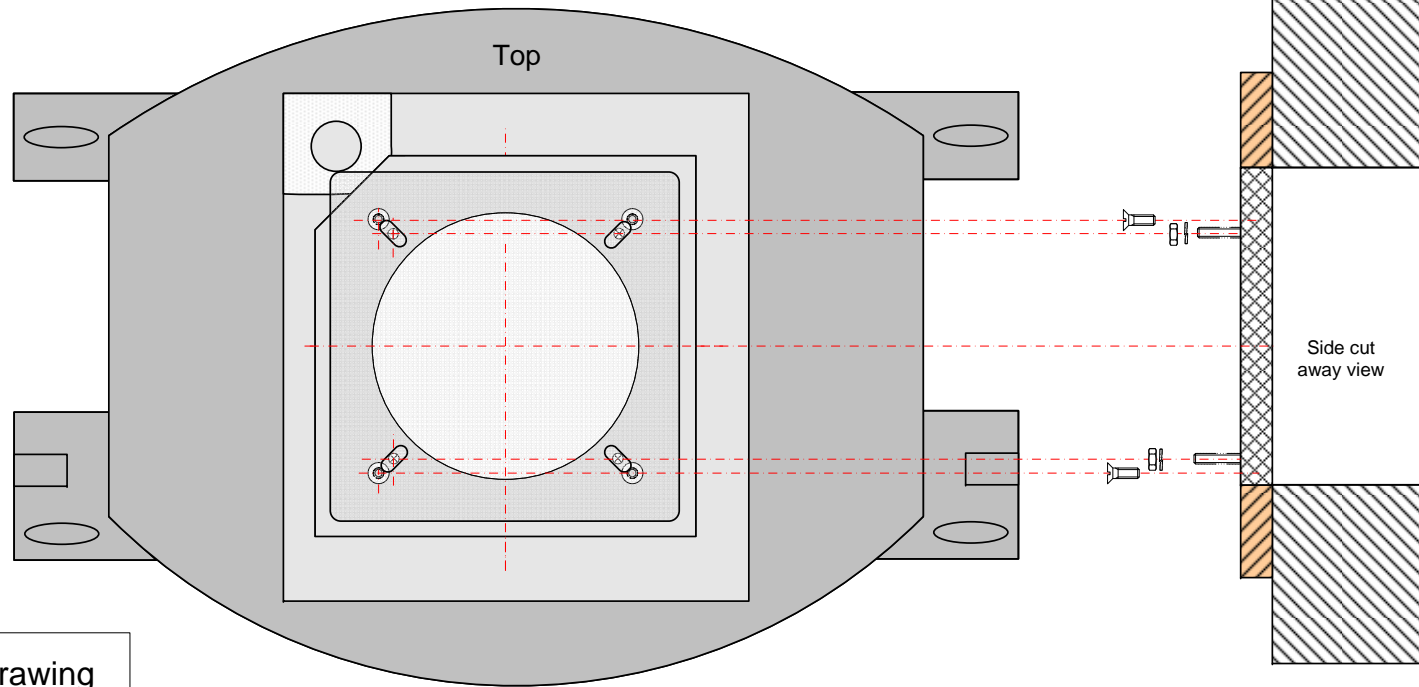
Revision:  
0 = original document  
1 = change name to include WG30 gas burner, change mounting plate adapter mounting bolt center from 4.23 to 4.25"

Drawing Template [0]	<b>De Dietrich</b>		Description				OEM Weishaupt burner adapter plate for GT300A/II (BP114) boiler door (see burner application chart)	
	Flexible Eutectic Boilers Ltd. [North America] 1090 Fountain Street North, Unit 10 & 11 Cambridge, Ontario N3E 1A3 – Canada Tel: 1.800.943.6275 Fax: 519.650.1709 Website: www.dedietrich-northamerica.com		Creator	Craig H.	Tolerances ±	0.03	Material	BP 114 door
			Approved		Scale	3" = 1ft.	File Name	2-300-WEI-001b[R2]
			Revision	2	Units	Inches	Date [mm/dd/yy]	10/03/07



### Weishaupt Burner Mounting Info.

Weishaupt burner mounting		
Model	D3	D4
WL/WG40	7.3 – 7.9	6.3
D3 = Burner mounting Bolt center $\varnothing$		
D4 = Combustion head hole $\varnothing$		
All studs be to @ 45° BC		
Stud to be 1/4" or M8 diameter x 1.25"		



Final Assembly Drawing

Drawing Template [0]			Description				OEM Weishaupt adapter plate and modified GT300A/II (BP114) door – final assembly drawings (see burner application chart)	
	Flexible Eutectic Boilers Ltd. [North America] 1090 Fountain Street North, Unit 10 & 11 Cambridge, Ontario N3E 1A3 – Canada Tel: 1.800.943.6275 Fax: 519.650.1709 Website: www.dedietrich-northamerica.com		Creator	Craig H.	Tolerances $\pm$	0.05"	Material	8219 - 8729
	Approved		Scale	3" = 1 ft.	File Name	2-300-WEI-001c[R2]		
	Revision	2	Units	Inches	Date [mm/dd/yy]	10/03/07		