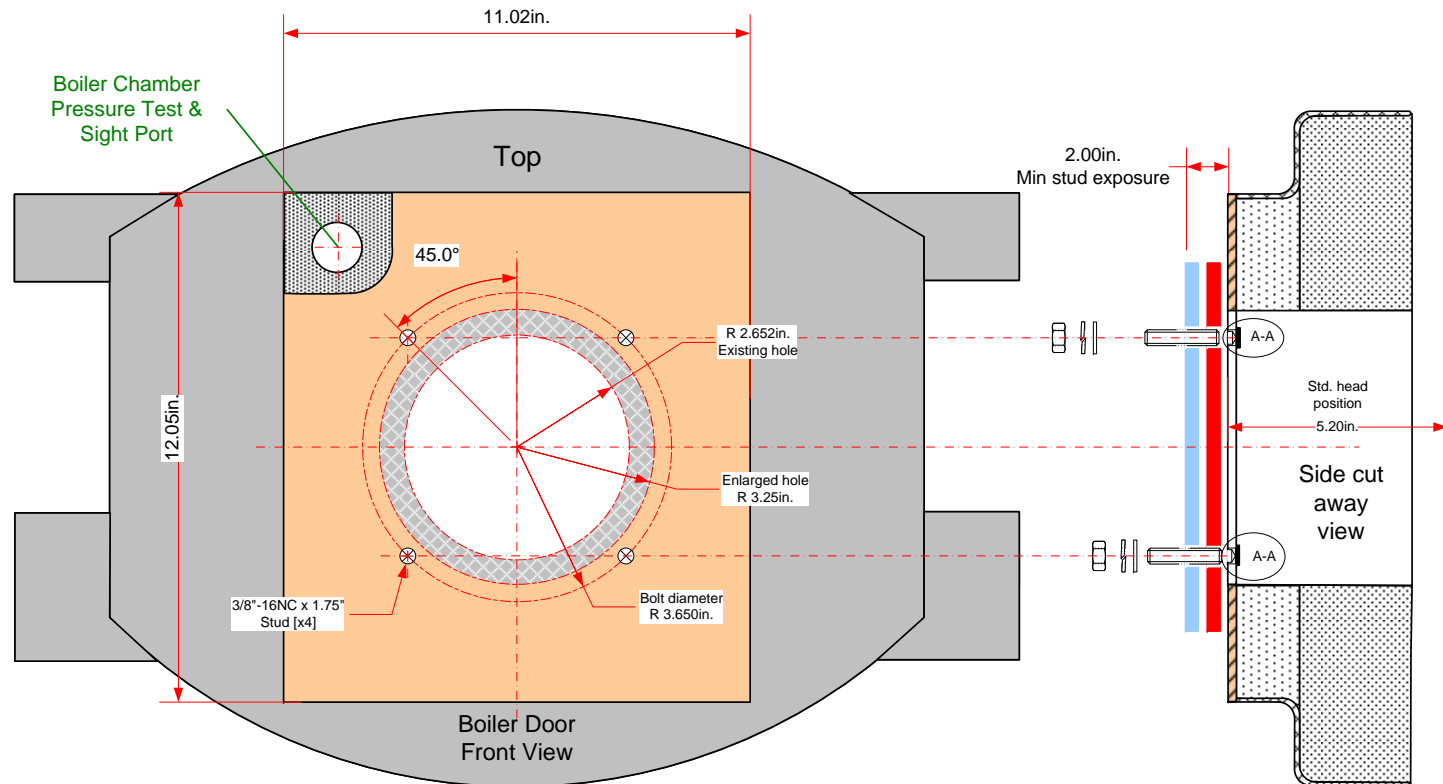


Vendor Notes
1. Modify GT 300 A/II Door "BP 114" according to drawing
2. Enlarge door opening from 5.31" [135mm] to 6.5" fit burner combustion head as required.
3. Drill & tap door for 3/8"-16 NC x 2.25" studs [x4] @ 7.3 inch bolt diameter
4. All studs to be reinforced at back with good mechanical means.
5. Studs & hardware as shown to be supplied with modified boiler door by vendor.
6. Boiler door insulation to be modified according to drawing.



Section A-A stud [x4], to be reinforced at backing

Standard De Dietrich GT 330A
Boiler Door BP 13 Modifications

Drawing Template [0]			Revisions		Description		GT330A boiler door BP 13 modified Weishaupt L-M Size 3 & WL/WG 40 & WM L10/2 & G10/2 burners										
	DDR Americas Inc. 1090 Fountain Street North, Unit 10 Cambridge, Ontario N3E 1A3 - Canada Tel: 1.800.943.6275 Fax: 519.650.1709 Website: www.dedietrichboilers.com		<table border="1"> <thead> <tr> <th>Description</th> <th>Initial</th> </tr> </thead> <tbody> <tr> <td>jun-08 r1</td> <td>Added WL/WG 40 CJH</td> </tr> <tr> <td>R2 08/11/08</td> <td>added WM G10/2 CJH</td> </tr> <tr> <td>R3 11/10/10</td> <td>Added WM-L10/2 CJH</td> </tr> </tbody> </table>	Description	Initial	jun-08 r1	Added WL/WG 40 CJH	R2 08/11/08	added WM G10/2 CJH	R3 11/10/10	Added WM-L10/2 CJH	Creator	Craig H.	Tolerances ±	± 0.03"	Material	Cast-CRS
	Description	Initial															
	jun-08 r1	Added WL/WG 40 CJH															
	R2 08/11/08	added WM G10/2 CJH															
R3 11/10/10	Added WM-L10/2 CJH																
		Approved		Scale	3" = 1 ft.	File Name	2-300-WEI-003										
		Revision	3	Units	Inches	Date [mm/dd/yy]	11/10/10										