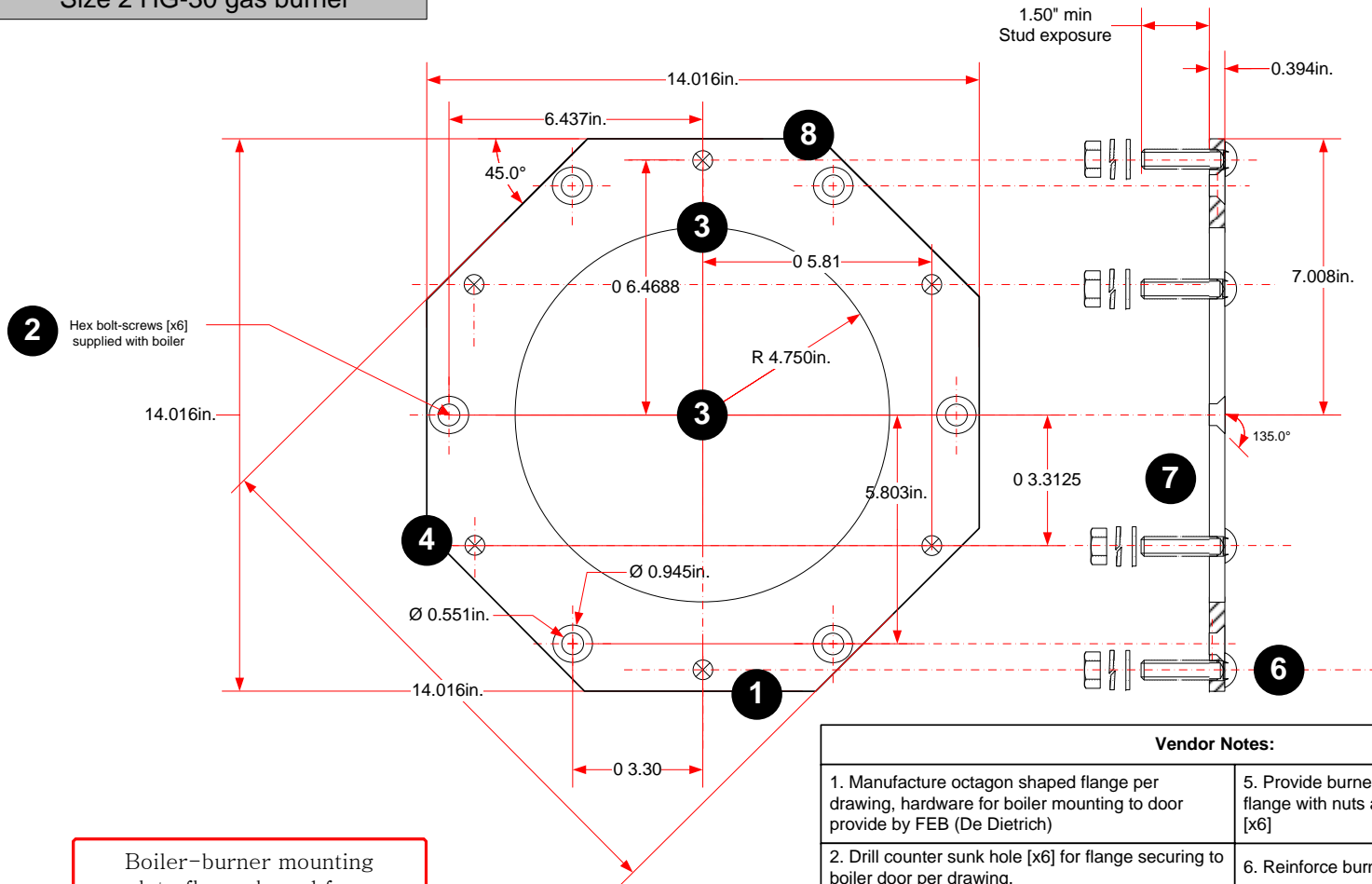


OEM GT400A Boiler Mounting Plate
Drawing for Industrial Combustion
Size 2 HG-30 gas burner



2 Hex bolt-screws [x6] supplied with boiler

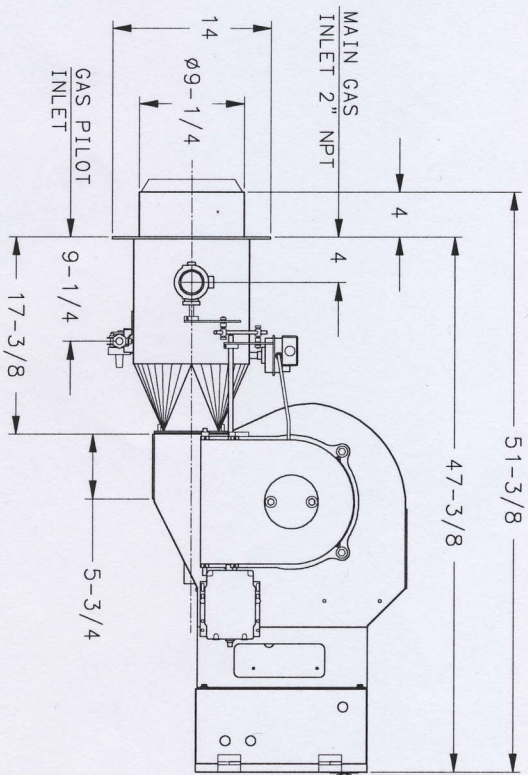
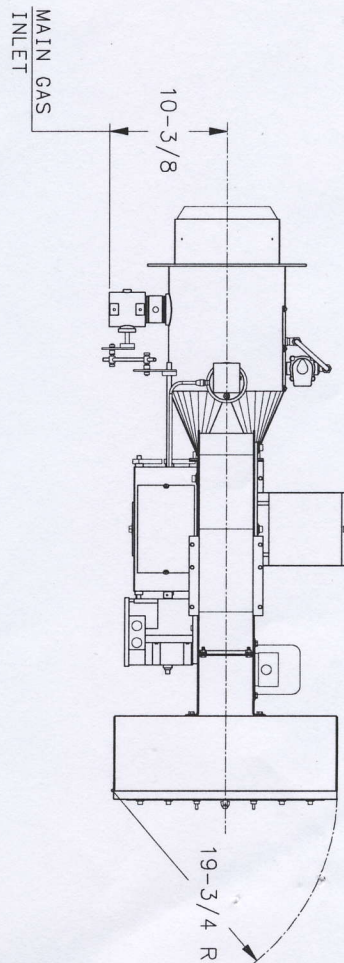
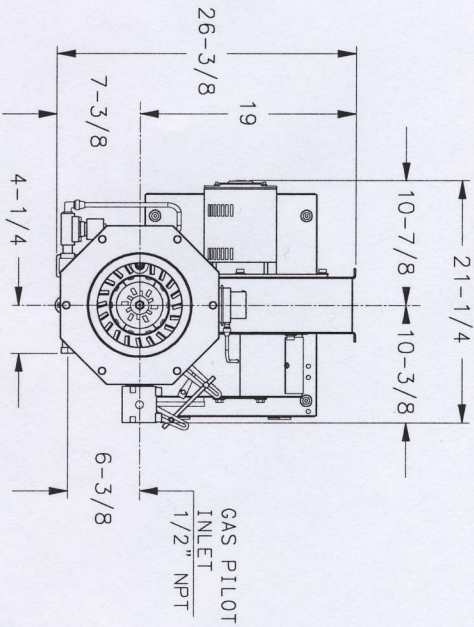
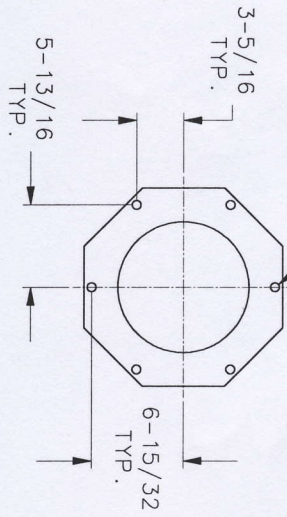
Boiler-burner mounting plate flange based from Industrial combustion drawing # 557-00207 RevA

| Vendor Notes: | |
|---|--|
| 1. Manufacture octagon shaped flange per drawing, hardware for boiler mounting to door provide by FEB (De Dietrich) | 5. Provide burner mounting stud threaded on flange with nuts and washers (locking & flat) [x6] |
| 2. Drill counter sunk hole [x6] for flange securing to boiler door per drawing. | 6. Reinforce burner studs at backing. |
| 3. Cut combustion head hole in center of flange per drawing. | 7. Octagon flange securing bolts provided by FEB-De Dietrich |
| 4. Drill and tap burner studs grade 5 minimum 3/8" x 2.0" 16 NC [x6]. | 8. No finish specified, flange and all work to be free of burrs and sharp edges.. |

| | | | | | | | | |
|----------------------|--|---|-------------|-----------|-----------------|---------------|--|-------------------|
| Drawing Template [0] | | | Description | | | | OEM GT400A boiler door burner mounting plate – Industrial Combustion Gas burner Model Size 2 HG-30 | |
| | Flexible Eutectic Boilers Ltd. [North America] 1090 Fountain Street North, Unit 10 & 11 Cambridge, Ontario N3E 1A3 – Canada Tel: 1.800.943.6275 Fax: 519.650.1709 Website: www.dedietrich-northamerica.com | | Creator | Craig H. | Tolerances ± | 0.03" | Material | CRS 316L or equal |
| | Approved | | Scale | 3" = 1ft. | File Name | 2-400-ICB-001 | | |
| | Revision | 0 | Units | Inches | Date [mm/dd/yy] | 07/13/07 | | |

(6) HOLES 5/8 DIA.
LOCATED AS SHOWN

BOLT PATTERN FOR
MOUNTING BURNER



| | | | | |
|--------------------------|--|-----------|---------------|----------------------------|
| DESIGN UNITS: INCH | THIS DRAWING IS A PROPRIETARY ITEM AND IS THE PROPERTY OF INDUSTRIAL COMBUSTION. IT IS FOR INFORMATION ONLY AND CAN NOT BE COPIED OR USED WITHOUT WRITTEN PERMISSION FROM INDUSTRIAL COMBUSTION. | RELEASE # | SO#46756 | INDUSTRIAL COMBUSTION, LLC |
| TOLERANCES UNLESS NOTED: | | DRAWN BY | DJM | |
| NO PLACE .X ±.100 | | DATE | 06/18/07 | |
| TWO PLACE .XX ±.030 | | REVIEW BY | DJM | |
| ONE PLACE .X ±.015 | | SIZE | D | |
| THREE PLACE .XXX ±.005 | | SCALE | 1:1 | |
| ANGLES .X ±.1° | | SHEET | 1 OF 1 | |
| THIRD ANGLE PROJECTION | | FINISH | TO BE 120 RMS | |