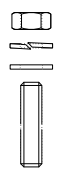

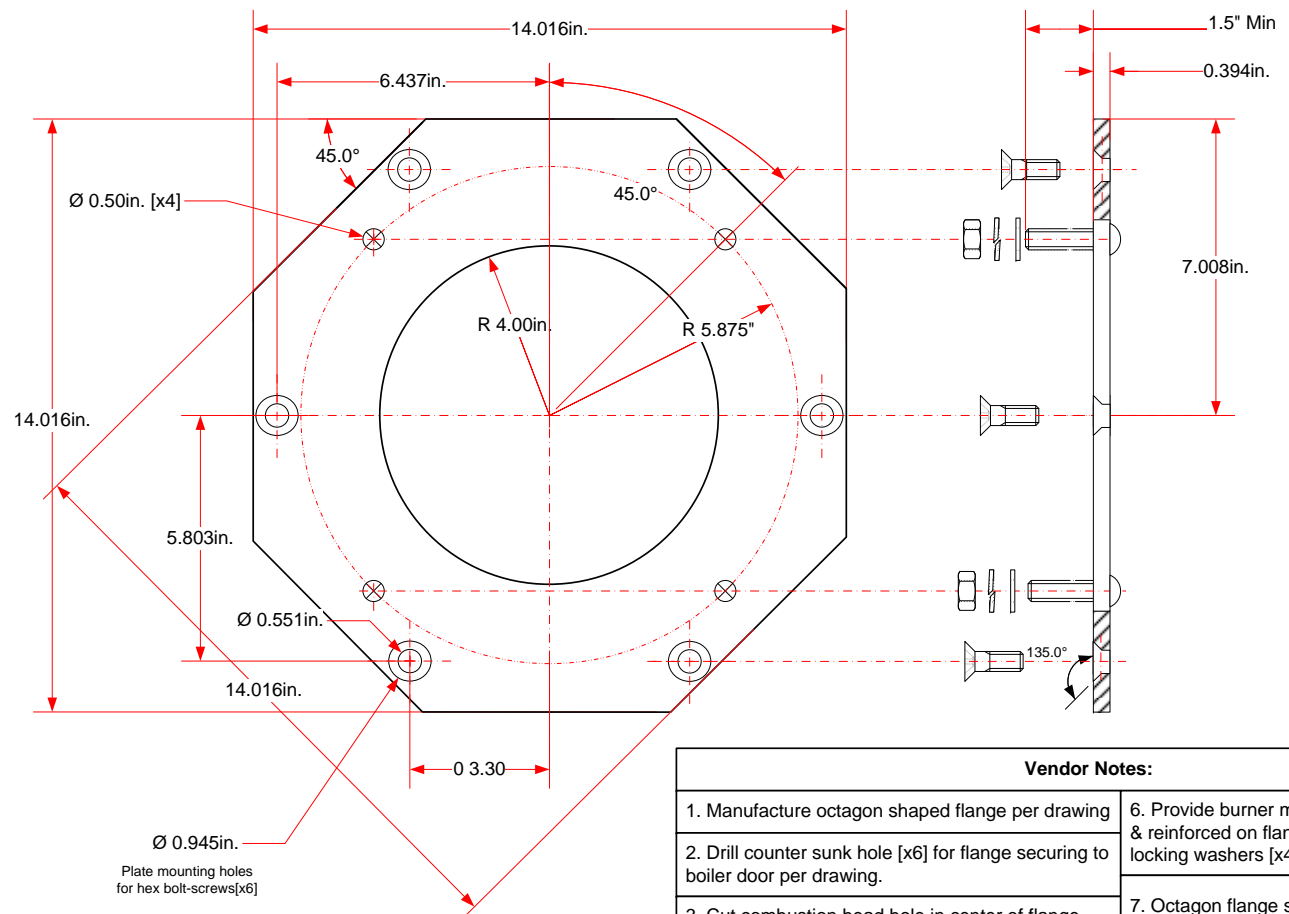


Boiler-Burner Adapter Flange Hardware

 1/2" x 2" 13-NC studs with nuts, flat & locking washer. [x4] supplied by vendor


Adapter flange hardware

 M12 hex bolt [x6] supplied by FEB_DDT in accessories pkg

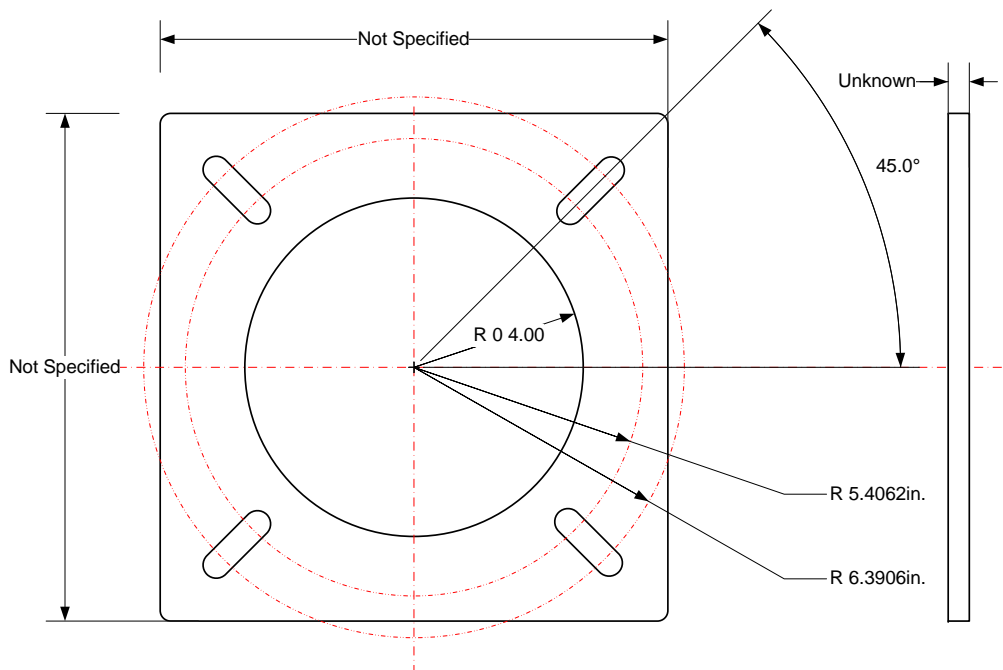


Vendor Notes:

| | |
|---|--|
| 1. Manufacture octagon shaped flange per drawing | 6. Provide burner mounting stud threaded & reinforced on flange with nuts and flat & locking washers [x4], |
| 2. Drill counter sunk hole [x6] for flange securing to boiler door per drawing. | 7. Octagon flange securing hex bolts [x6] provided by FEB-De Dietrich |
| 3. Cut combustion head hole in center of flange per drawing. | 8. No finish specified, flange and all work to be free of burrs and sharp edges.. |
| 4. Drill and tap burner studs 1/2" x 2" 13 NC [x4]. | |
| 5. Reinforce burner studs at backing. | |

Revisions:
 1 – Replacement of lost original document no major changes.

| | | | | | | | | |
|----------------------|--|--|-------------|----------|--------------|-----------|--|----------------|
| Drawing Template [0] | De Dietrich  | | Description | | | | OEM GT400 boiler door burner mounting plate – Riello R Series burners (RS-RL-RLS & LNOx Models 68-120) | |
| | Flexible Eutectic Boilers Ltd. [North America] 1090 Fountain Street North, Unit 10 & 11 Cambridge, Ontario N3E 1A3 – Canada Tel: 1.800.943.6275 Fax: 519.650.1709 Website: www.dedietrich-northamerica.com | | Creator | Craig H. | Tolerances ± | 0.03" | Material | CRS |
| | | | Approved | | Scale | 3" = 1ft. | File Name | 2-400-RIE-002a |
| | | | Revision | 1 | Units | Inches | Date [mm/dd/yy] | 09/04/2007 |



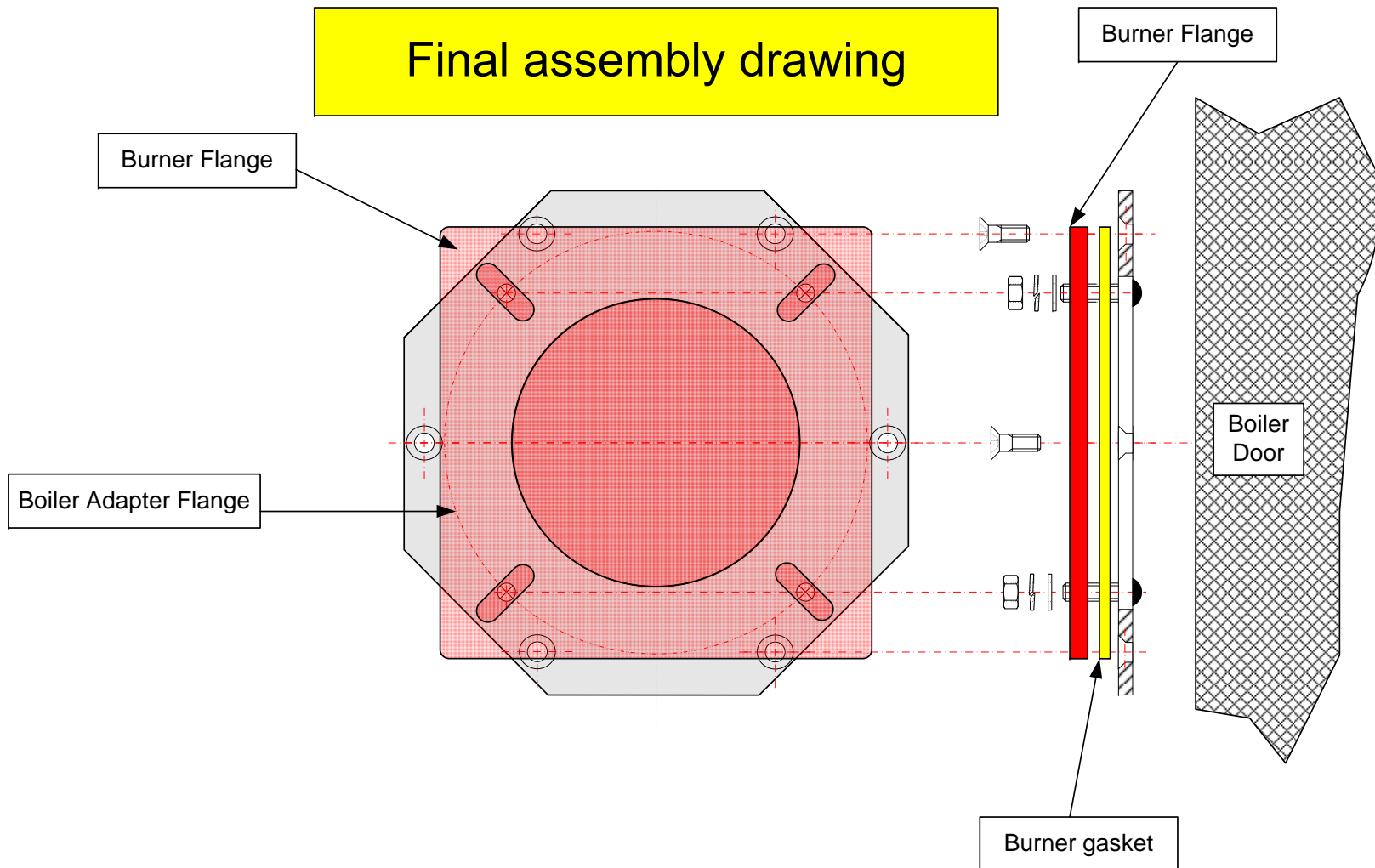
| Riello Burner | FUEL | A | B | C |
|---------------|---------|----------|-----------------------|------|
| RS 68/M LN | Gas | 7 11/16" | 10 13/16 - 12 25/32" | 1/2" |
| RS 70/M | Gas | 7 11/16" | 10 13/16 - 12 25/32" | 1/2" |
| RS 100/M | Gas | 7 11/16" | 10 13/16 - 12 25/32" | 1/2" |
| RS 120/M LN | Gas | 7 11/16" | 10 13/16 - 12 25/32" | 1/2" |
| RL 70/M | Oil | 7 9/32" | 10 27/32" - 12 25/32" | 1/2" |
| RL 100/M | Oil | 7 9/32" | 10 27/32" - 12 25/32" | 1/2" |
| RL 70/2 | Oil | 7 9/32" | 10 27/32" - 12 25/32" | 1/2" |
| RL 100/2 | Oil | 7 9/32" | 10 27/32" - 12 25/32" | 1/2" |
| RLS 70 | Oil-Gas | 7 9/32" | 10 27/32" - 12 25/32" | 1/2" |
| RLS 100 | Oil-Gas | 7 9/32" | 10 27/32" - 12 25/32" | 1/2" |

| Dimension |
|---|
| A – hole required for combustion head |
| B = burner flange oblong hole for burner mounting |
| C = Recommended stud diameter for burner mounting |


Riello burner mounting information

| | | | | | | | | |
|----------------------|--|---|-------------|-----------|-----------------|----------------|--|-----|
| Drawing Template [0] | De Dietrich | | Description | | | | Riello Burner mounting information R68-120 burners – use for designing burner mounting plate | |
| | Flexible Eutectic Boilers Ltd. [North America] 1090 Fountain Street North, Unit 10 & 11 Cambridge, Ontario N3E 1A3 – Canada Tel: 1.800.943.6275 Fax: 519.650.1709 Website: www.dedietrich-northamerica.com | | Creator | Craig H. | Tolerances ± | 0.03" | Material | CRS |
| | Approved | | Scale | 3" = 1ft. | File Name | 2-400-RIE-002b | | |
| | Revision | 1 | Units | Inches | Date [mm/dd/yy] | 09/04/2007 | | |

Final assembly drawing



Revisions:
1 – Replacement of lost original document no major changes.

| | | | | | | | |
|----------------------|--|----------|--|-----------|-----------------|----------------|--|
| Drawing Template [0] | De Dietrich  | | Description | | | | |
| | Flexible Eutectic Boilers Ltd. [North America] 1090 Fountain Street North, Unit 10 & 11 Cambridge, Ontario N3E 1A3 – Canada Tel: 1.800.943.6275 Fax: 519.650.1709 Website: www.dedietrich-northamerica.com | | OEM GT400 boiler door burner mounting plate – Riello R Series burners (RS-RL-RLS & LNOx Models 68-120) | | | | |
| | Creator | Craig H. | Tolerances ± | 0.03" | Material | CRS | |
| | Approved | | Scale | 3" = 1ft. | File Name | 2-400-RIE-002c | |
| | Revision | 1 | Units | Inches | Date [mm/dd/yy] | 09/04/2007 | |