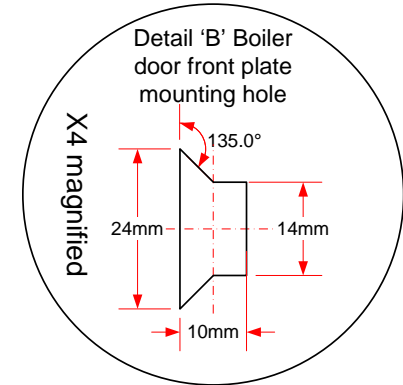
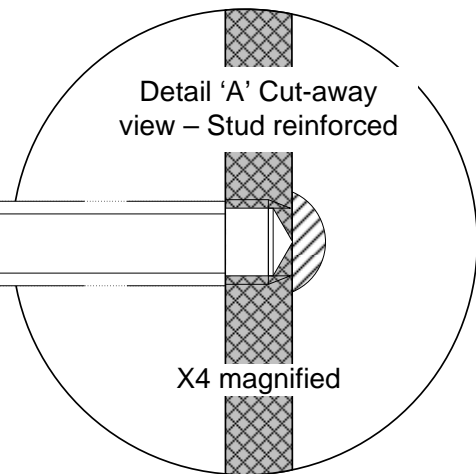
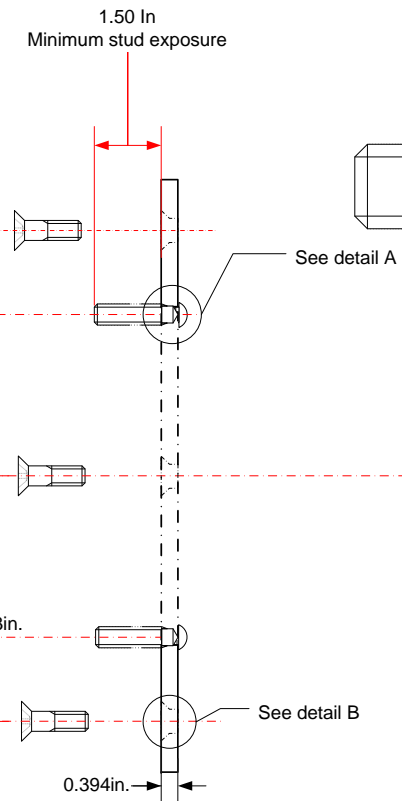
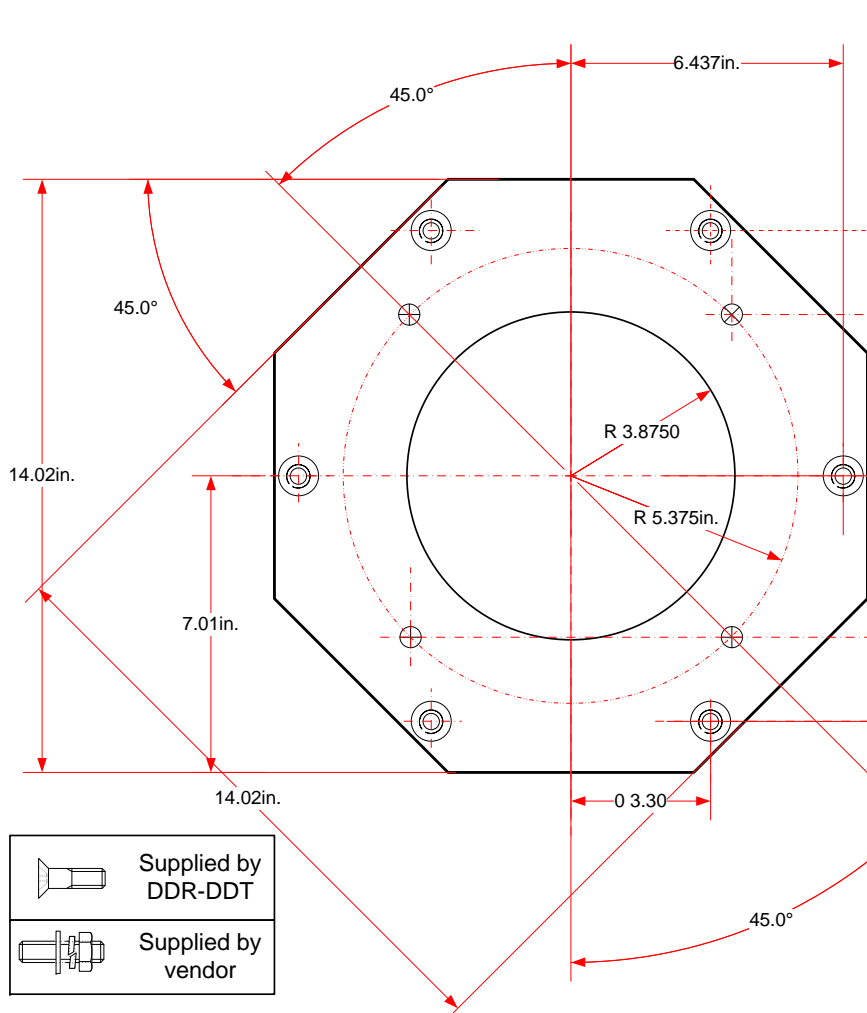


Webster JB1 mounting
reference 810085

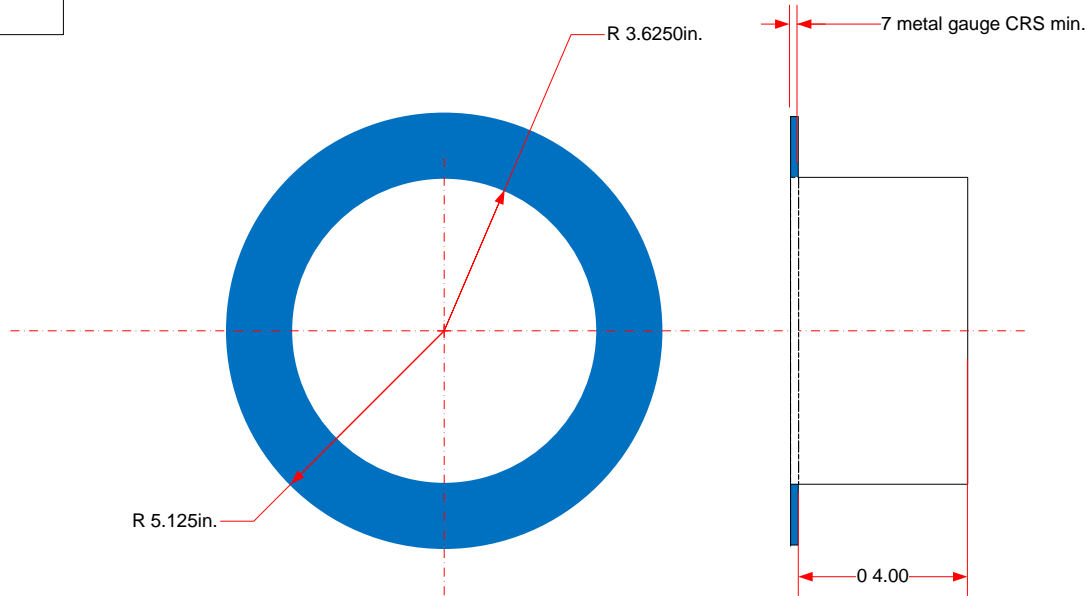


	Supplied by DDR-DDT
	Supplied by vendor

- Vendor:
1. Supply octagon shaped flange according to drawing
 2. Drill and tap holes for burner mounting
 3. install studs (1/2" 13-UNC x 2" studs) [x4]
 4. Reinforce studs at backing - by means of good engineering methods.
 5. Drill counter sunk hole for boiler front plate mounting to boiler door [x6]
 6. Do not finish - flange to be free of sharp edges or burrs
 7. Supply nuts, washer & locking washing for burner studs [x4]

Drawing Template [0]			Revisions		Description				
	DDR AMERICAS INC. 1090 Fountain Street North, Unit 10 & 11 Cambridge, Ontario N3E 1A3 - Canada Tel: 1.800.943.6275 Fax: 519.650.1709 Website: www.dedietrichboilers.com		Date	Description	Initial	OEM GT430A (Formerly GT400A) boiler door front plate for Webster JB1 burner			
	Creator	Craig H.	Tolerances ±	0.03"	Material	CRS			
	Approved		Scale	3" = 1 ft.	File Name	2-400-WEB-002a			
	Revision	0	Units	Inches - mm	Date [mm/dd/yy]	08/05/08			

Reference purposes – Webster
JB1 burner flange dimensions



Drawing Template [0]



DDR AMERICAS INC.
1090 Fountain Street North, Unit 10 & 11
Cambridge, Ontario N3E 1A3 – Canada
Tel: 1.800.943.6275 Fax: 519.650.1709
Website: www.dedietrichboilers.com

Revisions			Description	Webster JB1 burner flange drawing according to Webster drawing # 810085				
Date	Description	Initial		Creator	Tolerances ±	Material	CRS	
			Creator	Craig H.	0.03"	Material	CRS	
			Approved		Scale	3" = 1 ft.	File Name	2-400-WEB-002b
			Revision	0	Units	inches	Date [mm/dd/yy]	08/05/08

