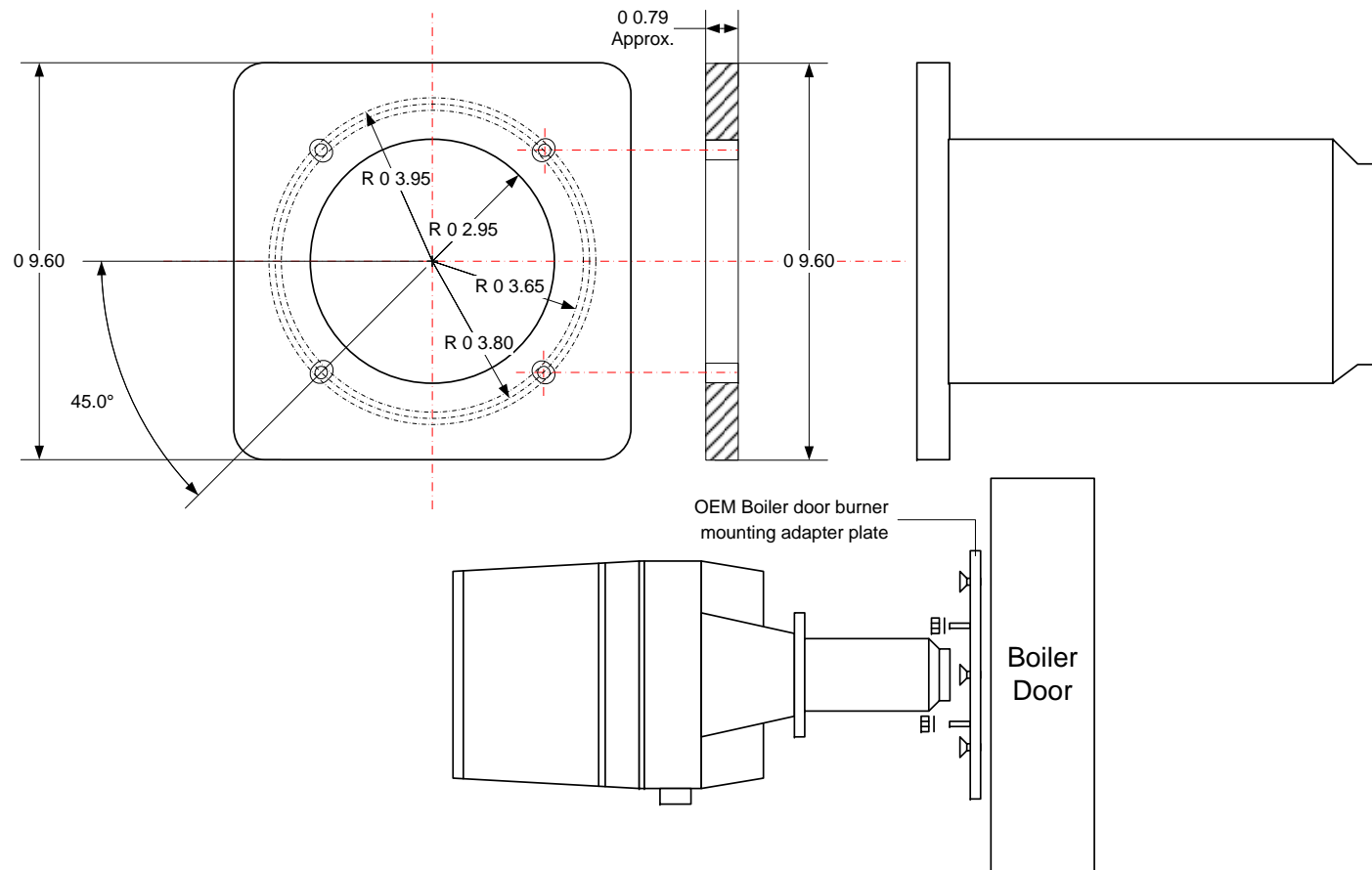


Rev 1.0 CJH (03-03-09)
increased stud length

Vendor Notes:	
1. Manufacture octagon shaped flange per drawing	6. Provide burner mounting stud threaded & reinforced on flange with nuts and washers [4].
2. Drill counter sunk hole [x6] for flange securing to boiler door per drawing.	7. Octagon flange securing bolts provide by FEB-De Dietrich
3. Cut combustion head hole in center of flange per drawing.	8. No finish specified, flange and all work to be free of burrs and sharp edges..
4. Drill and tap burner studs 3/8" x 2.25" 16 NC [x4].	
5. Reinforce burner studs at backing.	

Drawing Template [0]			Description				GT430A (formerly GT400A) mounting plate adapter for Weishaupt WL & WG 40 burner only	
	DDR Americas Inc. 1090 Fountain Street North, Unit 10 & 11 Cambridge, Ontario N3E 1A3 – Canada Tel: 1.800.943.6275 Fax: 519.650.1709 Website: www.dedietrichboilers.com		Creator	Craig H.	Tolerances ±	0.03"	Material	8229-0531
	Approved		Scale	3" = 1ft.	File Name	2-400-WEI-004a (R1)		
	Revision	1	Units	Inches	Date [mm/dd/yy]	03/03/09		



Drawing
Template [0]



Flexible Eutectic Boilers Ltd. [North America]
1090 Fountain Street North, Unit 10 & 11
Cambridge, Ontario N3E 1A3 – Canada
Tel: 1.800.943.6275 Fax: 519.650.1709
Website: www.dedietrich-northamerica.com

Description

OEM GT400A burner mounting plate adapter for Weishaupt WG40 gas burner

Creator

Craig H.

Tolerances ±

0.03"

Material

Steel 304L-H

Approved

Scale

3" = 1ft.

File Name

2-400-WEI-004b

Revision

0

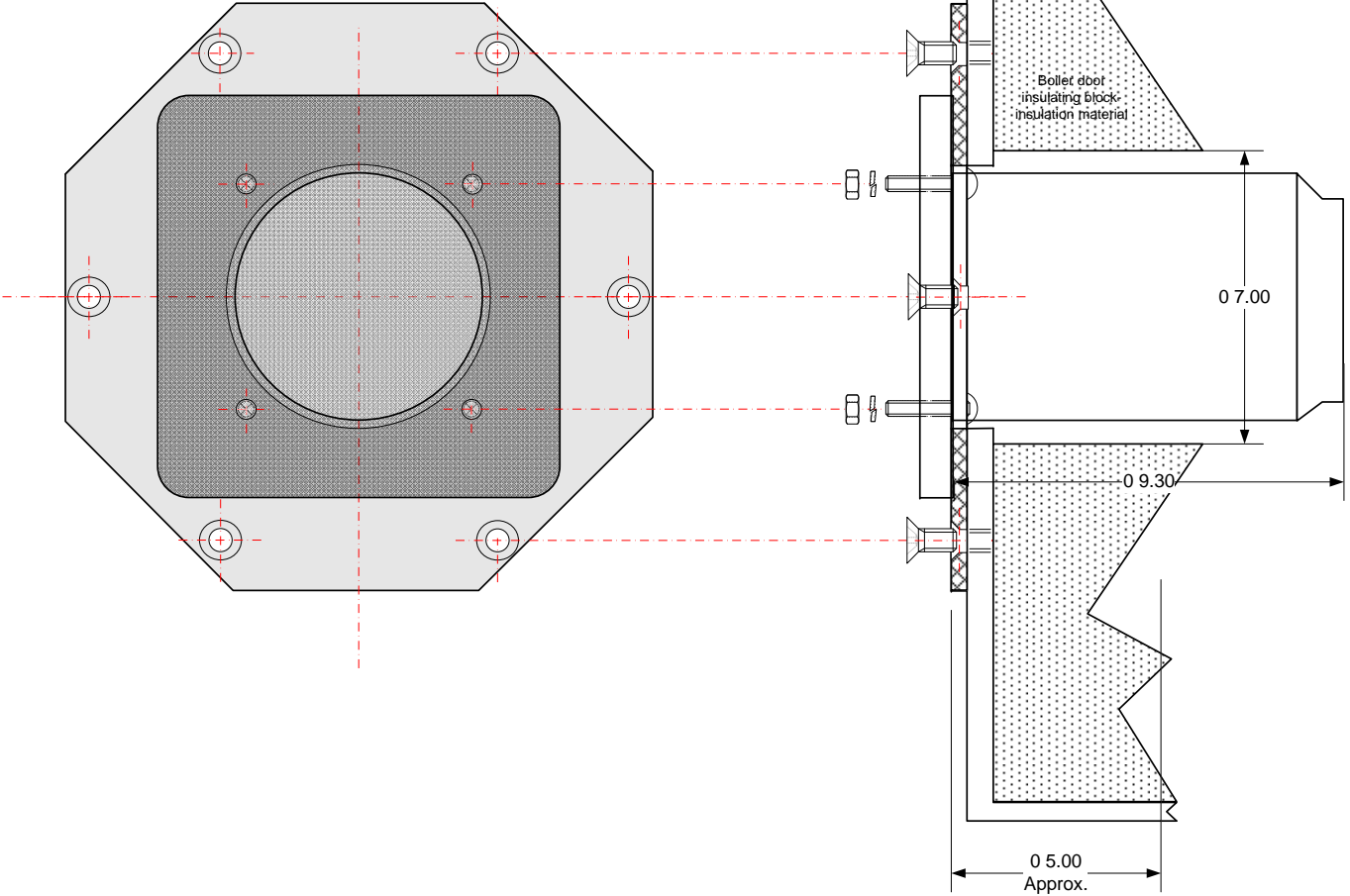
Units


Inches

Date [mm/dd/yy]

05/10/07

Final Assembly –
 boiler octagon adapter plate with Weishaupt
 WG40 burner flange – Insulating material does
 not need to be modified as combustion
 protrudes into chamber past door and insulation



Drawing Template [0]	De Dietrich 		Description				OEM GT400A burner mounting plate adapter for Weishaupt WG40 gas burner	
	Flexible Eutectic Boilers Ltd. [North America] 1090 Fountain Street North, Unit 10 & 11 Cambridge, Ontario N3E 1A3 – Canada Tel: 1.800.943.6275 Fax: 519.650.1709 Website: www.dedietrich-northamerica.com		Creator	Craig H.	Tolerances ±	0.03"	Material	8229-0531
			Approved		Scale	3" = 1ft.	File Name	2-400-WEI-004c
			Revision	0	Units	Inches	Date [mm/dd/yy]	05/10/07