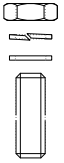


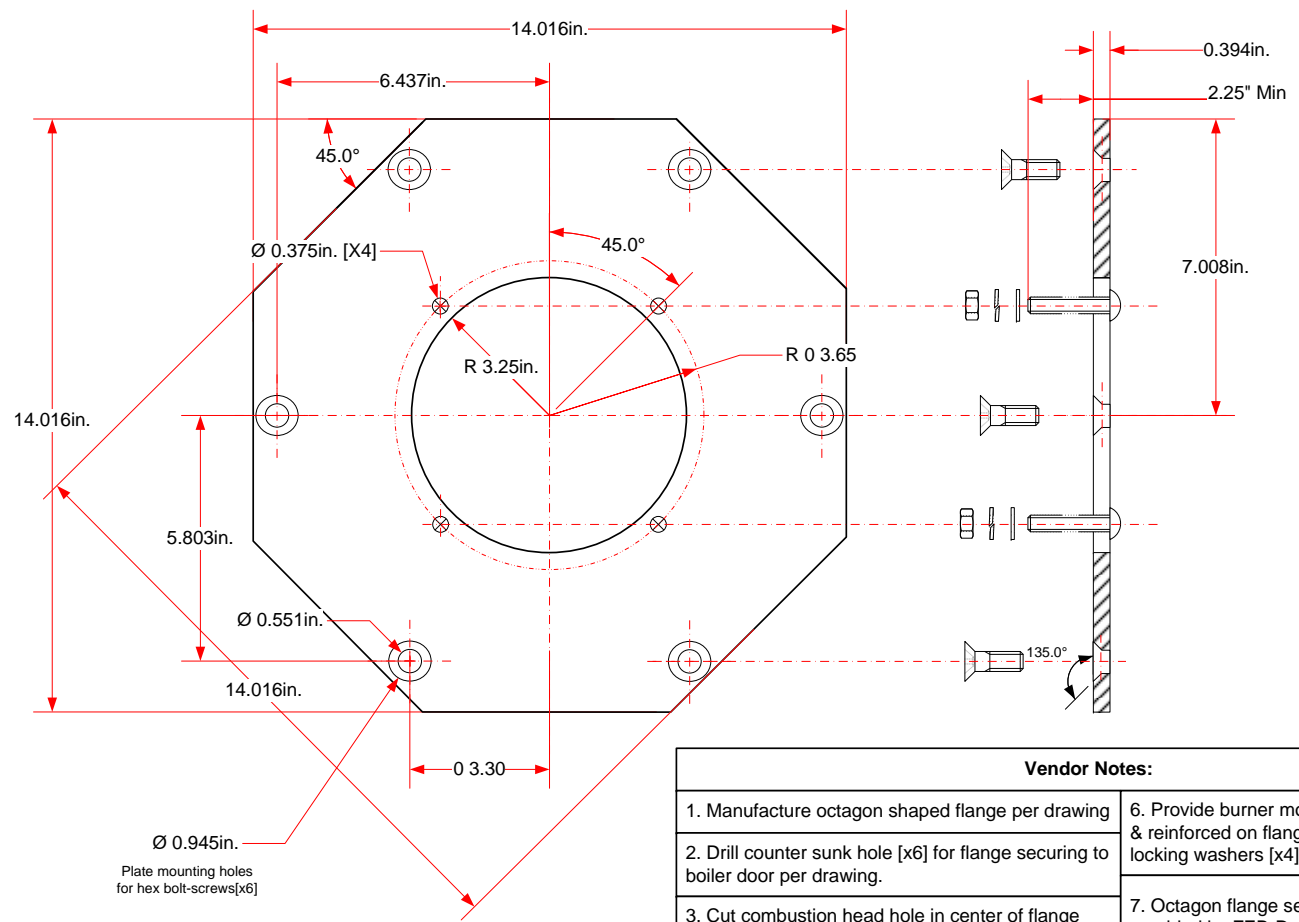
Boiler-Burner Adapter Flange Hardware

3/8" x 2.75 x " 16-NC studs with, flat & locking washer. [x4] supplied by vendor



Adapter flange hardware

M12 hex bolt [x6] supplied by FEB_DDT in accessories pkg

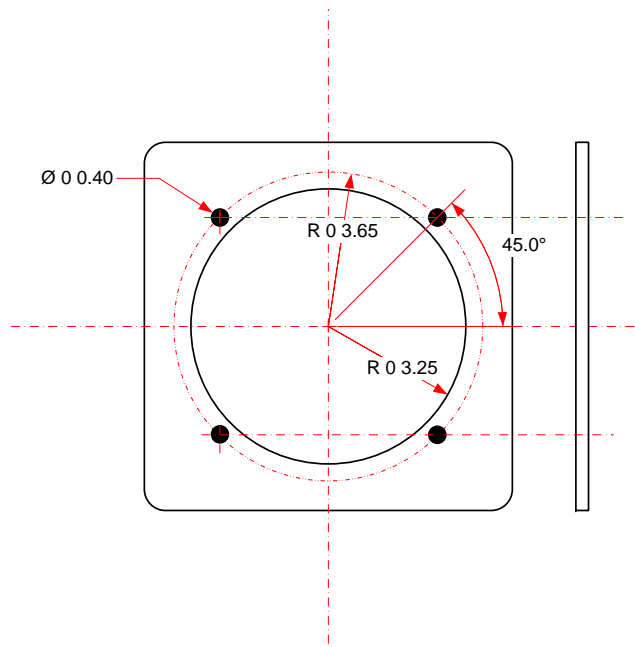



| Vendor Notes: | |
|---|--|
| 1. Manufacture octagon shaped flange per drawing | 6. Provide burner mounting stud threaded & reinforced on flange with nuts and flat & locking washers [x4], |
| 2. Drill counter sunk hole [x6] for flange securing to boiler door per drawing. | 7. Octagon flange securing hex bolts [x6] provided by FEB-De Dietrich |
| 3. Cut combustion head hole in center of flange per drawing. | 8. No finish specified, flange and all work to be free of burrs and sharp edges.. |
| 4. Drill and tap burner studs 3/8" x 2.75" 16 NC [x4]. | |
| 5. Reinforce burner studs at backing. | |

Drawing Template [0]

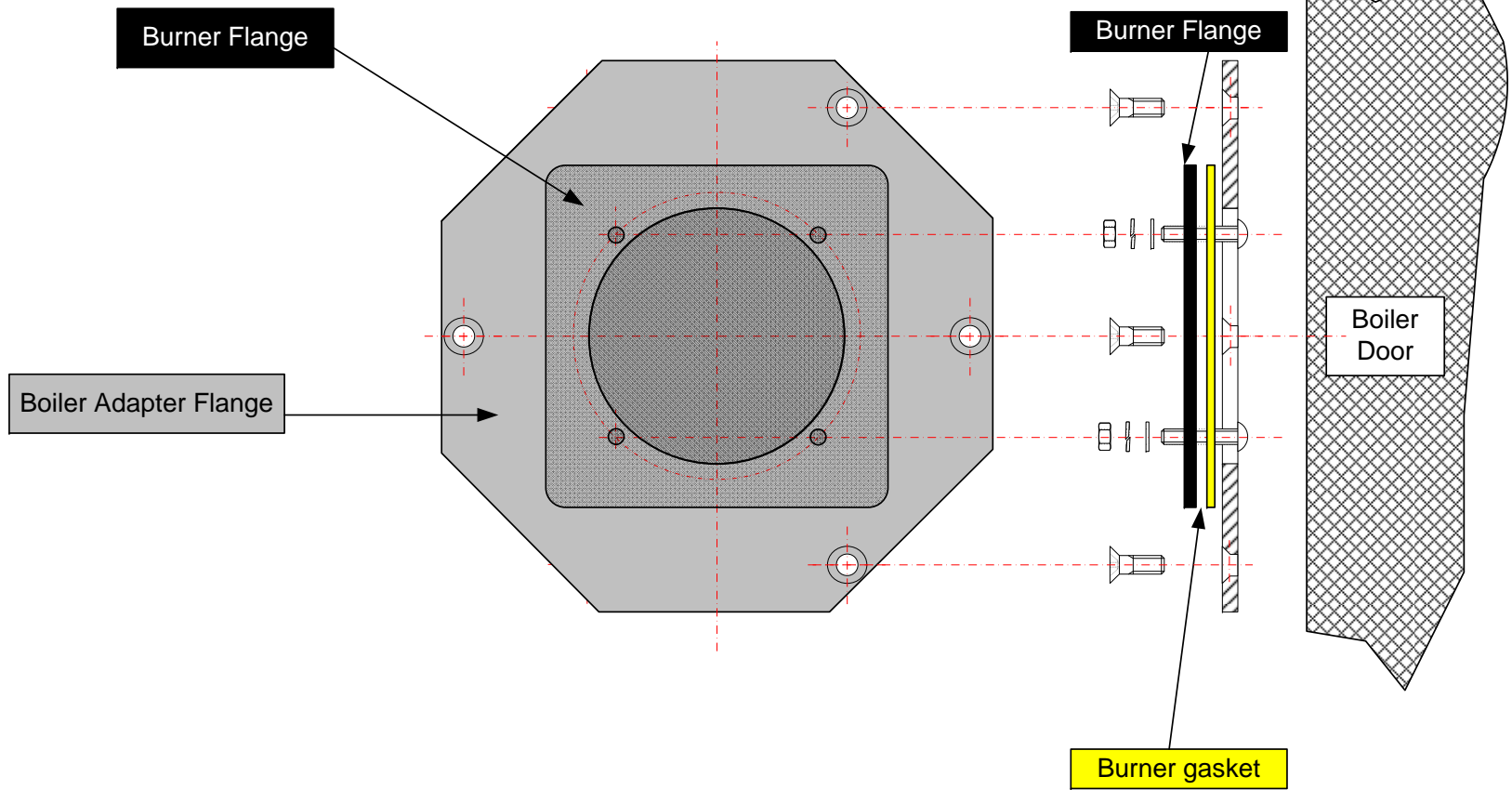
De Dietrich
 DDR Americas Inc.
 1090 Fountain Street North, Unit 10 & 11
 Cambridge, Ontario N3E 1A3 – Canada
 Tel: 1.800.943.6275 Fax: 519.650.1709
 Website: www.dedietrichboilers.com


| | | | | | | |
|-------------|----------|---|-----------|-----------------|---------------------|--|
| Description | | OEM GT400 boiler door burner mounting plate – Weishaupt L-M & RL Sizes 3, WL/G 30, WM L10/2, WM G10/2 | | | | |
| Creator | Craig H. | Tolerances ± | 0.03" | Material | CRS | |
| Approved | | Scale | 3" = 1ft. | File Name | 2-400-WEI-005a (R1) | |
| Revision | 1 | Units | Inches | Date [mm/dd/yy] | 03/03/09 | |



| | | | | | | | |
|----------------------|--|-------------|----------|--|-----------|-----------------|----------------|
| Drawing Template [0] | De Dietrich  | Description | | Weishaupt L-M & RL Size 3 burner flange – not exactly as shown | | | |
| | Flexible Eutectic Boilers Ltd. [North America] 1090 Fountain Street North, Unit 10 & 11 Cambridge, Ontario N3E 1A3 – Canada Tel: 1.800.943.6275 Fax: 519.650.1709 Website: www.dedietrich-northamerica.com | Creator | Craig H. | Tolerances \pm | 0.03" | Material | CRS |
| | | Approved | | Scale | 3" = 1ft. | File Name | 2-400-WEI-005b |
| | | Revision | 0 | Units | Inches | Date [mm/dd/yy] | 09/04/2007 |

Final assembly drawing



| | | | | | | | | |
|----------------------|--|---|---|-----------|-----------------|----------------|----------|-----|
| Drawing Template [0] | De Dietrich  | | Description Final assembly drawing – OEM GT400A boiler door adapter plate for Weishaupt L-M & RL Size 3 burner only | | | | | |
| | Flexible Eutectic Boilers Ltd. [North America] 1090 Fountain Street North, Unit 10 & 11 Cambridge, Ontario N3E 1A3 – Canada Tel: 1.800.943.6275 Fax: 519.650.1709 Website: www.dedietrich-northamerica.com | | Creator | Craig H. | Tolerances ± | 0.03" | Material | CRS |
| | Approved | | Scale | 3" = 1ft. | File Name | 2-400-WEI-005c | | |
| | Revision | 0 | Units | Inches | Date [mm/dd/yy] | 09/04/2007 | | |