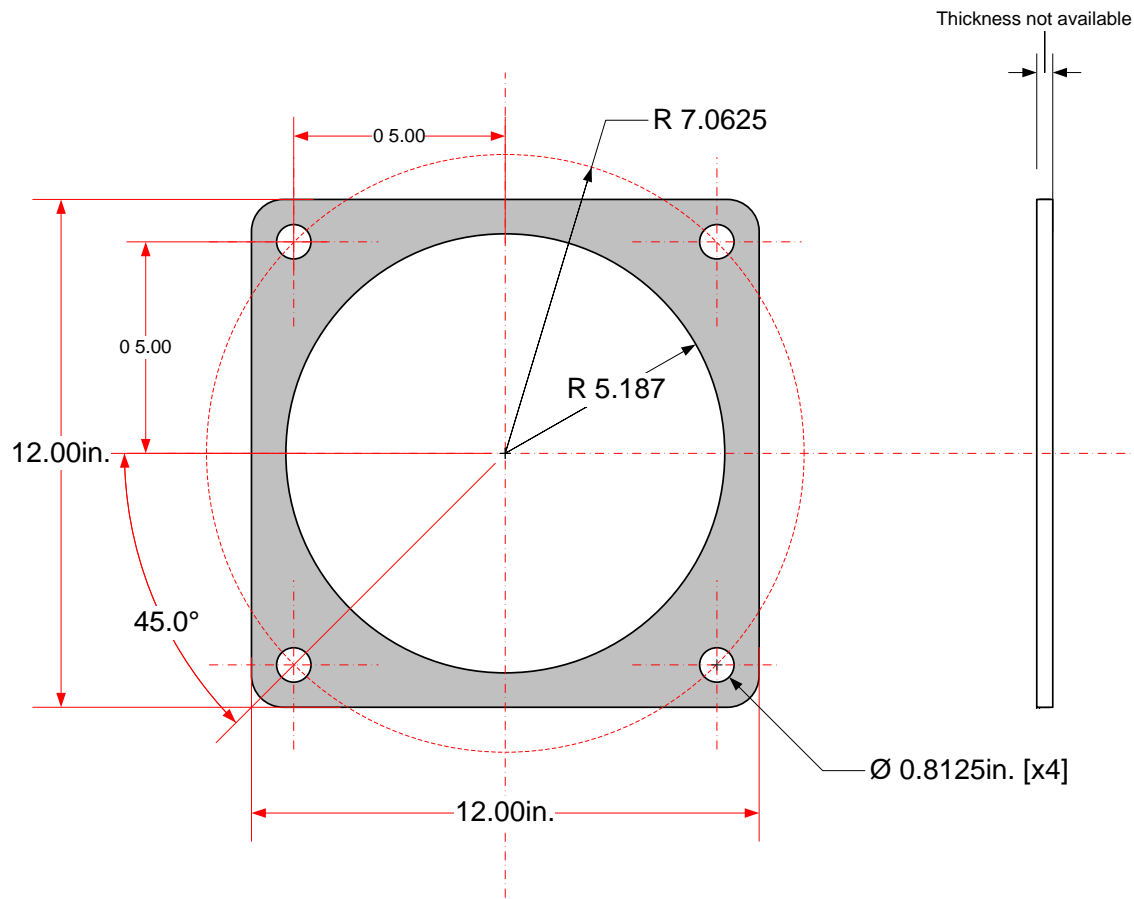



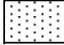
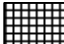

- Vendor Notes:**
1. Cut hole in boiler door 10.75 inches for Fuel Master burner CRG-125
  2. Drill & tap 1/2" -13 NC x 2.0 inch [x4] studs [burner mounting] per drawing
  3. Reinforce studs at backing, by good engineering method
  4. Provide all hardware [studs mounted, nuts and washer]
  5. All work to be free of burrs and sharp edges, finish not specified

Drawing Template [0]	<b>De Dietrich</b>		Description					OEM GTE 500 A boiler-Burner mounting door – for Pental Fuel Master CG-125 gas burner.	
	Flexible Eutectic Boilers Ltd. [North America] 1090 Fountain Street North, Unit 10 & 11 Cambridge, Ontario N3E 1A3 – Canada Tel: 1.800.943.6275 Fax: 519.650.1709 Website: www.dedietrich-northamerica.com		Creator	Craig H.	Tolerances ±	0.03"	Material	8259-0538	
			Approved		Scale	3" = 1 ft.	File Name	2-500-FMB-001a	
			Revision	0	Units	Inches	Date [mm/dd/yy]	05/08/07	

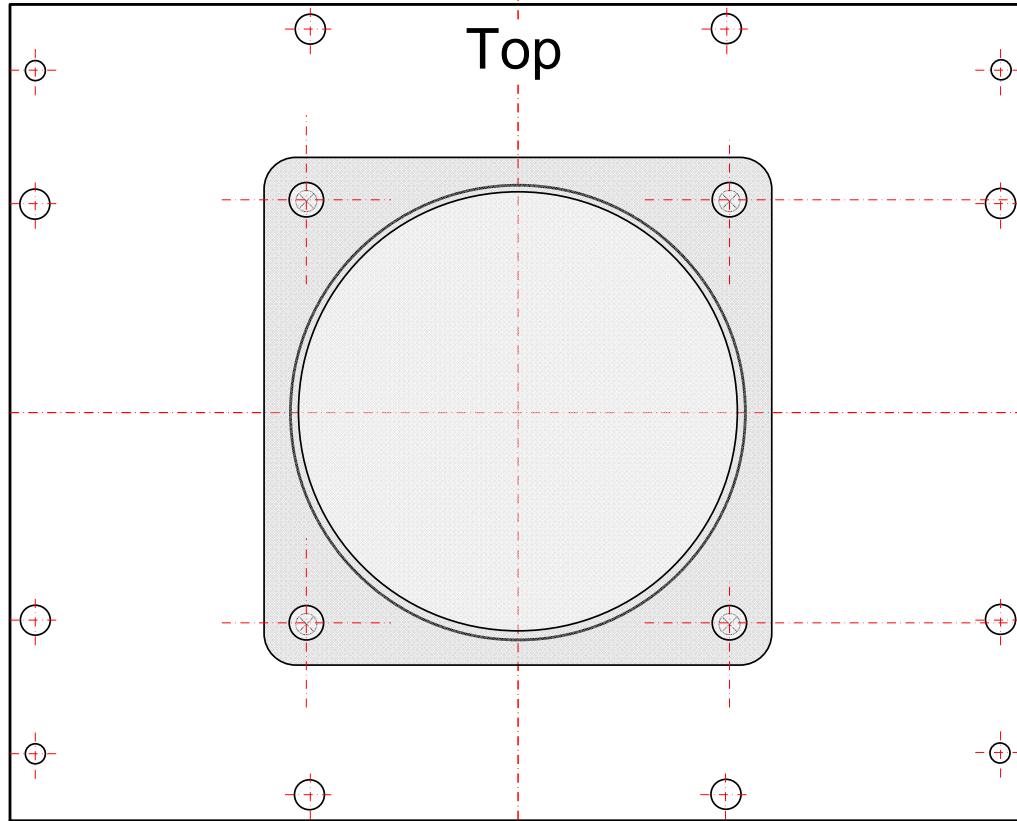


Fuel Master [Penda]  
CG-125 burner flange

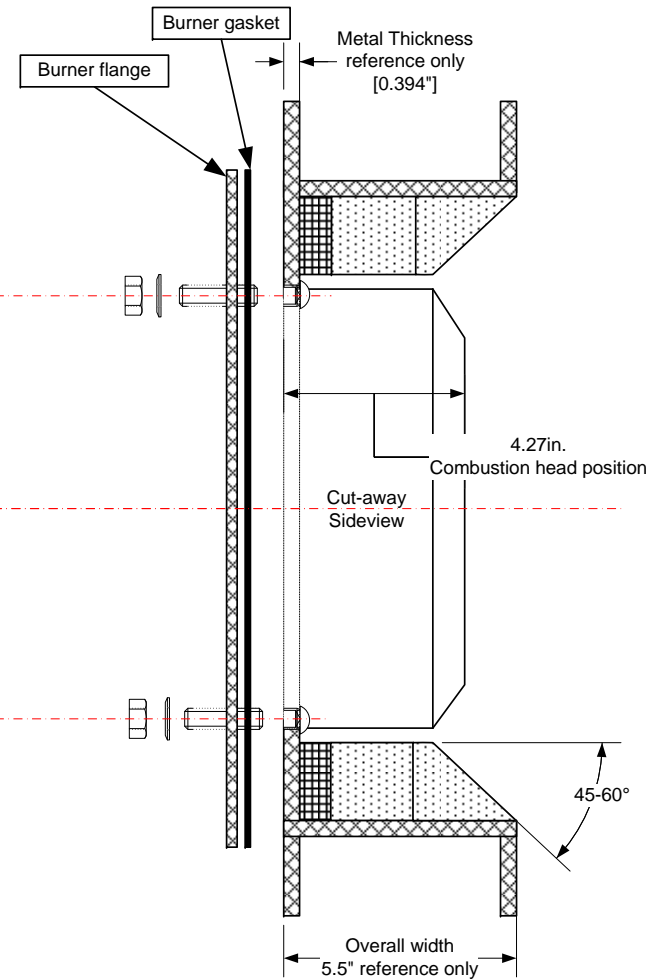
Drawing Template [0]	<b>De Dietrich</b> 		Description				Fuel Master CRG-125 gas burner flange	
	Flexible Eutectic Boilers Ltd. [North America] 1090 Fountain Street North, Unit 10 & 11 Cambridge, Ontario N3E 1A3 – Canada Tel: 1.800.943.6275 Fax: 519.650.1709 Website: www.dedietrich-northamerica.com		Creator	Craig H.	Tolerances ±	0.03"	Material	Not specified
			Approved		Scale	3" = 1 ft.	File Name	2-500-FMB-001b
			Revision	0	Units	Inches	Date [mm/dd/yy]	05/08/07


-  Plate Insulating block material
-  Combustion head insulation
-  Cut view of metal plate

**Installer Note:**  
 Insulating block & insulation material provided in separate accessories box, items to be field modified on site to suit need.



Combustion Head flange depth on head = 4.5" [standard]



Drawing Template [0]	<b>De Dietrich</b> 		Description					Pendal Fuel Master CRG-165 burner flange as applied to OEM GTE 500 A door – Final assembly drawing	
	Flexible Eutectic Boilers Ltd. [North America] 1090 Fountain Street North, Unit 10 & 11 Cambridge, Ontario N3E 1A3 – Canada Tel: 1.800.943.6275 Fax: 519.650.1709 Website: www.dedietrich-northamerica.com		Creator	Craig H.	Tolerances ±	0.03"	Material	None	
			Approved		Scale	3" = 1 ft.	File Name	2-500-FMB-001c	
			Revision	0	Units	Inches	Date [mm/dd/yy]	05/08/07	