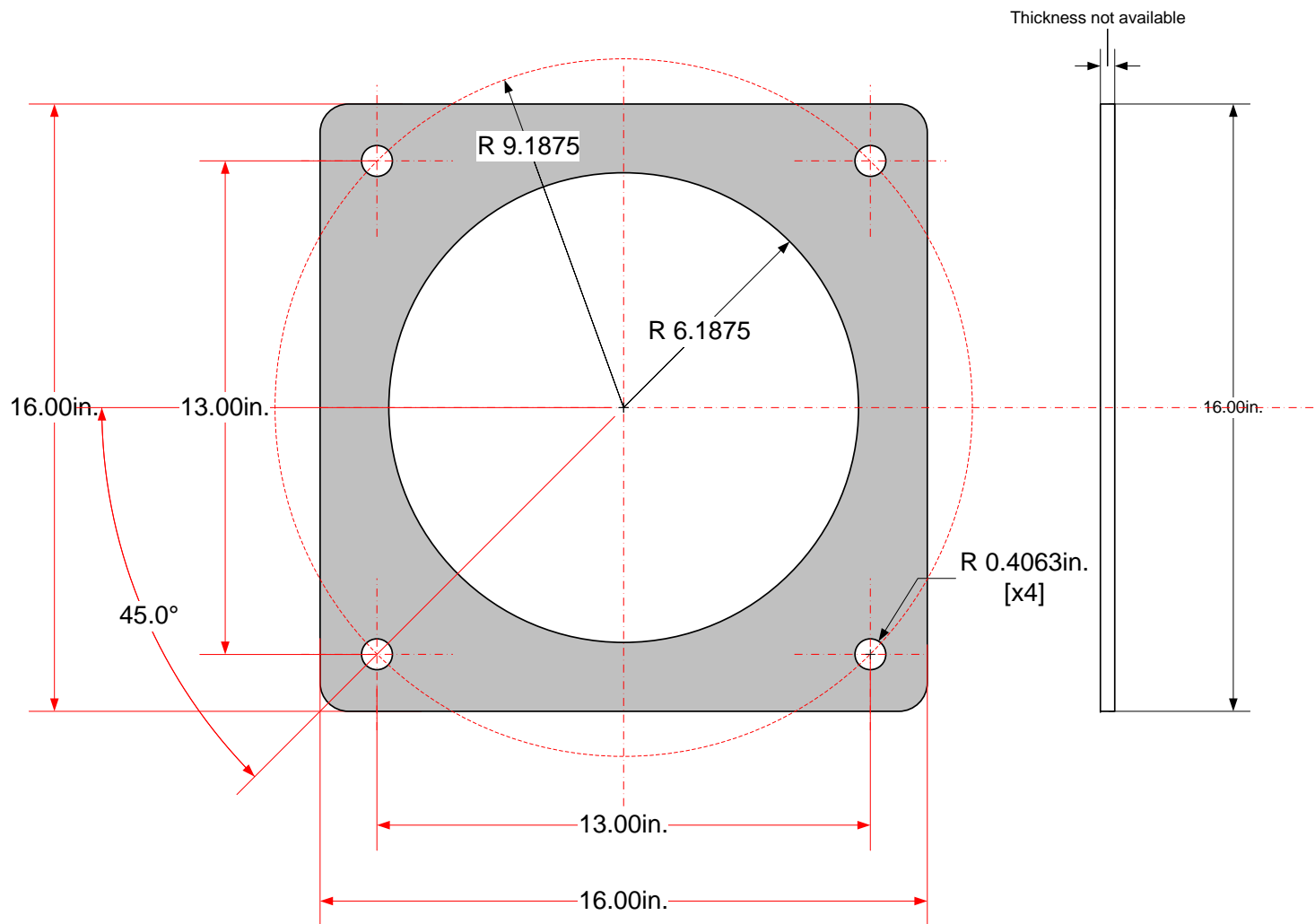


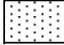
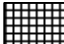

- Vendor Notes:**
1. Cut hole in boiler door 12.75 inches for Fuel Master burner CRG-165
 2. Drill & tap 1/2" -13 NC x 2.0 inch [x4] studs [burner mounting] per drawing
 3. Reinforce studs at backing, by good engineering method
 4. Provide all hardware [studs mounted, nuts and washer]
 5. All work to be free of burrs and sharp edges, finish not specified

Drawing Template [0]	De Dietrich		Description				
	Flexible Eutectic Boilers Ltd. [North America] 1090 Fountain Street North, Unit 10 & 11 Cambridge, Ontario N3E 1A3 – Canada Tel: 1.800.943.6275 Fax: 519.650.1709 Website: www.dedietrich-northamerica.com		OEM GTE 500 A boiler-Burner mounting door – for Pental Fuel Master CG-165 gas burner.				
	Creator	Craig H.	Tolerances ±	0.03"	Material	8259-0538	
	Approved		Scale	3" = 1 ft.	File Name	2-500-FMB-002a	
	Revision	0	Units	Inches	Date [mm/dd/yy]	05/04/07	

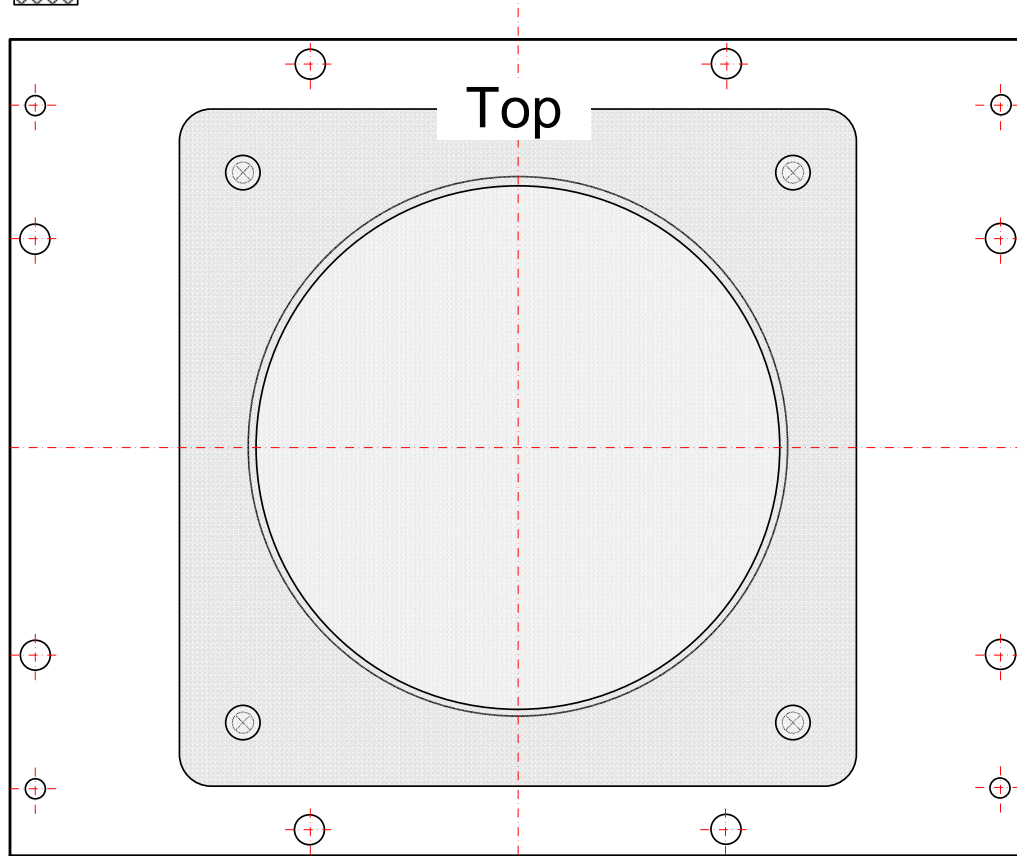


Fuel Master [Penda]
CG-165 burner flange

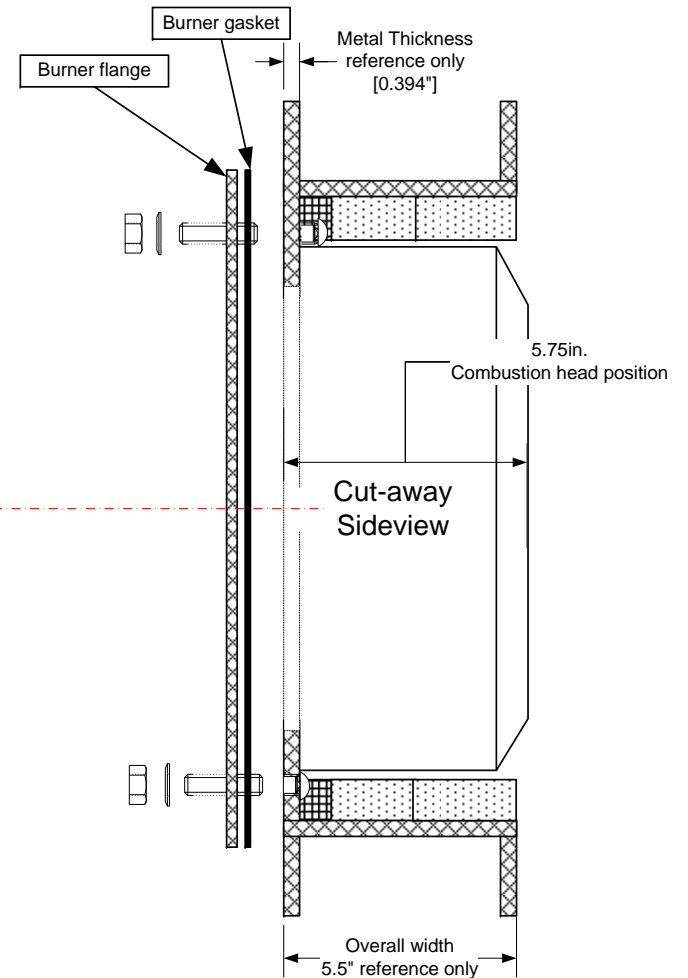
Drawing Template [0]			Description				Fuel Master CRG-165 gas burner flange	
	Flexible Eutectic Boilers Ltd. [North America] 1090 Fountain Street North, Unit 10 & 11 Cambridge, Ontario N3E 1A3 – Canada Tel: 1.800.943.6275 Fax: 519.650.1709 Website: www.dedietrich-northamerica.com		Creator	Craig H.	Tolerances ±	0.03"	Material	Not specified
	Approved		Scale	3" = 1 ft.	File Name	2-500-FMB-002b		
	Revision	0	Units	Inches	Date [mm/dd/yy]	05/04/07		


-  Plate Insulating block material
-  Combustion head insulation
-  Cut view of metal plate

Installer Note:
 Insulating block & insulation material provided in separate accessories box, items to be field modified on site to suit need.



Combustion Head flange depth
 on head = 4.5" [standard]



Drawing Template [0]	De Dietrich 		Description				
	Flexible Eutectic Boilers Ltd. [North America] 1090 Fountain Street North, Unit 10 & 11 Cambridge, Ontario N3E 1A3 – Canada Tel: 1.800.943.6275 Fax: 519.650.1709 Website: www.dedietrich-northamerica.com		Pendal Fuel Master CRG-165 burner flange as applied to OEM GTE 500 A door – Final assembly drawing				
	Creator	Craig H.	Tolerances ±	0.03"	Material	8259-0538	
	Approved		Scale	3" = 1 ft.	File Name	2-500-FMB-002c	
	Revision	0	Units	Inches	Date [mm/dd/yy]	05/04/07	