




-  Cut view of metal plate
-  Plate Insulating block material
-  Combustion head insulation

**Vendor Notes:**

1. Modify existing boiler door as indicated in drawing.
2. Cut hole for burner head 10.5 inches
3. Drill and tap burner mounting studs [1/2" 13NC x 2.5"]
4. Reinforce backing of mounting studs
5. Provide mounting hardware [studs, nuts and washer]

R2 = update description that included all H series models 50-70 size 3

Drawing Template [0]



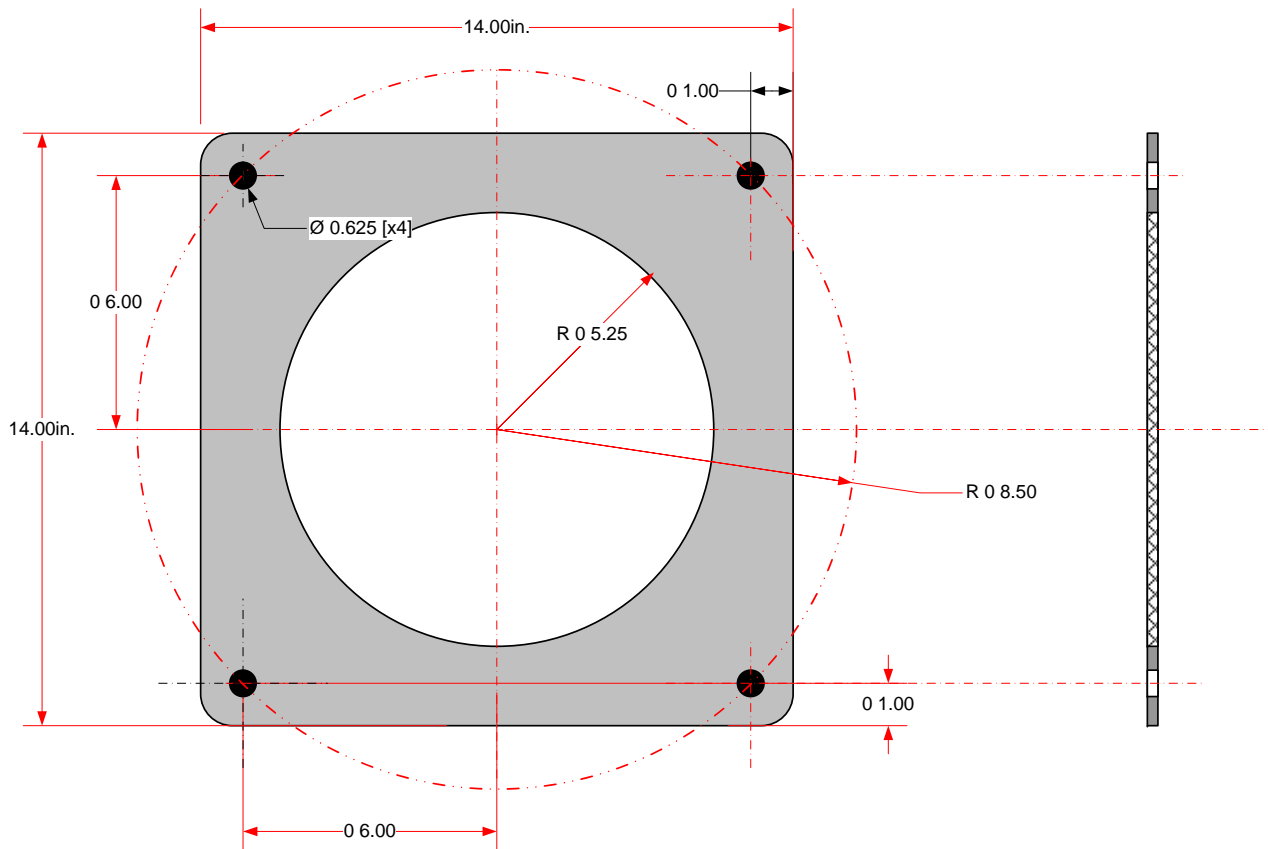
DDR AMERICAS INC.  
1090 Fountain Street North, Unit 10 & 11  
Cambridge, Ontario N3E 1A3 – Canada  
Tel: 1.800.943.6275 Fax: 519.650.1709  
Website: www.dedietrichboilers.com


**Description**

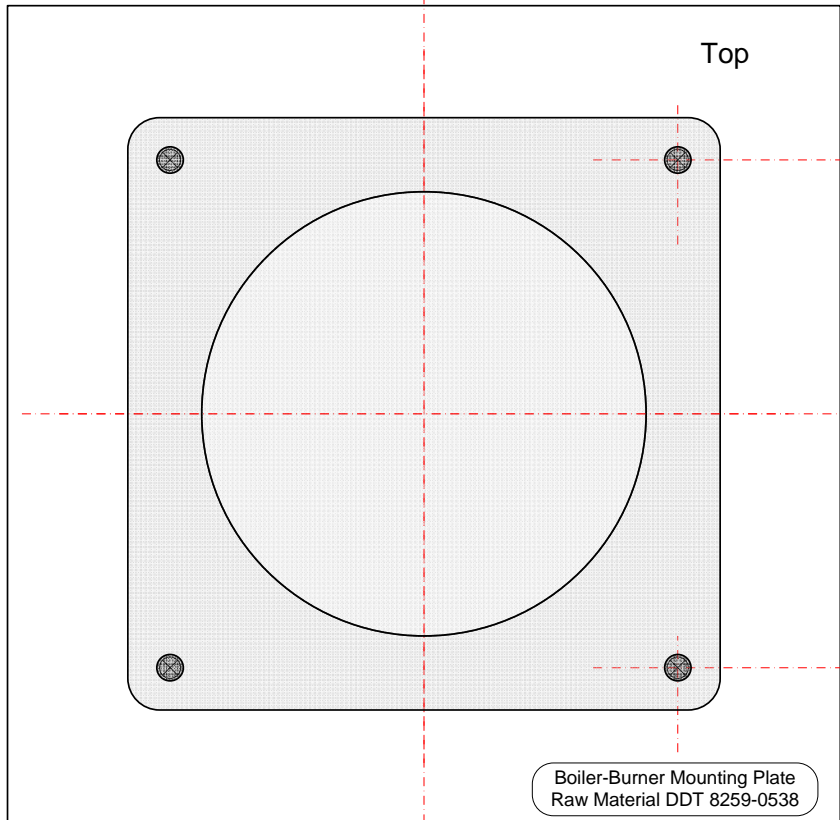
OEM GTE 500A boiler door modifications for Industrial Combustion H (HG-HL-HLG) Models 50-70 size 3




<b>Creator</b>	Craig H.	<b>Tolerances ±</b>	0.03"	<b>Material</b>	8259-0538
<b>Approved</b>		<b>Scale</b>	3" = 1 ft.	<b>File Name</b>	2-500-ICB-001a
<b>Revision</b>	2	<b>Units</b>	Inches	<b>Date [mm/dd/yy]</b>	02/18/08

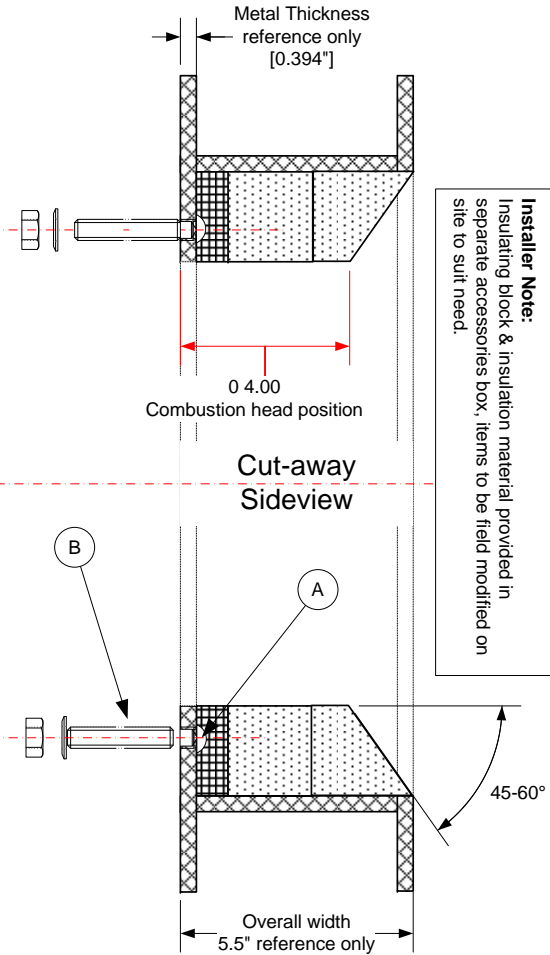
**IC [Industrial Combustion]  
Burner flange drawing for H series 50-70 Size 3**



Drawing Template [0]	<b>De Dietrich</b> 		Description				IC Combustion Burner flange [DWG # 029-01435-C] & [557-00107] – Reference only Size 3 H series 50-70	
	Flexible Eutectic Boilers Ltd. [North America] 1090 Fountain Street North, Unit 10 & 11 Cambridge, Ontario N3E 1A3 – Canada Tel: 1.800.943.6275 Fax: 519.650.1709 Website: www.dedietrich-northamerica.com		Creator	Craig H.	Tolerances ±	0.03"	Material	CRS
			Approved		Scale	3" = 1 ft.	File Name	2-500-ICB-001b
			Revision	2	Units	Inches	Date [mm/dd/yy]	02/18/08




-  Cut view of metal plate
-  Plate Insulating block material
-  Combustion head insulation



**Installer Note:**  
 Insulating block & insulation material provided in separate accessories box. Items to be field modified on site to suit need.

Final assembly drawing

Drawing Template [0]	<b>De Dietrich</b> 		Description					Final Assembly drawing – Reference only – IC burner Size 3 H models 50-70 & GTE500A boiler door	
	Flexible Eutectic Boilers Ltd. [North America] 1090 Fountain Street North, Unit 10 & 11 Cambridge, Ontario N3E 1A3 – Canada Tel: 1.800.943.6275 Fax: 519.650.1709 Website: www.dedietrich-northamerica.com		Creator	Craig H.	Tolerances ±	0.03"	Material	8259-0538	
			Approved		Scale	3" = 1 ft.	File Name	2-500-ICB-001c	
			Revision	2	Units	Inches	Date [mm/dd/yy]	02/18/08	