

**Installer Note:**  
 Boiler door insulation and insulating block need to be field modified to fit applied burner according to the burner manufactures recommended combustion head position and insulation requirements.

**Vendor Notes:**

GTE500A & GT530 Series boiler door blank plate modifications – according to drawing.

1. Cut boiler door for burner head 12 In. 305mm ± 0.06"
2. Drill and tap door for burner mounting studs  $\varnothing$  15 1/4 In. (BC) @ 45° (DC) for 5/8 x 11NC x 2 In. steel grade 5 (equal) studs
3. Install 5/8 - 11NC x 2 In. studs and mechanical secure in place, reinforce stud hole backing
4. Supply appropriate, flat washer and locking washers for mounting stud
5. All cuts to be free of burrs and sharp edges
6. No finishing required

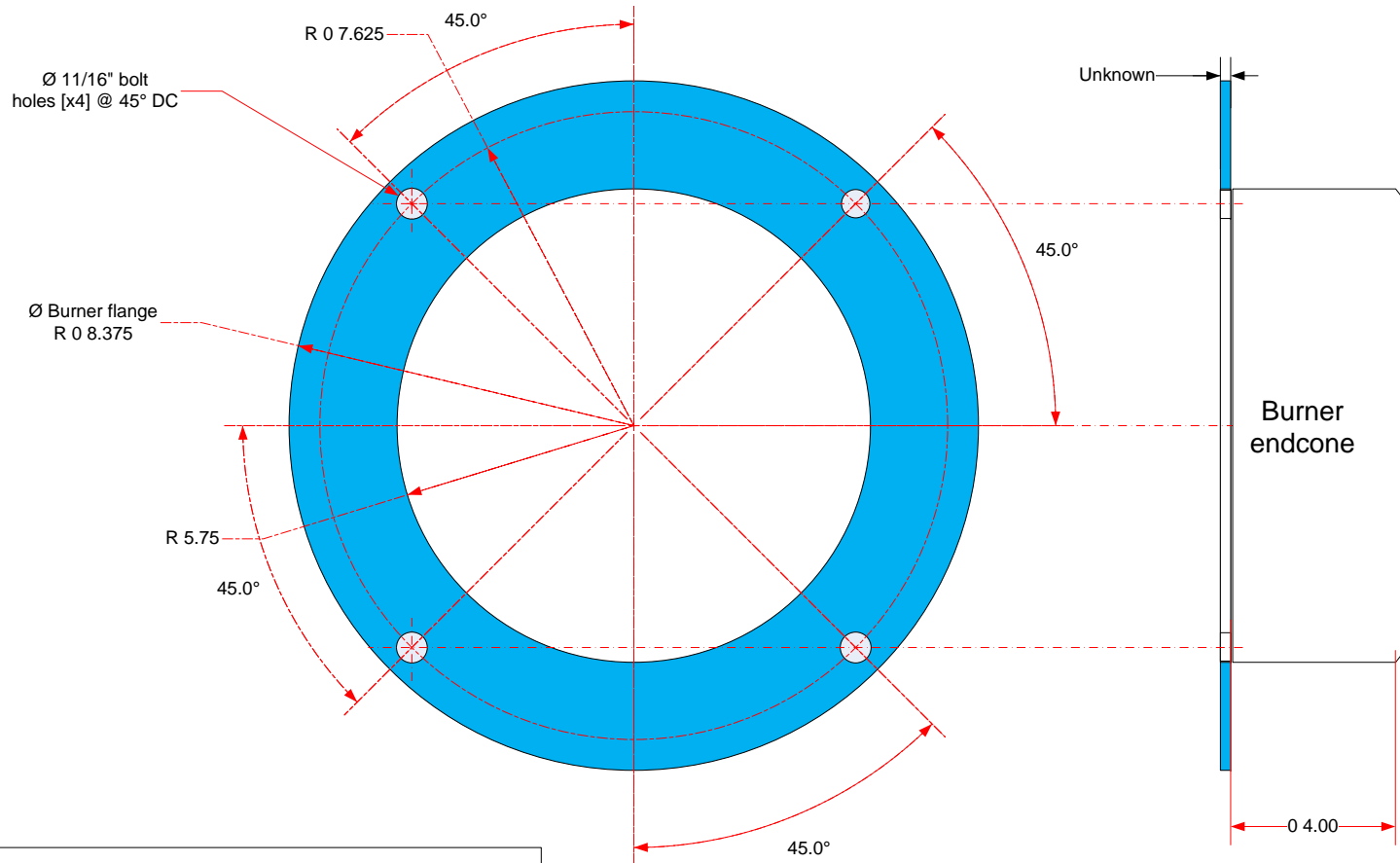
Industrial Combustion V series Burner Models  
 [VG = Gas] [VL = Light Oil] [VLG = Gas/Oil (Dual Fuel)]  
 Sizes: 60-63-70-80-84-90-100-105-110

- (A) Mounting stud holes to be reinforced at backing
- (B) Mounting Studs [x4] 5/8 inch- 11 NC X 2.0" steel grade 5 or equal


	Cut view of metal plate
	Plate Insulating block material [x1] piece (hard)
	Combustion head insulation [x2] pieces (soft)

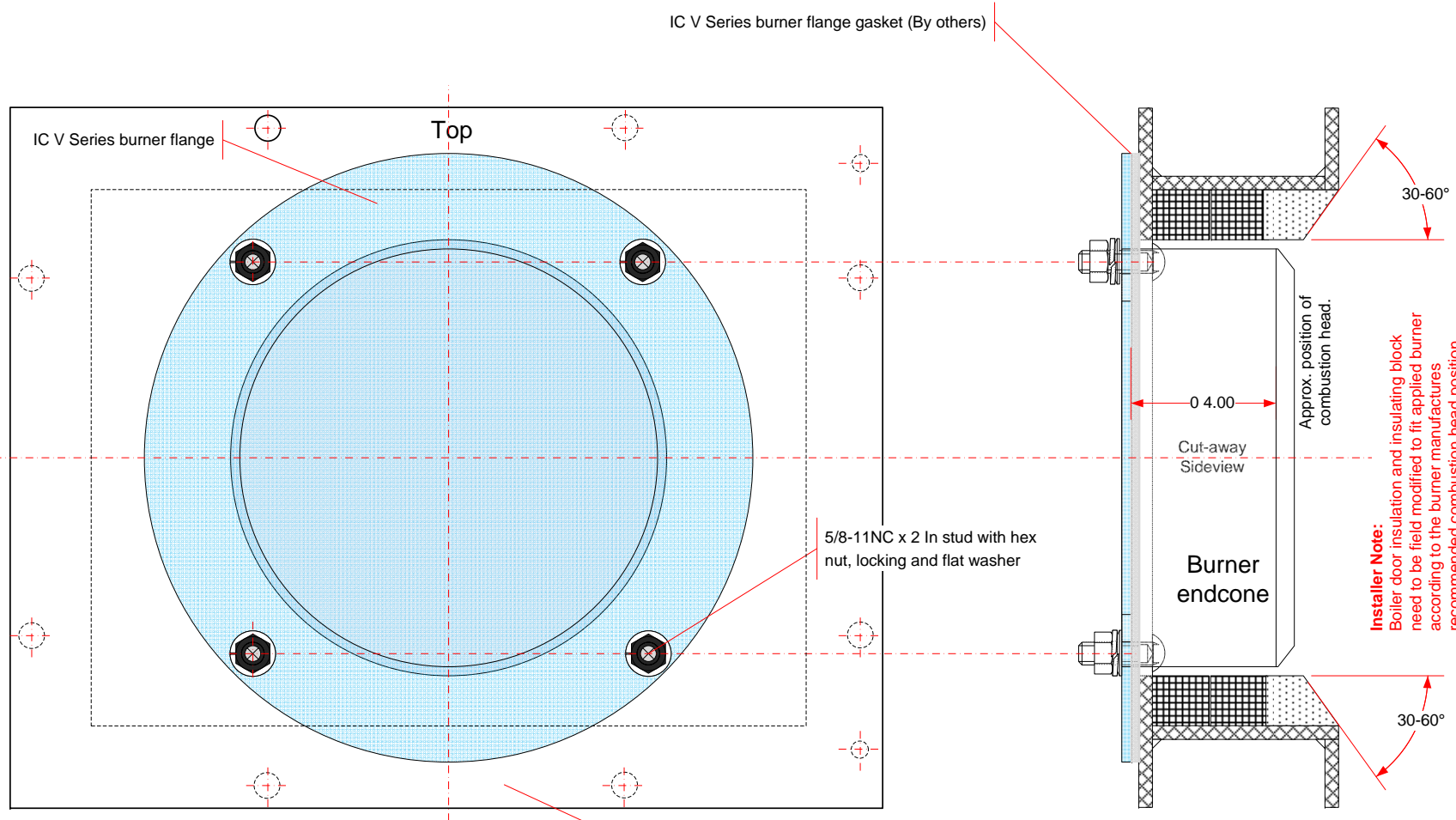
Drawing Template [0]	<b>De Dietrich</b>		Description				GTE 500A [GT530A series] burner mounting door modification for Industrial Combustion burner model V-VL-VLG 60-110	
	DDR Americas Inc. 1090 Fountain Street North, Unit 10 & 11 Cambridge, Ontario N3E 1A3 – Canada Tel: 1.800.943.6275 Fax: 519.650.1709 Website: www.dedietrichboilers.com		Creator	Craig H.	Tolerances ±	0.03"	Material	8259-0538
			Approved		Scale	3" = 1 ft.	File Name	2-500-ICB-003a
			Revision	0	Units	Inches	Date [mm/dd/yy]	09/28/09

Industrial Combustion Size V60 - 110 VL-VG-VLG burner – burner flange details



Industrial Combustion V series Burner Models  
 [VG = Gas] [VL = Light Oil] [VLG = Gas/Oil (Dual Fuel)]  
 Sizes:60-63-70-80-84-90-100-105-110

Drawing Template [0]	<b>De Dietrich</b>  DDR Americas Inc. 1090 Fountain Street North, Unit 10 & 11 Cambridge, Ontario N3E 1A3 – Canada Tel: 1.800.943.6275 Fax: 519.650.1709 Website: www.dedietrichboilers.com		Description					Industrial Combustion burner model V-VL-VLG 60 – 110 – Burner flange details for reference only	
	Creator	Craig H.	Tolerances $\pm$	0.03"	Material	8259-0538			
	Approved		Scale	3" = 1 ft.	File Name	2-500-ICB-003b			
	Revision	0	Units	Inches	Date [mm/dd/yy]	09/28/09			



**Installer Note:**  
 Boiler door insulation and insulating block need to be field modified to fit applied burner according to the burner manufactures recommended combustion head position and insulation requirements.

**Industrial Combustion V series Burner Models**  
 [VG = Gas] [VL = Light Oil] [VLG = Gas/Oil (Dual Fuel)]  
 Sizes:60-63-70-80-84-90-100-105-110

- Cut view of metal plate
- Plate Insulating block material [x1] piece (hard)
- Combustion head insulation [x2] pieces (soft)

Drawing Template [0]	<b>De Dietrich</b>		Description				Final assembly drawing GTE 500A [GT530A series] burner mounting door modification for Industrial Combustion burner model V-VL-VLG 60-110	
	DDR Americas Inc. 1090 Fountain Street North, Unit 10 & 11 Cambridge, Ontario N3E 1A3 – Canada Tel: 1.800.943.6275 Fax: 519.650.1709 Website: www.dedietrichboilers.com		Creator	Craig H.	Tolerances ±	0.03"	Material	8259-0538
			Approved		Scale	3" = 1 ft.	File Name	2-500-ICB-003a
			Revision	0	Units	Inches	Date [mm/dd/yy]	09/28/09