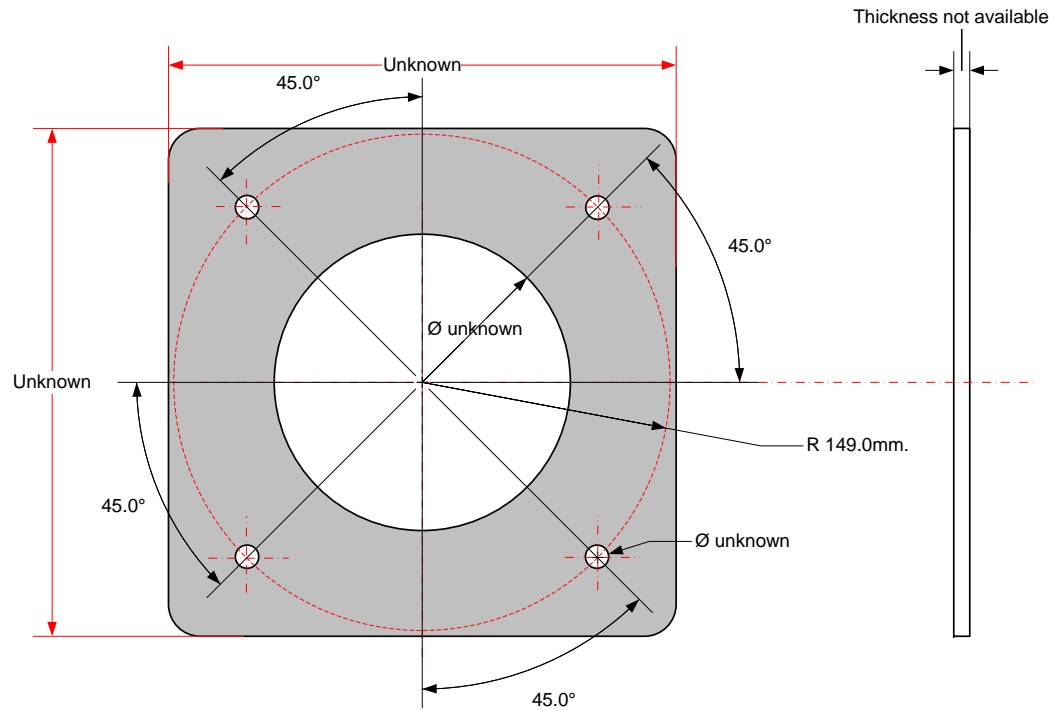


Boiler-Burner Mounting  
Plate Raw Material DDT  
8259-0538

- Vendor Notes:**
1. Cut hole in boiler door 10.63 inches [270mm] for Weishaupt G7/1-D ZMD gas burner
  2. Drill 5/16" & tap 3/8" -16 NC x 2.75 inch [x4] studs [burner mounting] per drawing
  3. Reinforce studs at backing, by good engineering method
  4. Provide all hardware [studs mounted, nuts and washer]
  5. All work to be free of burrs and sharp edges, finish not specified

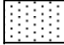
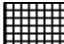

- Cut view of metal plate
- Plate Insulating block material
- Combustion head insulation

Drawing Template [0]	<b>De Dietrich</b>		Description				OEM GTE 500 A boiler-Burner mounting door – for Weishaupt G7/1-D ZMD gas burner.	
	DDR Americas Inc. 1090 Fountain Street North, Unit 10 & 11 Cambridge, Ontario N3E 1A3 – Canada Tel: 1.800.943.6275 Fax: 519.650.1709 Website: www.dedietrichboilers.com		Creator	Craig H.	Tolerances ±	0.03"	Material	8259-0538
			Approved		Scale	3" = 1 ft.	File Name	2-500-WEI-001a
			Revision	1	Units	Inches	Date [mm/dd/yy]	02/19/09

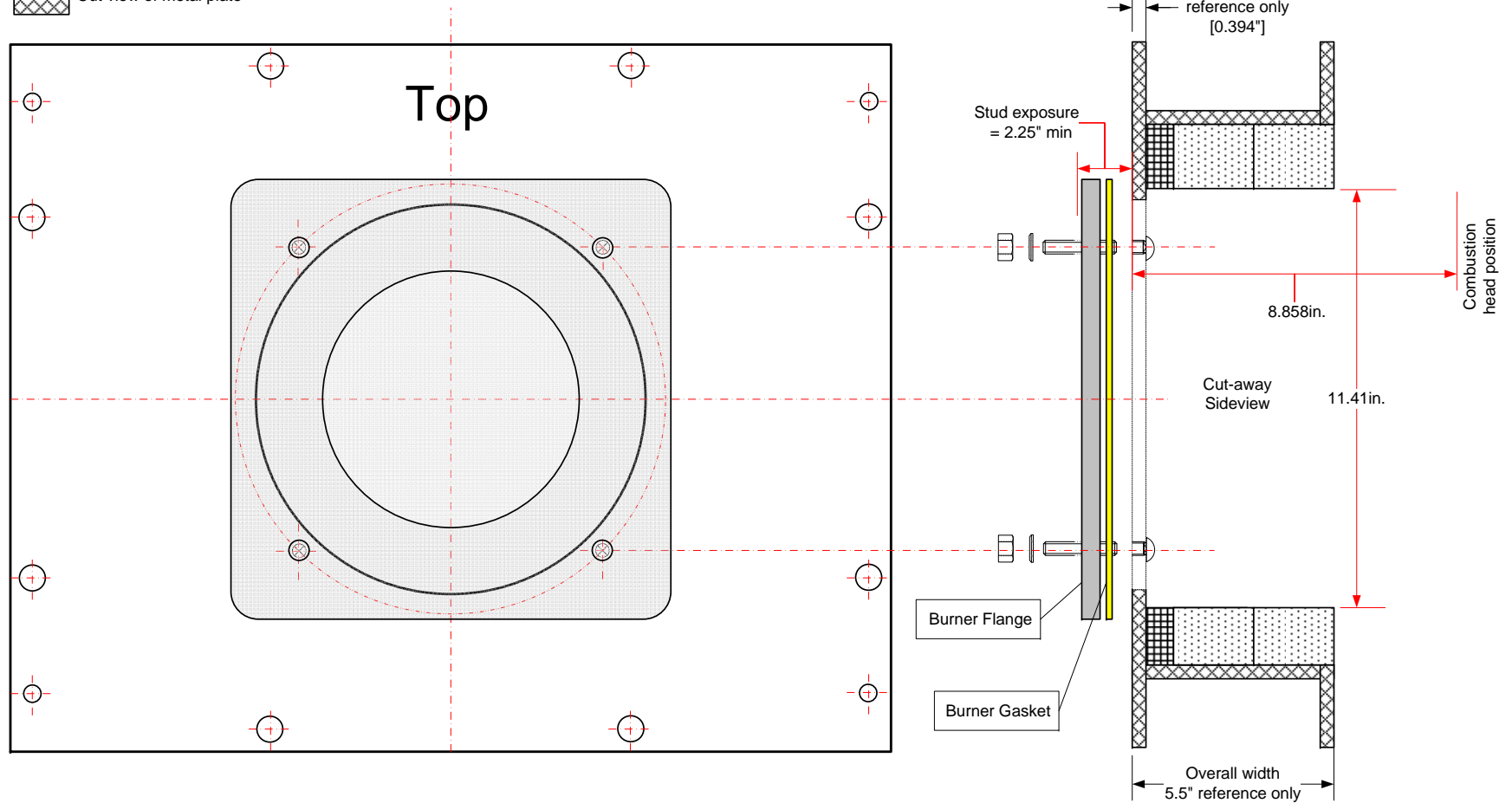


Weishaupt  
G7/1-D ZMD  
burner flange


Drawing Template [0]	<b>De Dietrich</b>		Description				Weishaupt G7/1-D ZMD gas burner flange, part of burner construction – drawing may not necessarily reflect actual burner flange	
	DDR Americas Inc. 1090 Fountain Street North, Unit 10 & 11 Cambridge, Ontario N3E 1A3 – Canada Tel: 1.800.943.6275 Fax: 519.650.1709 Website: www.dedietrichboilers.com		Creator	Craig H.	Tolerances ±	0.03"	Material	Not specified
			Approved		Scale	3" = 1 ft.	File Name	2-500-WEI-001b
			Revision	1	Units	Inches	Date [mm/dd/yy]	02/19/09

-  Plate Insulating block material
-  Combustion head insulation
-  Cut view of metal plate

**Installer Note:**  
 Insulating block & insulation material provided in separate accessories box, items to be field modified on site to suit need.



Drawing Template [0]

**De Dietrich**   
 DDR Americas Inc.  
 1090 Fountain Street North, Unit 10 & 11  
 Cambridge, Ontario N3E 1A3 – Canada  
 Tel: 1.800.943.6275 Fax: 519.650.1709  
 Website: www.dedietrichboilers.com

Description		Weishaupt G7/1-D ZMD burner flange as applied to OEM GTE 500 A door – Final assembly drawing				
Creator	Craig H.	Tolerances ±	0.03"	Material	8259-0538	
Approved		Scale	3" = 1 ft.	File Name	2-500-WEI-001c	
Revision	1	Units	Inches	Date [mm/dd/yy]	02/19/09	