

Boiler-Burner Mounting
Plate Raw Material DDT
8259-0538

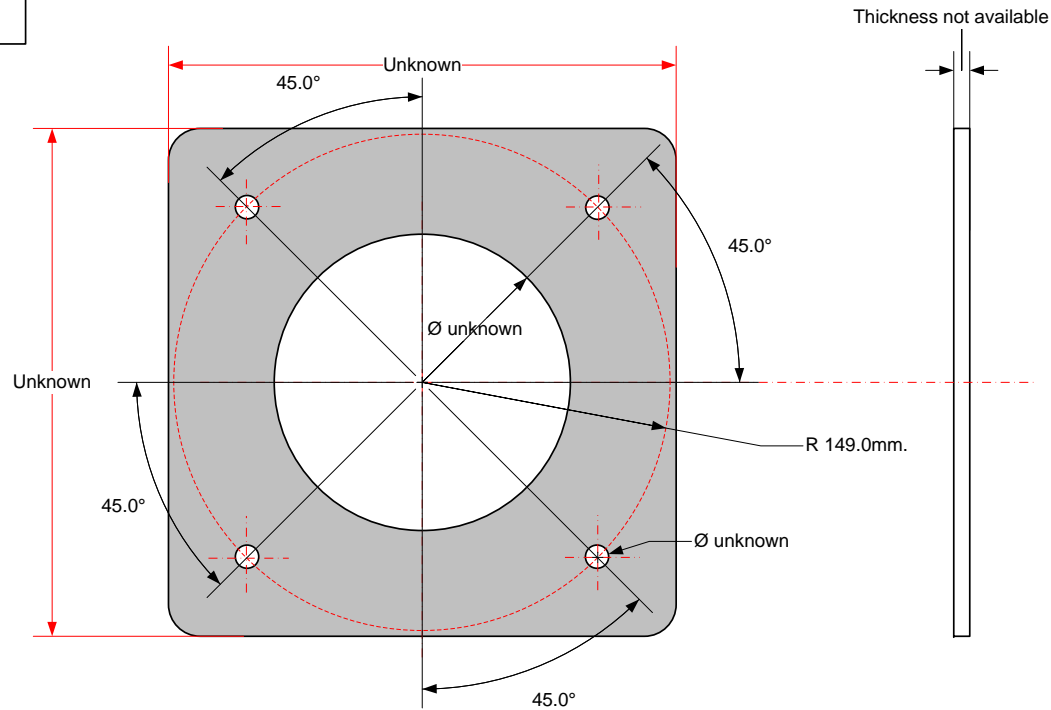
- Vendor Notes:**
1. Cut hole in boiler door 10.63 inches [270mm]
 2. Drill 5/16" & tap 3/8" -16 NC x 2.0 inch [x4] studs [burner mounting] per drawing
 3. Reinforce studs at backing, by good engineering method
 4. Provide all hardware [studs mounted, nuts and washer]
 5. All work to be free of burrs and sharp edges, finish not specified

Applicable Weishaupt Models
G7/1-D ZMD
WM L20 /1/2/3 A/T or A/R
WM G20 /2/3 ZM - & LN
WM GL20 /2/3 ZM - & T/R


- Cut view of metal plate
- Plate Insulating block material
- Combustion head insulation

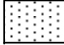
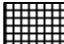

Drawing Template [0]	De Dietrich		Description					GT530 (GTE 500A) boiler door modification for Weishaupt Burners see table	
	DDR Americas Inc. 1090 Fountain Street North, Unit 10 & 11 Cambridge, Ontario N3E 1A3 – Canada Tel: 1.800.943.6275 Fax: 519.650.1709 Website: www.dedietrichBoilers.com		Creator	Craig H.	Tolerances ±	0.03"	Material	8259-0538	
			Approved		Scale	3" = 1 ft.	File Name	2-500-WEI-001	
			Revision	2	Units	Inches	Date [mm/dd/yy]	09/09/09	

Example of Weishaupt burner flange

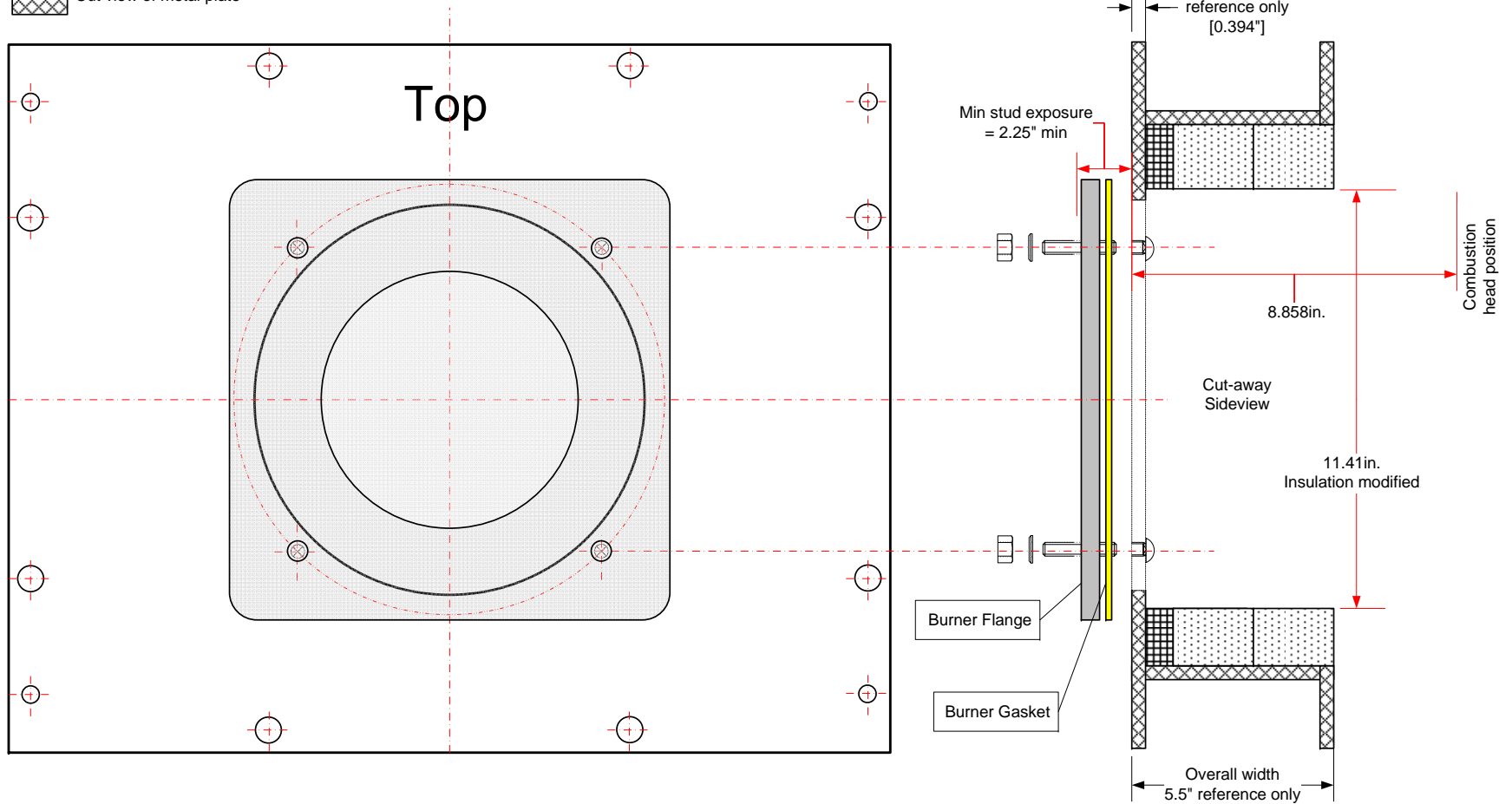


Applicable Weishaupt Models
G7/1-D ZMD
WM L20 /1/2/3 A/T or A/R
WM G20 /2/3 ZM - & LN
WM GL20 /2/3 ZM - & T/R

Drawing Template [0]	De Dietrich  DDR Americas Inc. 1090 Fountain Street North, Unit 10 & 11 Cambridge, Ontario N3E 1A3 – Canada Tel: 1.800.943.6275 Fax: 519.650.1709 Website: www.dedietrichboilers.com		Description Weishaupt burner flange (example)			
	Creator	Craig H.	Tolerances ±	0.03"	Material	Not specified
	Approved		Scale	3" = 1 ft.	File Name	2-500-WEI-001
	Revision	2	Units	Inches	Date [mm/dd/yy]	09/09/09

-  Plate Insulating block material
-  Combustion head insulation
-  Cut view of metal plate

Installer Note:
 Insulating block & insulation material provided in separate accessories box, items to be field modified on site to suit need.



Drawing Template [0]



DDR Americas Inc.
 1090 Fountain Street North, Unit 10 & 11
 Cambridge, Ontario N3E 1A3 – Canada
 Tel: 1.800.943.6275 Fax: 519.650.1709
 Website: www.dedietrichboilers.com

Description		FINAL Assembly drawing				
Creator	Craig H.	Tolerances ±	0.03"	Material	8259-0538	
Approved		Scale	3" = 1 ft.	File Name	2-500-WEI-001	
Revision	2	Units	Inches	Date [mm/dd/yy]	09/09/09	