





-  Cut view of metal plate
-  Plate Insulating block material
-  Combustion head insulation

Vendor Notes:

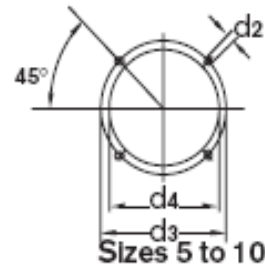
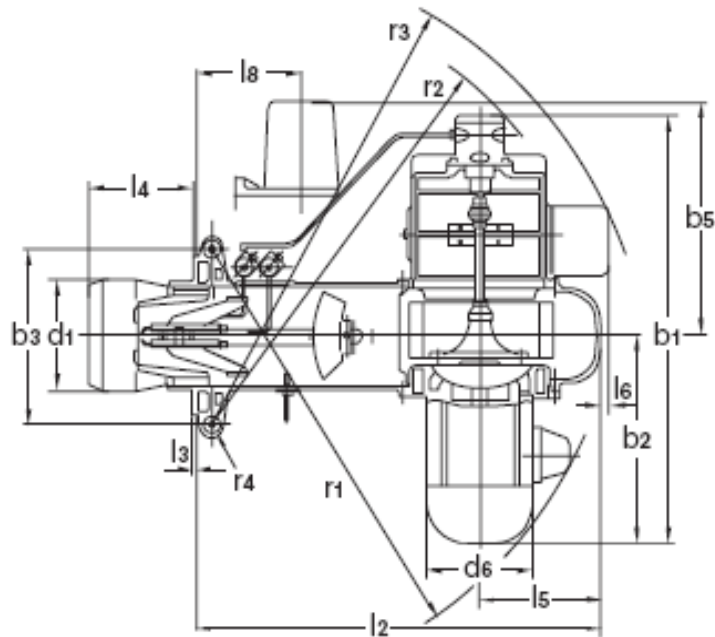
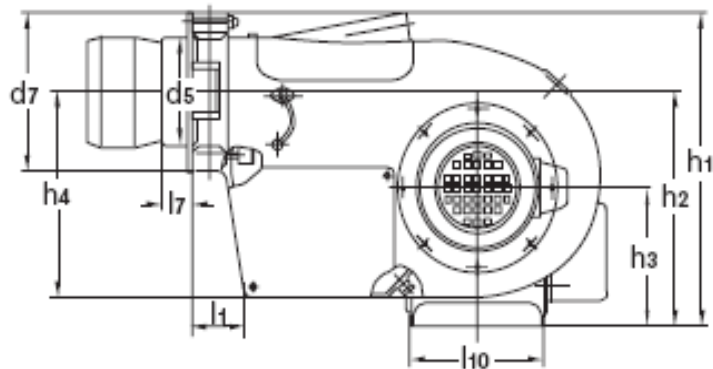
1. Cut hole in boiler door 8.267 inches [210mm] for Weishaupt AL7 waste oil burner
2. Drill 5/16" & tap 3/8" -16 NC x 2.0 inch [x4] studs [burner mounting] per drawing
3. Reinforce studs at backing, by good engineering method
4. Provide all hardware [studs mounted, nuts and washers]
5. All work to be free of burrs and sharp edges, finish not specified

Boiler-Burner Mounting
Plate Raw Material DDT
8259-0538

Installer Note:
Insulating block & insulation material
provided in separate accessories box,
items to be field modified on site to suit
need.

Drawing Template [0]	De Dietrich 		Description				Standard GTE 500 A boiler-Burner mounting door – Drawing for modification purposes for each applied specific burner applied.	
	Flexible Eutectic Boilers Ltd. [North America] 1090 Fountain Street North, Unit 10 & 11 Cambridge, Ontario N3E 1A3 – Canada Tel: 1.800.943.6275 Fax: 519.650.1709 Website: www.dedietrich-boilers.com		Creator	Craig H.	Tolerances ±	0.03"	Material	8259-0538
			Approved		Scale	3" = 1 ft.	File Name	2-500-WEI-003a
			Revision	0	Units	Inches	Date [mm/dd/yy]	07/09/07

Monarch L and RL burners



Burner size	5	7
l_1	3.9" (100)	3.9" (100)
l_2	27" (686)	30.2" (766)
l_3	0.3" (8)	0.3" (8)
l_4	M5/2a: 5.1" (130) M5/1a: 5.7" (145)	M6/1a: 8.4" (214) M7/1a: 8.8" (224)
l_5	7.9" (200)	8.8" (224)
l_6	1.9" (47)	1.1" (28)
l_7	1.3" (34)	2.2" (57)
l_8	9.4" (239)	11.2" (285)
l_{10}	9.4" (239)	10" (255)
b_1	25.4" (644)	30" (763)
b_2	11.7" (297)	14.5" (369)
b_3	10.6" (270)	12.2" (310)
b_5	15.5" (394)	16.3" (414)
b_6	7.9" (200)	9.1" (231)
h_1	19.4" (494)	21.9" (556)
h_2	14.7" (373)	16.3" (415)
h_3	8.7" (220)	9.6" (245)
h_4	14.3" (363)	14.4" (366)
d_1	M5/2a: 6.3" (160) M5/1a: 7.1" (180)	M6/1a: 7.9" (200) M7/1a: 8.7" (220)
d_2	M10	M10
d_3	8.3" (210)	9.3" (235)
d_4	7.3" (185)	8.3" (210)
d_5	6.1" (154)	7.7" (196)
d_6	6.9" (176)	8.6" (218)
d_7	9.5" (242)	11.1" (281)
r_1	26.8" (680)	30.3" (770)
r_2	27.8" (705)	31.1" (790)
r_3	31.1" (790)	34.1" (865)
r_4	0.8" (21)	0.9" (23)

Drawing Template [0]



Flexible Eutectic Boilers Ltd. [North America]
 1090 Fountain Street North, Unit 10 & 11
 Cambridge, Ontario N3E 1A3 – Canada
 Tel: 1.800.943.6275 Fax: 519.650.1709
 Website: www.dedietrich-boilers.com

Description

Weishaupt L7 oil burner dimensional data sheet – also used for AL7 waste oil burner

Creator

Craig H.

Tolerances ±

None

Material

N/A

Approved

Scale

None

File Name

2-500-WEI-003b

Revision

0

Units

Inches

Date [mm/dd/yy]

07/09/07