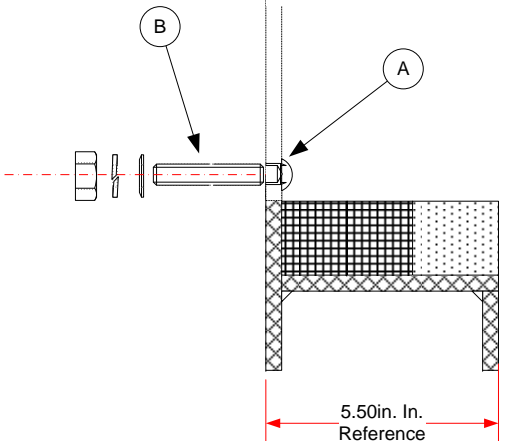


Installer Note:
 Boiler door insulation and insulating block need to be field modified to fit applied burner according to the burner manufacturer's recommended combustion head position and insulation requirements.



| Weishaupt Burner table | |
|------------------------------------------|--|
| Oil = L - RMS 30/2-A & RMS 40/1-B | |
| Dual Fuel = RGL 30/2-A & 40/1-B(NR & LN) | |
| Gas = RG 30/2-A & 40/1-B | |

| | |
|--|---------------------------------------------------|
| | Cut view of metal plate |
| | Plate Insulating block material [x1] piece (hard) |
| | Combustion head insulation [x2] pieces (soft) |

Vendor Notes:
 GTE500A & GT530 Series boiler door blank plate modifications – according to drawing.

1. Cut boiler door for burner head 11.732 In. ± 0.06 In. [285mm ± 1.5mm]
2. Drill and tap door for burner mounting studs @ 14.1732 In. ± 0.06 In. [360mm ± 1.5mm] (BC) @ 45° (DC) for 1/2-13NC x 2 1/2 In. steel grade 5 (equal) studs.
3. Install 1/2 Inch -13NC x 2 In. studs and mechanical secure in place, reinforce stud hole backing with good engineering methods
4. Supply appropriate, flat washer and locking washers for mounting stud
5. All cuts to be free of burrs and sharp edges
6. No finishing required or specified

- (A) Mounting stud holes to be reinforced at backing
- (B) Mounting Studs [x4] 1/2 In.- 13 NC X 2.5" steel grade 5 or equal

| | | | | | | | | | | | |
|----------------------|-------------------------------------------------------------------------------------------------------------------------------------------------------------------------------------|--|-------------|----------|--------------|------------|----------------------------------------------------------------------------------------------------------|---------------|--|--|--|
| Drawing Template [0] | De Dietrich | | Description | | | | GTE 500A [GT530A series] burner mounting door modification for Weishaupt RL-RG-RGL Sizes 30-40 see table | | | | |
| | DDR Americas Inc. 1090 Fountain Street North, Unit 10 & 11 Cambridge, Ontario N3E 1A3 – Canada Tel: 1.800.943.6275 Fax: 519.650.1709 Website: www.dedietrichboilers.com | | Creator | Craig H. | Tolerances ± | 0.03" | Material | 8259-0538 | | | |
| | | | Approved | | Scale | 3" = 1 ft. | File Name | 2-500-WEI-005 | | | |
| | | | Revision | 0 | Units | Inches | Date [mm/dd/yy] | 10/14/09 | | | |