

Supplement Information, consult installation instructions provided with this kit

Boiler Model	Gas Pressure Readings							
	Full Load (100%)		High Gas Pressure Switch Setting		Part Load (20%)		Low Gas Pressure Switch Setting	
	$\Delta p$ [in w.c.]	$\Delta p$ [mbar]	In w.c.	mbar	$\Delta p$ [in w.c.]	$\Delta p$ [mbar]	In w.c.	mbar
310-5	5.20 ± 0.4	13.0 ± 1.0	7.8	19.4	0.24 ± 0.04	0.60 ± 10	3.5	8.7
310-6	4.10 ± 0.4	10.2 ± 1.0	6.15	15.3	0.17 ± 0.04	0.42 ± 10	3.5	8.7
310-7	3.60 ± 0.4	9.0 ± 1.0	5.4	13.4	0.20 ± 0.04	0.50 ± 10	3.5	8.7
310-8	5.40 ± 0.4	13.5 ± 1.0	8.1	20.2	0.26 ± 0.04	0.65 ± 10	3.5	8.7
310-9	6.60 ± 0.4	16.5 ± 1.0	9.9	24.6	0.34 ± 0.04	0.85 ± 10	3.5	8.7

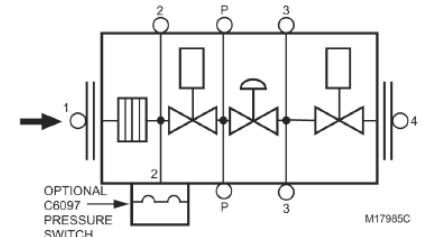
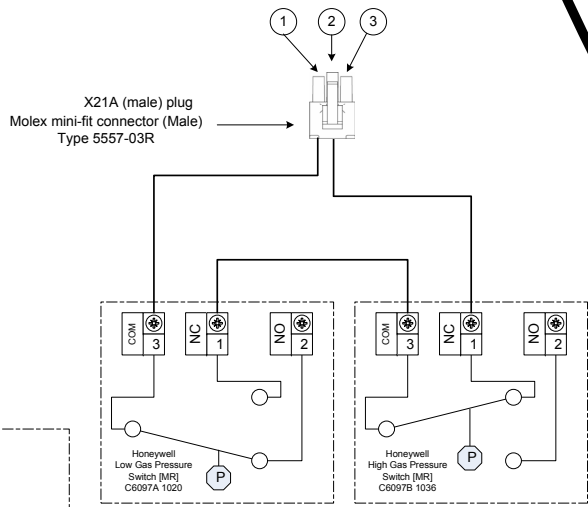
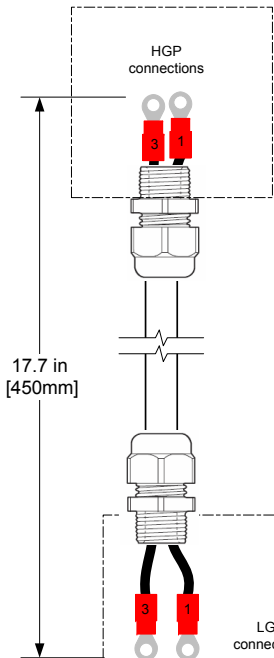
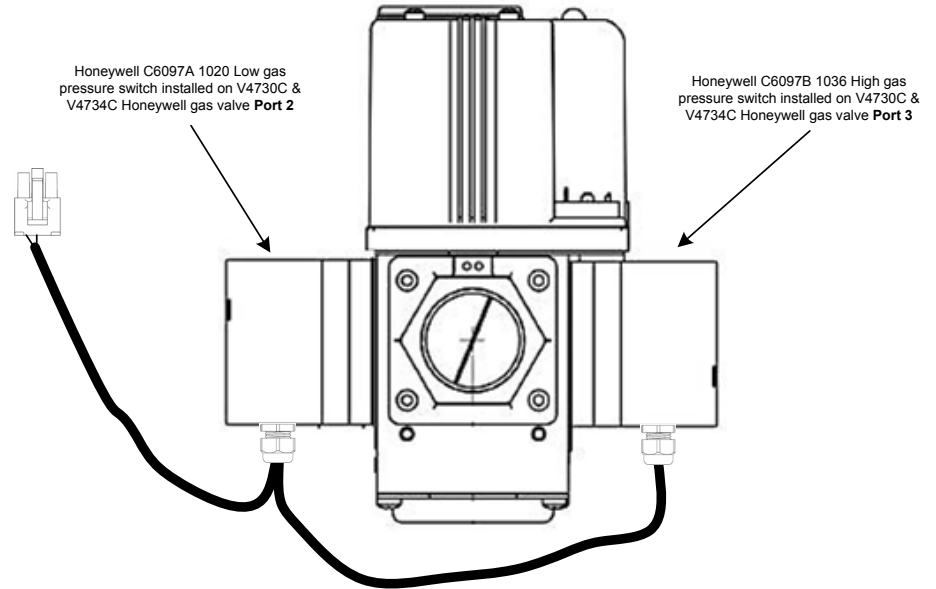
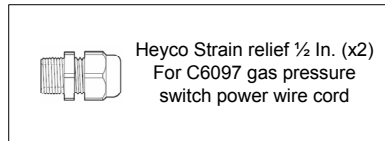
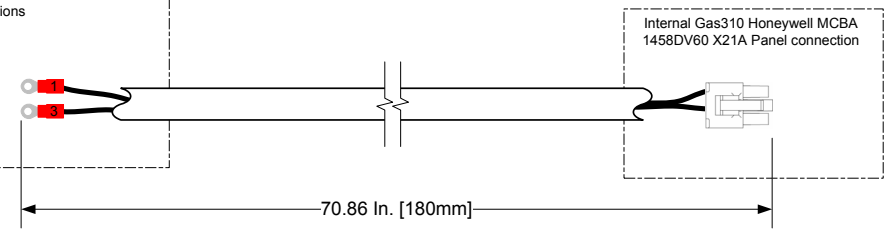


Fig. 18: Pressure tap points

Honeywell V4730C = Gas310 Models 5 & 6  
V4734C = Gas310 Models 7-8-9

Gas block ports:  
2 = low gas pressure switch sensing point  
3 = High gas pressure switch sensing point



**De Dietrich**  
BOILERS

DDR Americas Inc.  
1090 Fountain Street North, Unit 10 & 11  
Cambridge, Ontario N3E 1A3 - Canada  
Tel: 1.800.943.6275 Fax: 519.650.1709  
Website: www.dedietrichboilers.com

Revisions		Description	Gas310 low and high gas pressure switch application details					
Date	Description		Initial	Creator	Tolerances ±	Material	File Name	None specified
			Craig H.	None		4-310-GPS-001		
				Scale	NTS			
			Revision	0	Units	In./mm	Date [mm/dd/yy]	August 20 2009