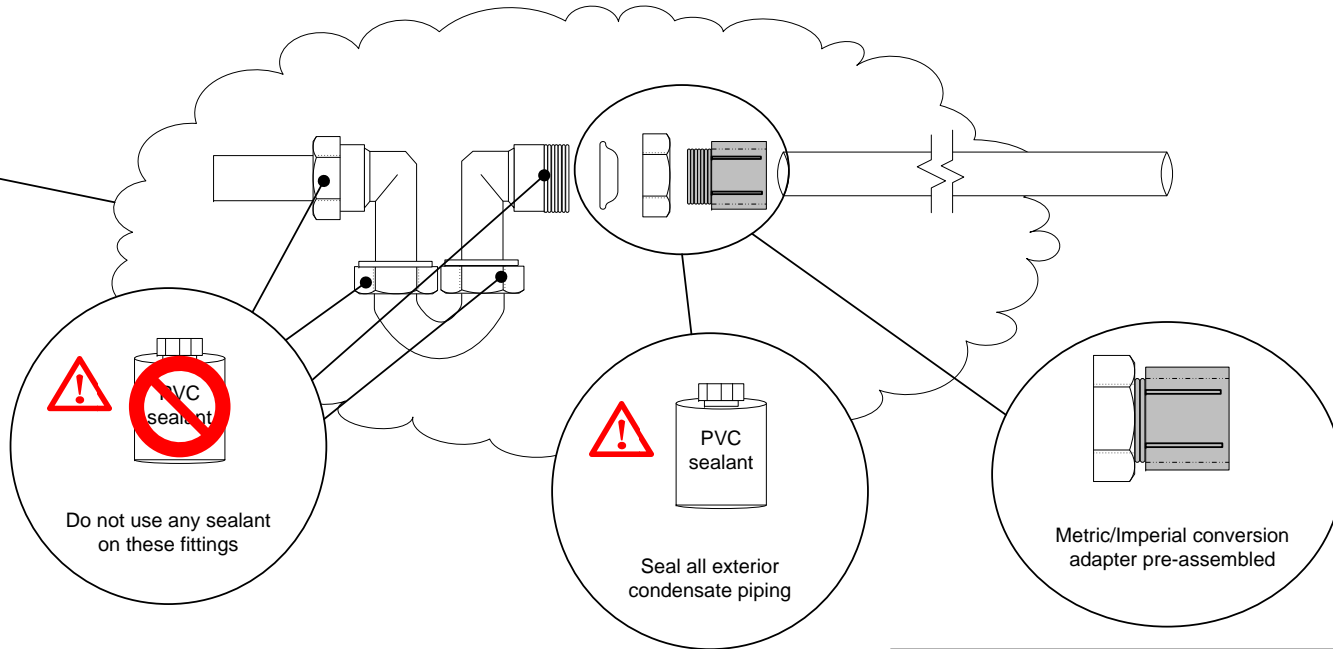
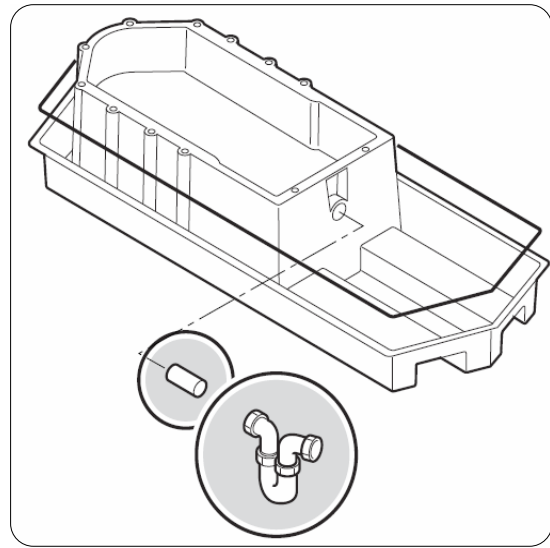


## C230 Eco-A Series Condensate Trap Assembly



**WARNING: FLUE GAS CONDENSATION IS VERY CORROSIVE (pH < 3)**

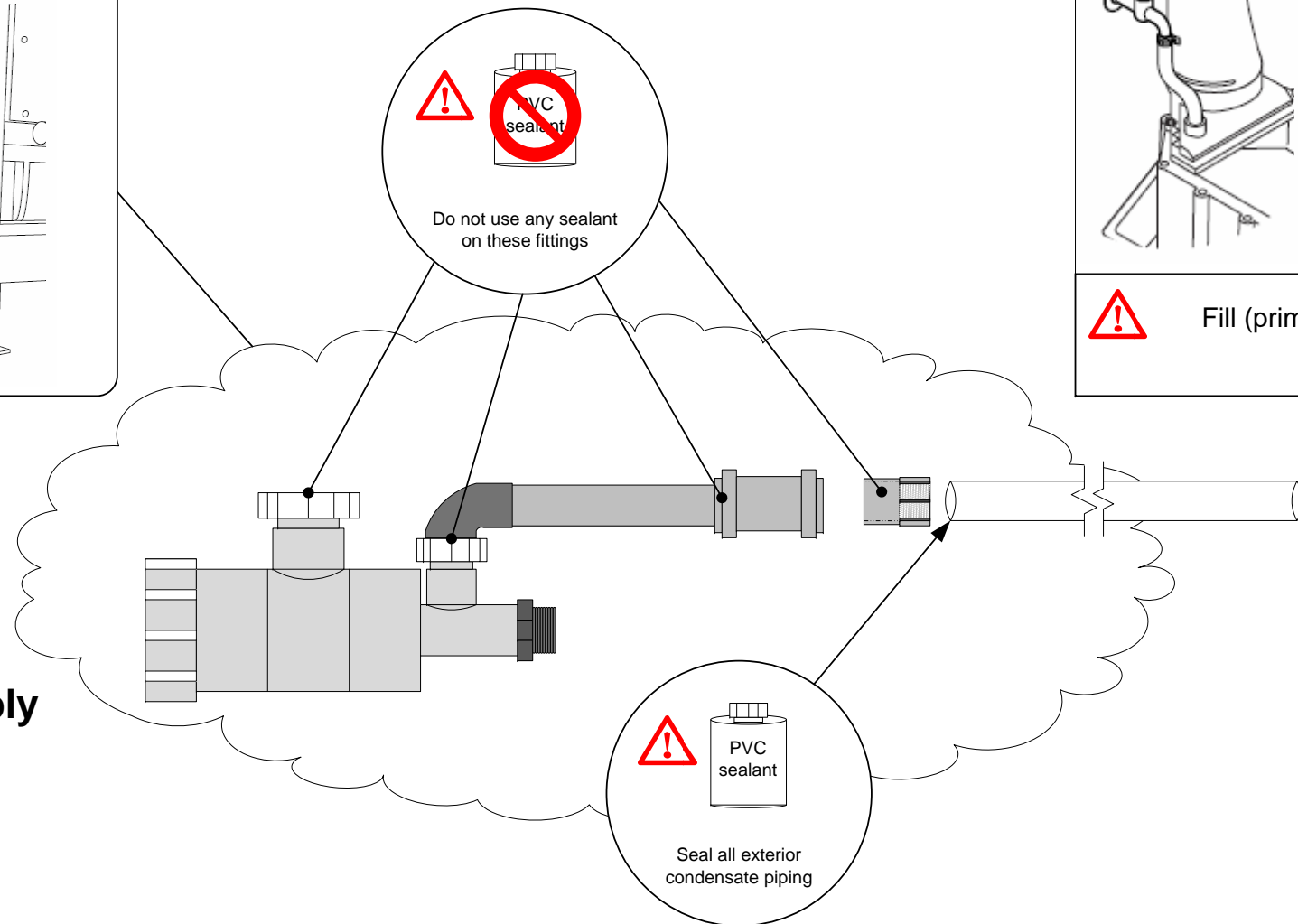
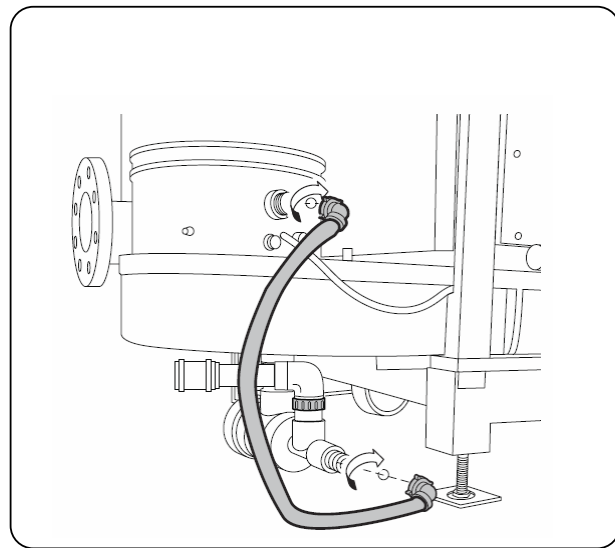
Always use materials that are suitable for flue gas condensation.

Flue gas condensate piping to nearby non corrosive drain or to neutralizer system.

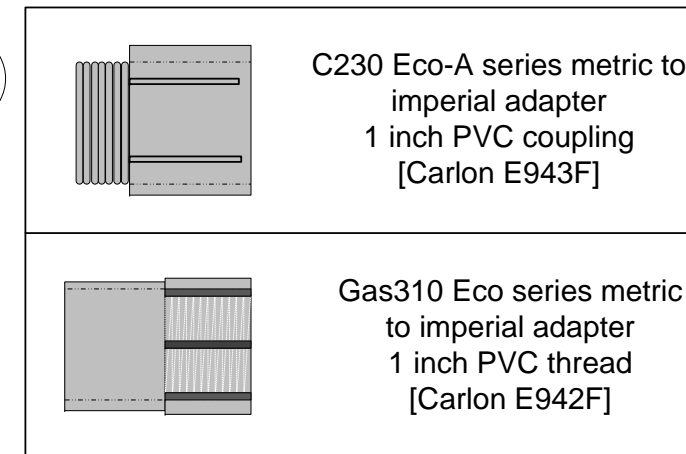
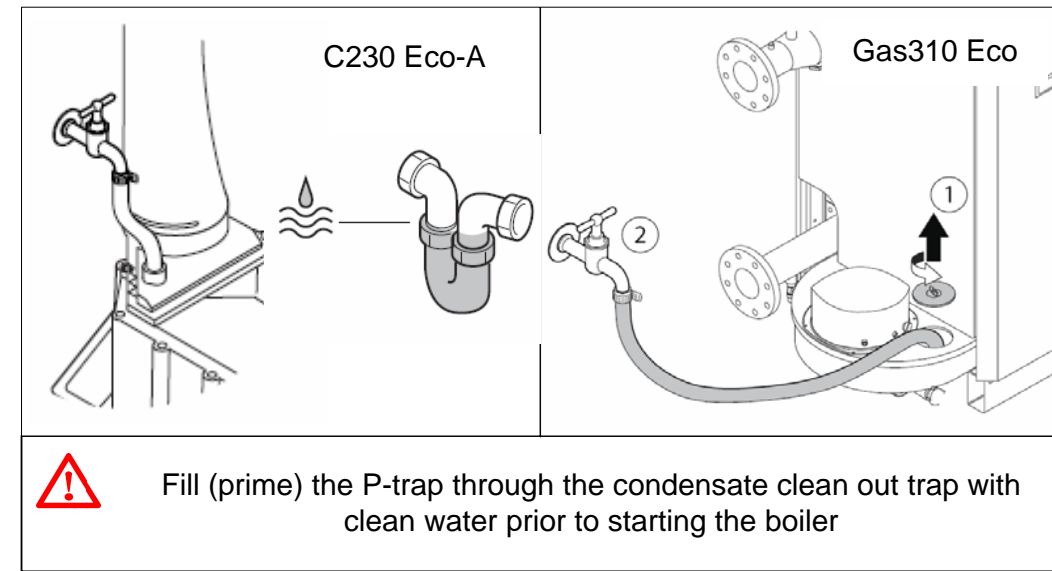
Piping must be sloped downward (below the grade of the P- trap) at least ¼ - ½ per linear foot [30mm/m]

All condensate piping supplied and installed by others.

Consult respective boiler manual for other technical information.



## Gas310 Eco Series Condensate Trap Assembly



Revisions		Description		Date		Initial	

Description		C230 & Gas310 Eco Series boiler – condensate trap metric to imperial adapters and assembly	
Creator	Craig H.	Tolerances ±	None
Approved		Scale	NTS
Revision	0	Units	None
Material	PVC/CPVC	File Name	6-ECO-CTA-001
Date	05/07/10	Date [mm/dd/yy]	05/07/10

**De Dietrich**  
**BOILERS**  
 DDR Americas Inc.  
 1090 Fountain Street North, Unit 10  
 Cambridge, Ontario N3E 1A3 – Canada  
 Tel: 1.800.943.6275 Fax: 519.650.1709  
 Website: www.dedietrichboilers.com