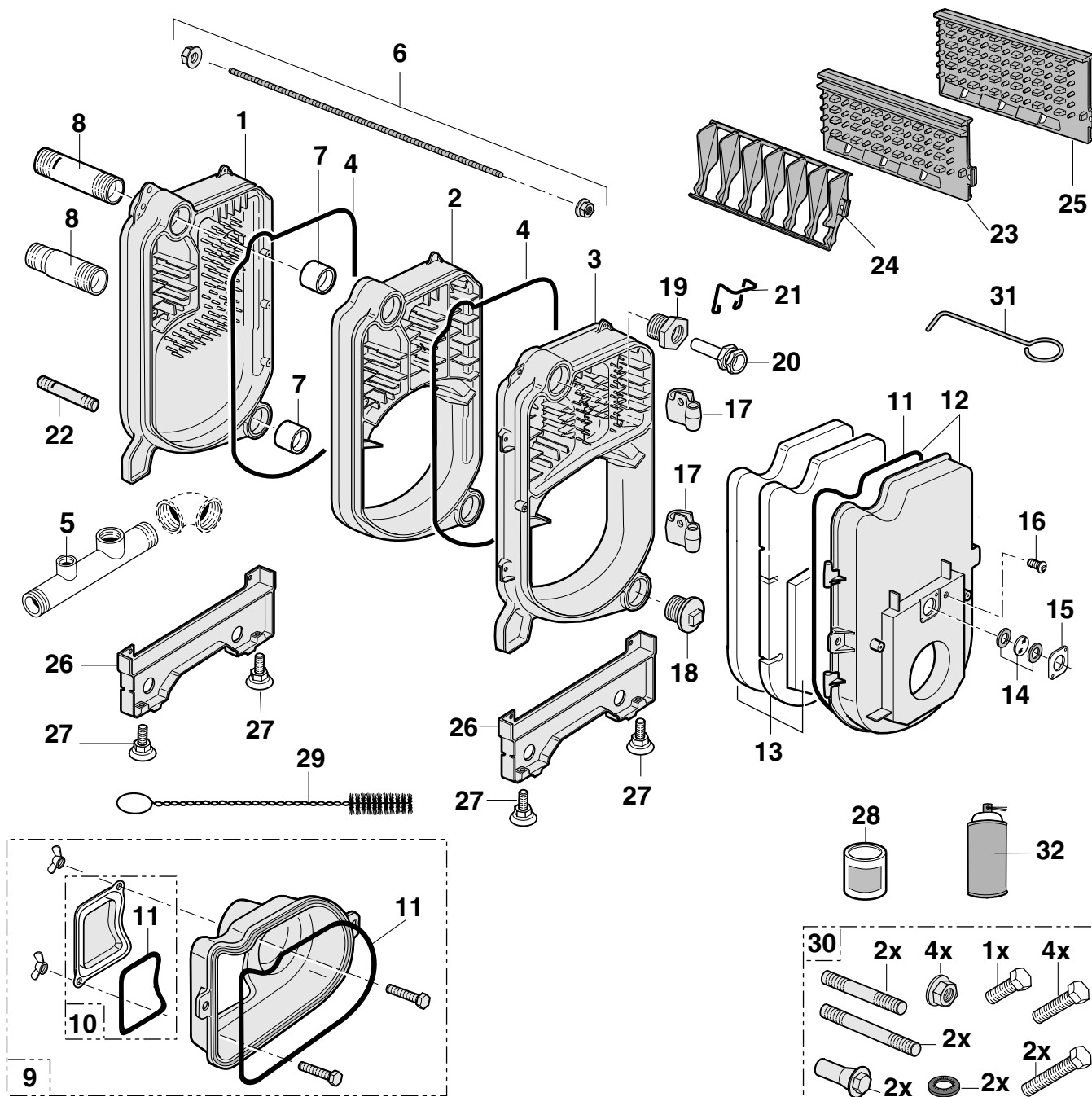




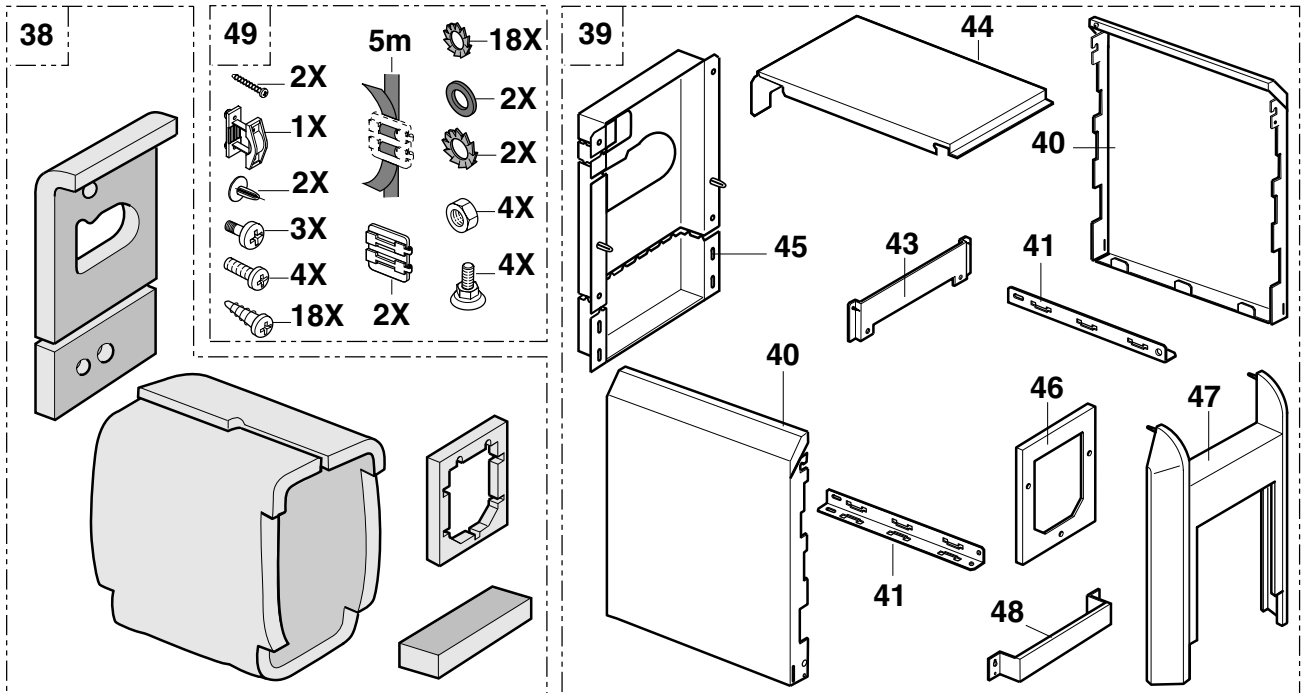
When ordering spare parts, do not forget to state the code number given opposite the description of the required part in the list.

BOILER BODY



8227N154

CASING + INSULATION



8227N062A

Ref.	Code no.	DESCRIPTION
BOILER BODY		
1	8227-0033	Rear section, GT 220
2	20000-4483	Intermediate section, GT 220
3	8227-0032	Front section, GT 220
4	9508-6036	8 Ø silicone seal
5	9754-9101	Flow pipe 4, 5 sections
5	9754-9151	Flow pipe 6 to 8 sections
6	8227-5506	M 8-440 assembly rod, 4 sections
6	8227-5507	M 8-580 assembly rod, 5 sections
6	8227-5508	M 8-700 assembly rod, 6 sections
6	8227-5509	M 8-820 assembly rod, 7 sections
6	8227-5510	M 8-1000 assembly rod, 8 sections
7	8336-0507	Painted nipple
8	9754-9150	1"1/4 outlet/return tube, 4 or 5 sections
8	9754-9149	1"1/2 outlet/return tube, 6-7 sections
8	300001330	1"1/2 outlet/return tube, 8 sections
9	8227-8503	150 Ø painted nozzle, 4 or 5 sections
9	8227-8504	180 Ø painted nozzle, 4 or 5 sections
10	8227-5511	Sweeping trap + seal
11	9508-6032	10 Ø silicone fibreglass seal
12	8227-8531	Complete burner door, 4 or 5 sections
12	8227-8532	Burner door, 6-8 sections
13	8227-5504	Complete burner door insulation, 4 or 5 sections
13	8227-5505	Complete burner door insulation, 6 or 8 sections
14	8015-7700	Sight glass + seals
15	9757-0027	Sight glass flange
16	9495-0050	1/4" no. 290 plug
17	8227-0201	Adjustable painted hinge
18	9495-0249	1 1/2" plug NR 290
19	9494-8312	1 1/2" plug with 1/2" tapping
20	8500-0027	Thimble tube
21	9758-1286	Thimble tube spring
22	9754-9152	Draining tube
23	8227-0011	14 ^{12/16} long central baffle
23	8227-0017	11 ^{13/16} long central baffle
24	8227-0012	Left-hand baffle
24	8227-0020	Left-hand baffle, 7 or 8 sections
25	8227-0018	14 ^{12/16} long right-hand baffle
25	8227-0019	11 ^{13/16} long right-hand baffle
26	8227-0202	GT 210 painted height converter
27	9786-0646	Adjustable foot
28	9430-5027	Coating material for nipple (300 g)
29	9696-0225	30 ^{5/16} long brush
29	9696-0226	47 ^{1/4} long brush

Ref.	Code no.	DESCRIPTION
30	8227-8502	Bag of fasteners for body
31	9602-0671	Hook for baffles
32	9434-5102	Retouching spray paint - anthracite grey
32	9434-5104	Retouching spray paint - ivory
INSULATING MATERIAL		
38	8227-5512	Complete body insulation, 4 sections
38	8227-5513	Complete body insulation, 5 sections
38	8227-5514	Complete body insulation, 6 sections
38	8227-5515	Complete body insulation, 7 sections
38	8227-5516	Complete body insulation, 8 sections
BOILER CASING		
39	8227-8514	Complete casing, 4 sections
39	8227-8515	Complete casing, 5 sections
39	8227-8516	Complete casing, 6 sections
39	8227-8517	Complete casing, 7 sections
39	8227-8518	Complete casing, 8 sections
40	8227-8524	Complete side panel, 4 sections
40	8227-8525	Complete side panel, 5 sections
40	8227-8526	Complete side panel, 6 sections
40	8227-8527	Complete side panel, 7 sections
40	8227-8528	Complete side panel, 8 sections
41	8227-8005	Lower side piece, 4 sections
41	8227-8014	Lower side piece, 5 sections
41	8227-8015	Lower side piece, 6 sections
41	8227-8016	Lower side piece, 7 sections
41	8227-8017	Lower side piece, 8 sections
43	8227-8543	Complete rear upper crossbar
44	8199-8830	Complete cover, 4 sections
44	8199-8831	Complete cover, 5 sections
44	8199-8841	Complete cover, 6 sections
44	8227-8529	Complete cover, 7 sections
44	8227-8530	Complete cover, 8 sections
45	8227-8558	Single-piece rear panel
46	8227-0504	Painted furnace door panel
47	8227-8512	Complete GT 210 front panel
48	8227-8544	Painted lower front panel
49	8227-8513	Bag of fasteners for casing
CONTROL PANEL (DR 90)		
60	8199-8777	Complete control panel
61	8227-8580	Complete component support
62	9750-9009	Electromechanical front plate
63	9532-5027	Two-pole green On/Off switch
64	8500-0034	STB Test switch
65	9532-5103	Reversing switch
66	9654-7019	10 A fuse

Ref.	Code no.	DESCRIPTION
67	9655-0069	Clip-in fuse-holder (4.8 x 0.5)
68	8500-0032	110° C safety thermostat
69	8500-0002	30 - 90° C setting thermostat
70	8218-8973	Setting buttons + pins
71	8536-5155	GM flat thermometer
72	8199-4906	CP electrical circuit
73	8227-4908	Sensor wiring
74	8199-8984	Fasteners + accessories for control panel
75	9536-2632	Hour run meter 100/130V