

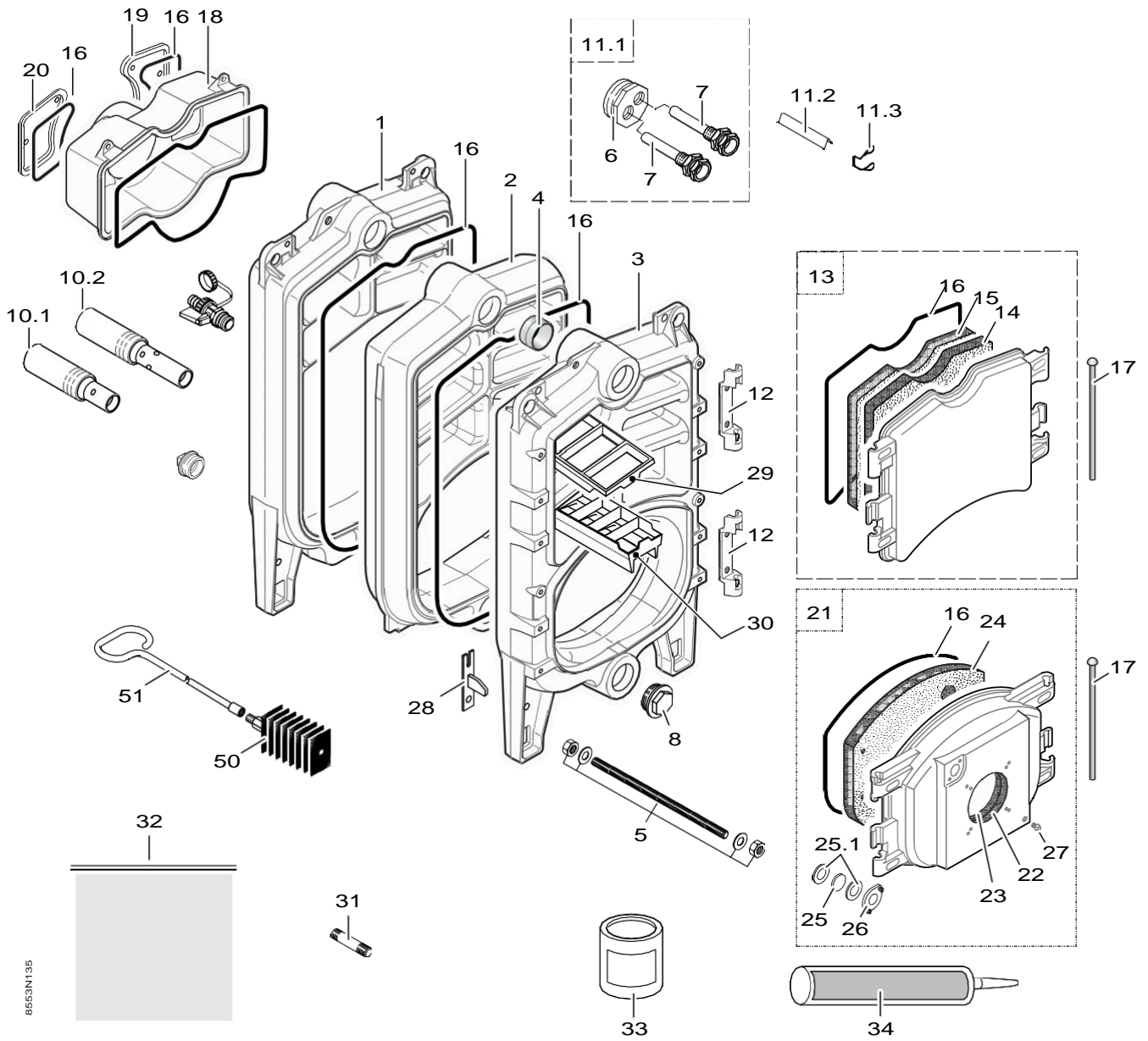
# Spare parts - GT 330 A

06/10/06 - 8553-4312B



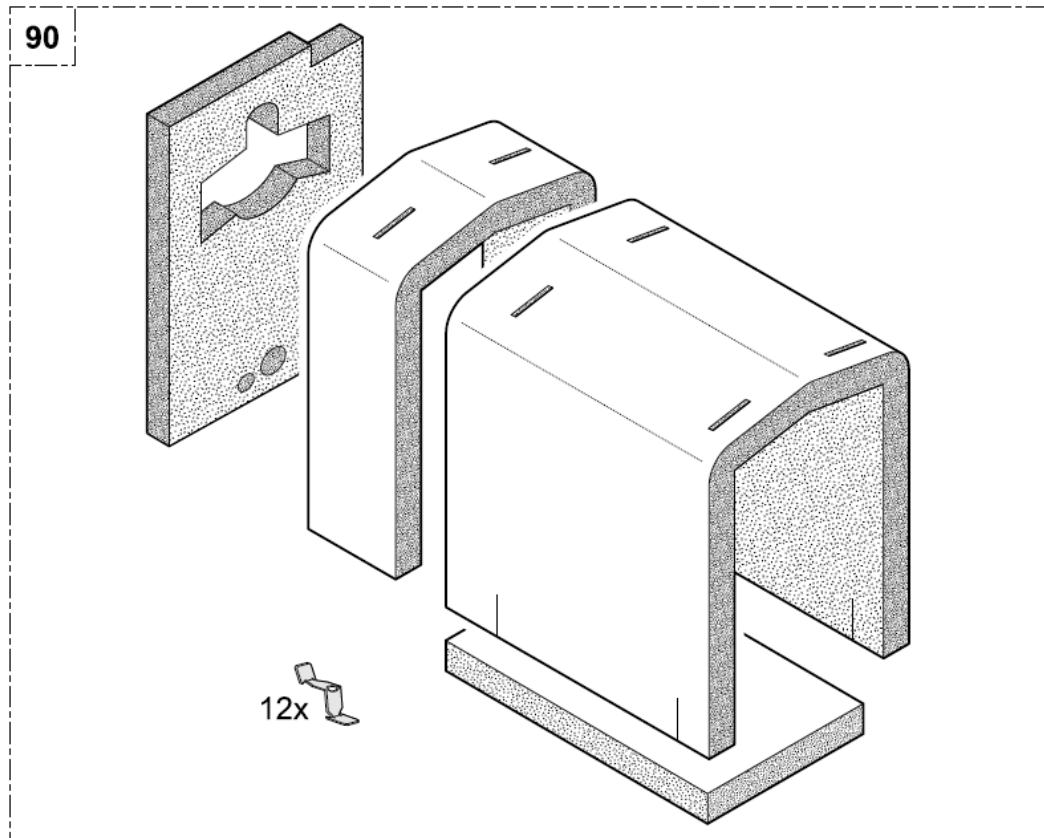
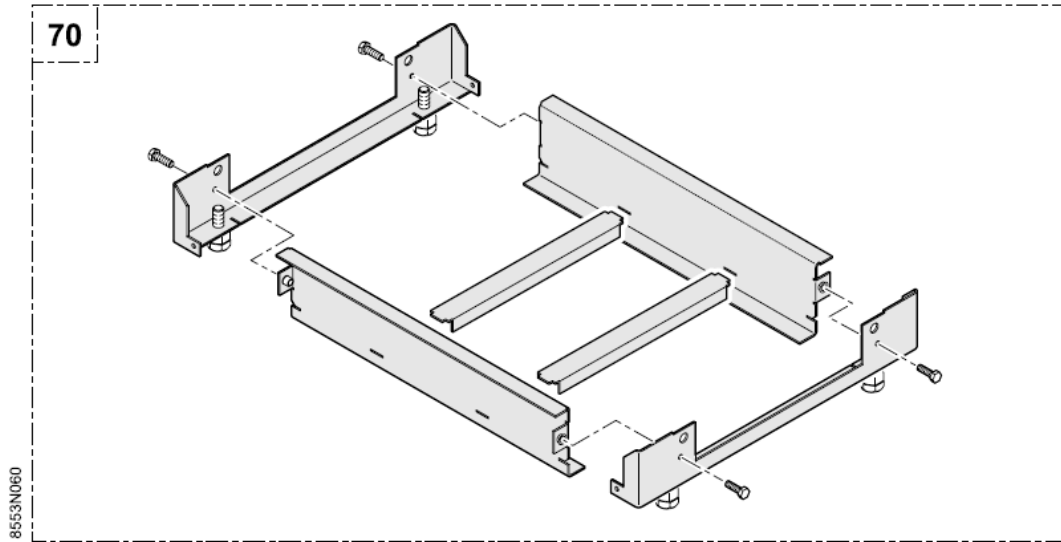
While ordering spare parts, do not forget to provide the code number given opposite the part reference.

## BOILER BODY AND ACCESSORIES

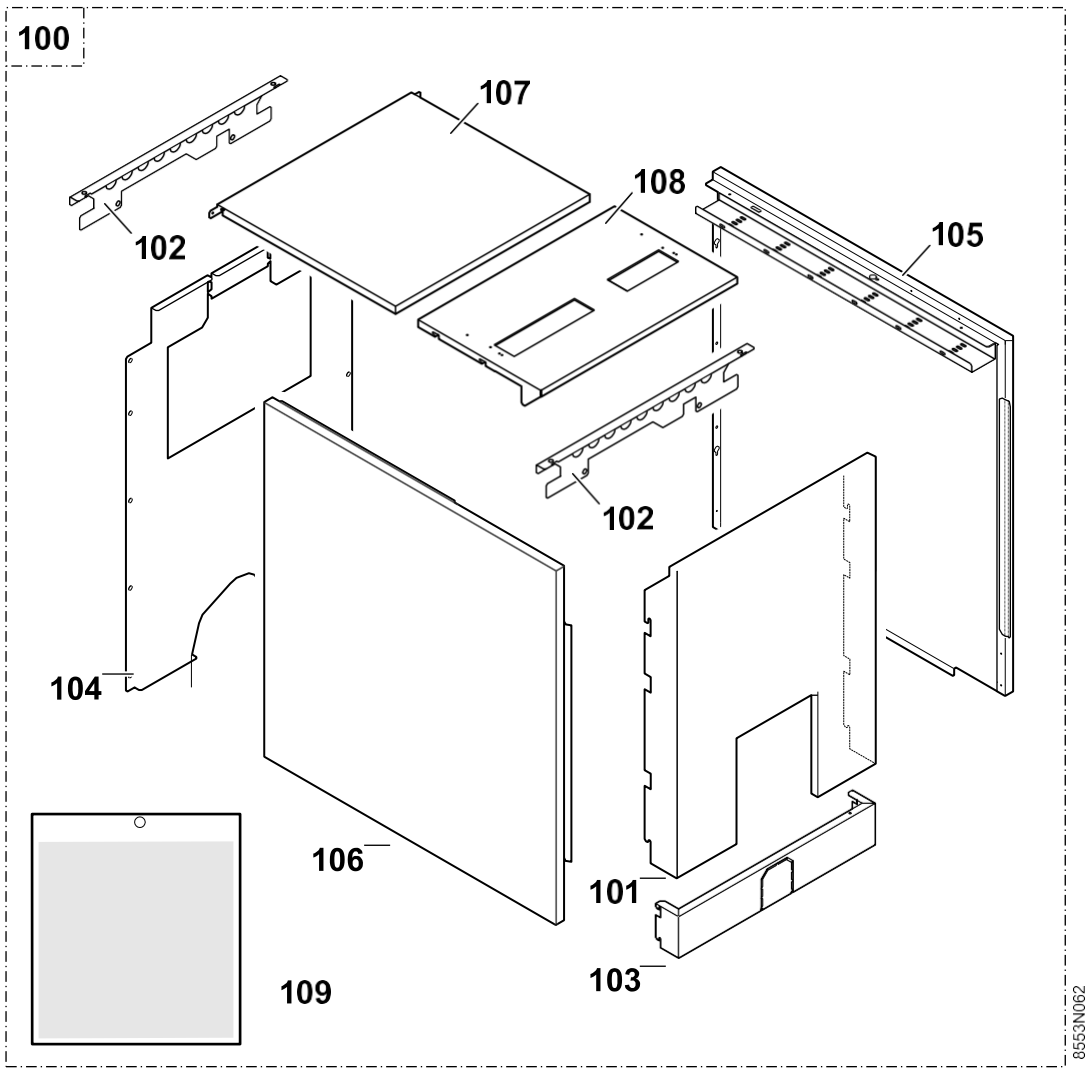


8553N135

## BASE FRAME + INSULATION



# CASING



Ref.	Code no.	DESCRIPTION
<b>BOILER BODY</b>		
1	8219-0032	Complete rear section
2	8219-8966	Complete intermediate section
3	8219-8976	Complete front section
4	8116-0571	Nipple
5	8219-8944	Complete 4 section assembly rod
5	8219-8945	Complete 5 section assembly rod
5	8219-8946	Complete 6 section assembly rod
5	8219-8947	Complete 7 section assembly rod
5	8219-8948	Complete 8 section assembly rod
5	8219-8949	Complete 9 section assembly rod
6	8209-0049	2 <sup>1/2</sup> " plug with 2 holes
7	9536-5611	Well
8	8209-0048	Plain plug
10.1	9754-9934	Water balancing tube GT 306 A to GT 308 A
10.2	9754-9935	Water balancing tube GT 309 A
11.1	8209-8948	2 <sup>1/2</sup> " plug with 2 holes + well
11.2	9536-5613	Separator for well
11.3	9758-1286	Spring for well
12	8104-8984	Hinge
13	8219-8916	Complete cleaning door
14	9425-0306	Internal cleaning door insulation
15	9425-0305	External cleaning door insulation
16	9508-6032	Ø 10 thermocord
17	9756-0203	Pin for hinge
18	8219-8913	Complete nozzle Ø 180 - 4 to 6 sections
18	8219-8914	Complete nozzle Ø 200 - 7 to 9 sections
19	8219-0206	Right nozzle plug
20	8219-0207	Left nozzle plug
21	8219-8953	Complete burner door Ø 135 mm
21	8219-8729	Complete burner door Ø 190 mm
22	9425-0303	Internal burner door protection
23	9425-0302	Intermediate burner door protection
24	9425-0301	External burner door insulation
25	9500-6017	Glass for inspection window
25.1	9501-0080	Gaskets for inspection window
26	9757-0027	Inspection flange
27	9495-0050	1/4" plug
28	8219-0539	Guide flap for burner door
29	8219-0017	Upper baffles length 410 mm
29	8219-0018	Upper baffles length 570 mm
30	8219-0019	Lower baffles length 412 mm
30	8219-0020	Lower baffles length 572 mm
31	9601-0107	M8-60/52 studs

DESCRIPTION		
31	9601-0260	M12x33/26 studs
31	9601-0302	M12x61/57 studs
32	8219-8957	Bag of screws for boiler body
33	9430-5027	Putty for nipples
34	9428-5095	Silicone putty tube
<b>MISCELLANEOUS</b>		
50	9750-5025	Brush
51	9750-5076	Brush rod length 1000 mm
51	9750-5060	Brush rod length 1300 mm
<b>BASE FRAME</b>		
70	8553-7060	Complete base frame, 4 sections - package FD 30
70	8553-7061	Complete base frame, 5 sections - package FD 31
70	8553-7062	Complete base frame, 6 sections - package FD 32
70	8553-7063	Complete base frame, 7 sections - package FD 33
70	8553-7064	Complete base frame, 8 sections - package FD 34
70	8553-7065	Complete base frame, 9 sections - package FD 35
<b>INSULATING MATERIAL</b>		
90	8553-5507	Complete boiler body insulation, 4 sections
90	8553-5508	Complete boiler body insulation, 5 sections
90	8553-5509	Complete boiler body insulation, 6 sections
90	8553-5510	Complete boiler body insulation, 7 sections
90	8553-5511	Complete boiler body insulation, 8 sections
90	8553-5512	Complete boiler body insulation, 9 sections
<b>CASING</b>		
100	8553-5500	Complete casing, 4 sections
100	8553-5501	Complete casing, 5 sections
100	8553-5502	Complete casing, 6 sections
100	8553-5503	Complete casing, 7 sections
100	8553-5504	Complete casing, 8 sections
100	8553-5505	Complete casing, 9 sections
101	8219-1000	Insulated front panel
102	8553-8000	Upper fastening bracket
103	8553-5506	Insulated lower cover
104	8553-8519	Complete rear panel
105	8553-8500	Right-hand side panel, 4 sections
105	8553-8501	Right-hand side panel, 5 sections
105	8553-8502	Right-hand side panel, 6 sections
105	8553-8503	Right-hand side panel, 7 sections
105	8553-8504	Right-hand side panel, 8 sections
105	8553-8505	Right-hand side panel, 9 sections
106	8553-8506	Left-hand side panel, 4 sections

Ref.	Code no.	DESCRIPTION
106	8553-8507	Left-hand side panel, 5 sections
106	8553-8508	Left-hand side panel, 6 sections
106	8553-8509	Left-hand side panel, 7 sections
106	8553-8510	Left-hand side panel, 8 sections
106	8553-8511	Left-hand side panel, 9 sections
107	8553-8512	Rear cover, 4 sections
107	8553-8513	Rear cover, 5 sections
107	8553-8514	Rear cover, 6 sections
107	8553-8515	Rear cover, 7 sections
107	8553-8516	Rear cover, 8 sections
107	8553-8517	Rear cover, 9 sections
108	8553-8518	Complete front cover
109	8553-8520	Bag of casing fasteners