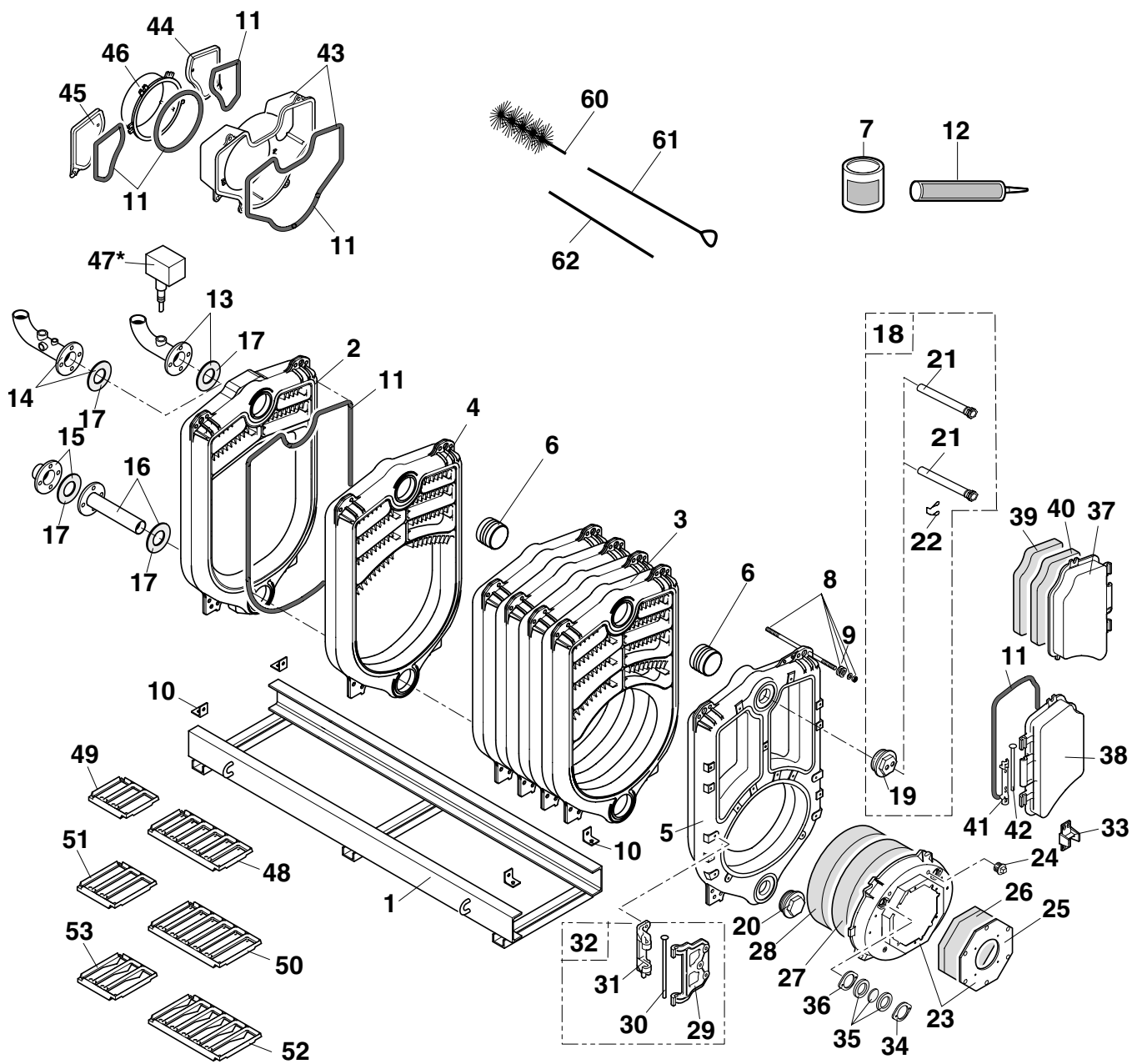


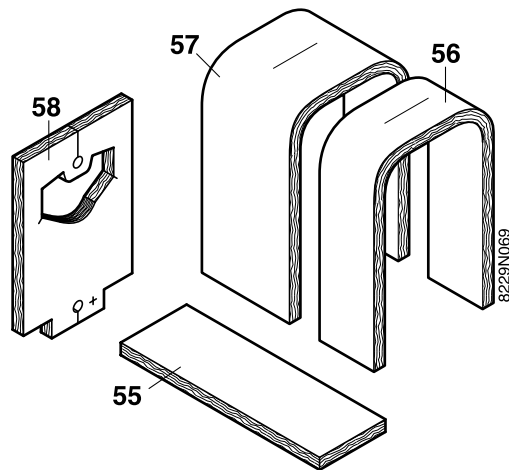


when ordering spare parts, do not forget to state the code number given opposite the description of the required part in the list.

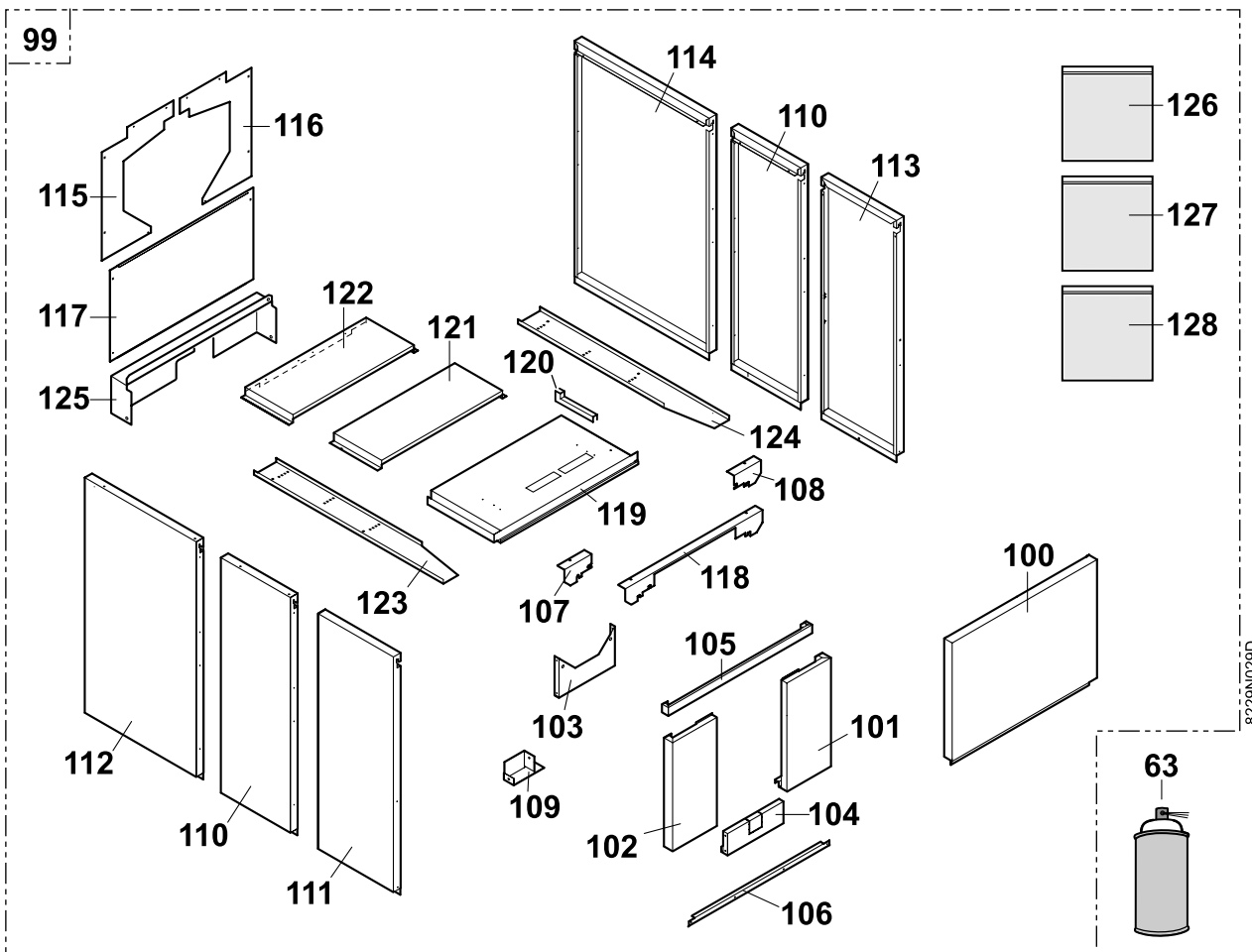
BOILER BODY AND ACCESSORIES



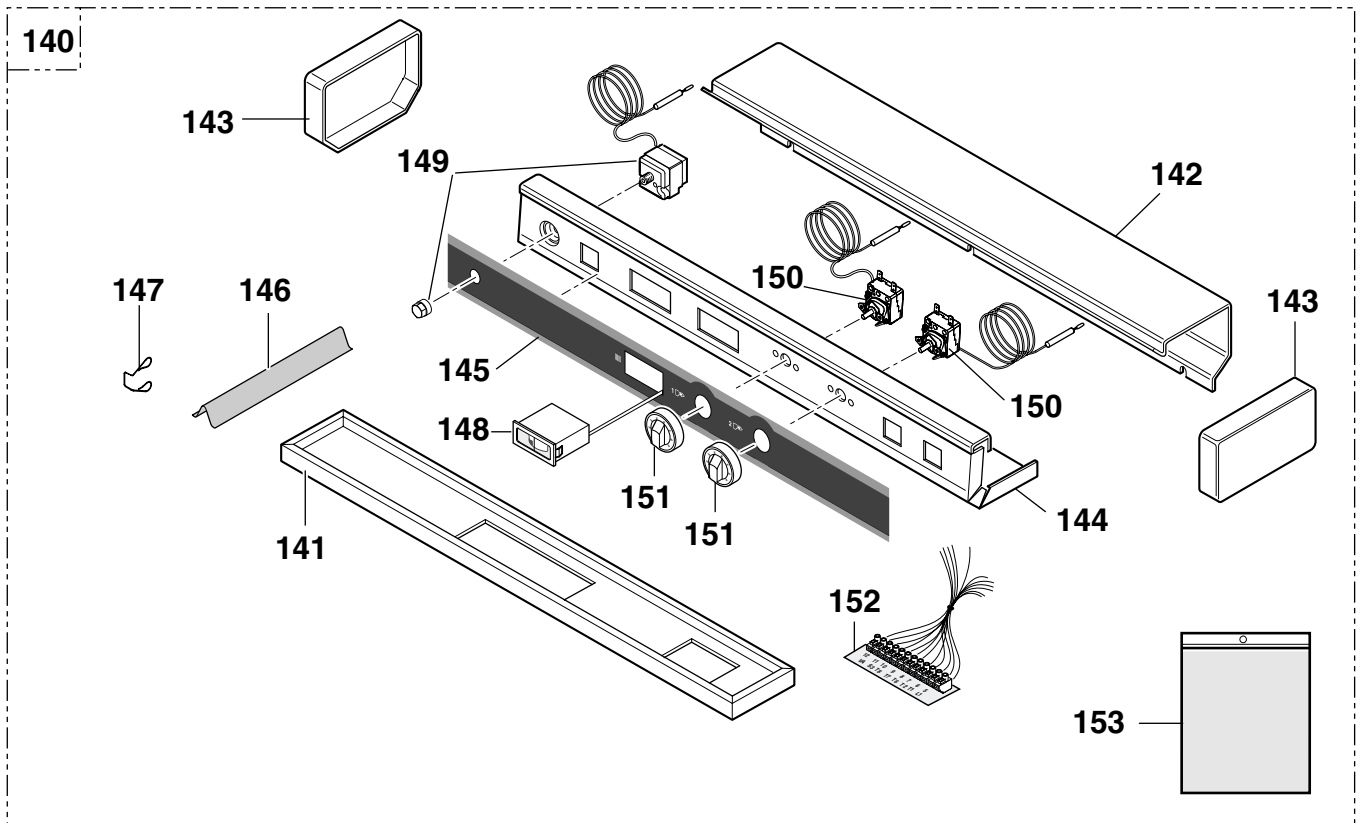
INSULATION



CASING



CONTROL PANEL



Ref.	Code no.	DESCRIPTION
BOILER BODY		
1	9757-0091	Complete underframe 8 sections
1	9757-0092	Complete underframe 9 and 10 sections
1	9757-0093	Complete underframe 11 and 12 sections
1	9757-0094	Complete underframe 13 and 14 sections
2	8229-8945	Complete rear section
3	8229-0041	Normal intermediate section
4	8229-0045	Special intermediate section
5	8229-0042	Complete front section
6	8005-0200	Nipple
7	9430-5027	Coating material for nipples
8	8229-8919	Complete assembly rod Ø 14 - Length 425
8	8229-8920	Complete assembly rod Ø 14 - Length 620
8	8229-8921	Complete assembly rod Ø 14 - Length 784
9	9754-0120	Spring
10	9752-5232	Attachment bracket
11	9508-6032	Thermocord
12	9428-5095	Silicone putty
13	8229-8948	Water flow flange + gasket 3" until the end of 97
14	8229-5502	Water flow flange + gasket 3" from 01/98 onwards
15	8229-8949	Water return flange (to be welded) + gasket 3"
16	8229-8950	Water balancing tube + gasket 11 to 14 sections
17	9501-4127	Gasket 135 x 80 x 4
18	8229-8946	Complete plug (2 holes)
19	8209-0049	2 ¹ / ₂ " plug with 1/2" hole
20	8209-0048	Full plug 2 ¹ / ₂ "
21	8500-0027	Well 1/2"
22	9758-1286	Spring for well
23	8229-8910	Complete burner door Ø 7 ¹ / ₂ "
24	9495-0050	1/4" plug
25	8229-0531	Burner door plate with hole Ø 7 ¹ / ₂ "
26	9755-0258	Burner door plate insulation
27	9755-0259	Protection to burner door
28	9755-0260	Burner door insulation
29	8229-0204	Added hinge
30	9756-0213	Burner door axle Ø 18
31	8229-0205	Burner door hinge
32	8229-8944	Set of hinges Ø 18 ref. 23 + 24 + 25
33	8229-0206	Ramp
34	9757-0027	Flange for flame supervision window
35	8015-7700	Glass for flame supervision window + gaskets
36	9501-0080	Seal for flame supervision window
37	8229-8905	Complete right hand cleaning door
38	8229-8906	Complete left hand cleaning door

Ref.	Code no.	DESCRIPTION
39	9755-0256	Cleaning door insulation
40	9755-0257	Cleaning door protection
41	8229-0202	Hinge for cleaning door
42	9756-0214	Pin for cleaning door
43	8229-8907	Complete smoke box
44	8229-8908	Complete right hand cleaning trap
45	8229-8909	Complete left hand cleaning trap
46	8229-8916	Flue nozzle Ø 250 - 8 to 10 sections
46	8229-8917	Flue nozzle Ø 300 - 11 to 14 sections
47	8802-4720	Flow switch GT 408 A
47	8802-4721	Flow switch GT 409 A
47	8802-4724	Flow switch GT 410 A
47	8802-4726	Flow switch GT 411 A
47	8802-4728	Flow switch GT 412 A
47	8802-4729	Flow switch GT 413 A / 414 A
48	8229-0010	Upper baffle width 190
49	8229-0022	Complementary upper baffle width. 190
50	8229-0011	Upper baffle width 240
51	8229-0023	Complementary upper baffle width. 240
52	8229-0012	Lower baffle
53	8229-0024	Complementary lower baffle
BODY INSULATION		
55	8229-4010	Lower body insulation 8 sections
55	8229-4016	Lower body insulation 9, 10 sections
55	8229-4034	Lower body insulation 11, 12 sections
55	8229-4036	Lower body insulation 13, 14 sections
56	8229-4004	Front body insulation width 520
57	8229-4015	Body insulation width 520
57	8229-4018	Body insulation width 600
57	8229-4009	Body insulation width 820
57	8229-4012	Body insulation width 920
58	8229-4005	Rear insulation
MISCELLANEOUS		
60	9750-5025	Brush
61	9750-5060	Brush rod length 1300
62	9750-5048	Extension piece for brush rod length 650
63	9434-5102	Retouching spray paint - anthracite gray
63	9434-5104	Retouching spray paint - ivory
CASING		
99	8229-8841	Complete casing 8 sections
99	8229-8842	Complete casing 9 sections
99	8229-8843	Complete casing 10 sections

Ref.	Code no.	DESCRIPTION
99	8229-8844	Complete casing 11 sections
99	8229-8845	Complete casing 12 sections
99	8229-8846	Complete casing 13 sections
99	8229-8847	Complete casing 14 sections
100	8229-1006	Complete upper front panel
101	8229-1001	Complete right hand lower front panel
102	8229-1003	Complete left hand lower front panel
103	8229-1004	Complete upper front burner panel
104	8229-1005	Complete lower front burner panel
105	8229-8834	Complete front casing bracket
106	8229-0537	Lower front cross bar
107	8229-8807	Upper left hand casing bracket
108	8229-8808	Upper right hand casing bracket
109	8229-8010	Lower casing bracket
110	8229-0508	Left or right hand side panel width 480
111	8229-8810	Complete front left hand side panel
112	8229-8812	Complete front left hand side panel width 770
112	8229-8816	Complete front left hand side panel width 610
112	8229-8814	Complete front left hand side panel width 930
113	8229-8811	Complete front right hand side panel
114	8229-8813	Complete front right hand side panel width 770
114	8229-8817	Complete front right hand side panel width 610
114	8229-8815	Complete front right hand side panel width 930
115	8229-8835	Complete left hand upper rear panel
116	8229-8836	Complete right hand upper rear panel
117	8229-8012	Lower rear panel
118	8229-8837	Complete upper cross bar
119	8229-8809	Complete front top
120	9755-0187	Rubber profile for wiring duct
121	8229-0515	Complete intermediate top
122	8229-0518	Complete rear top width 170
122	8229-0511	Complete rear top width 330
122	8229-0514	Complete rear top width 490
123	8229-8819	Complete left hand wiring duct 8 sections
123	8229-8820	Complete left hand wiring duct 9 sections
123	8229-8821	Complete left hand wiring duct 10 sections
123	8229-8822	Complete left hand wiring duct 11 sections
123	8229-8823	Complete left hand wiring duct 12 sections
123	8229-8824	Complete left hand wiring duct 13 sections
123	8229-8825	Complete left hand wiring duct 14 sections
124	8229-8827	Complete right hand wiring duct 8 sections
124	8229-8828	Complete right hand wiring duct 9 sections
124	8229-8829	Complete right hand wiring duct 10 sections
124	8229-8830	Complete right hand wiring duct 11 sections
124	8229-8831	Complete right hand wiring duct 12 sections

Ref.	Code no.	DESCRIPTION
124	8229-8832	Complete right hand wiring duct 13 sections
124	8229-8833	Complete right hand wiring duct 14 sections
125	8229-5501	Complementary lower rear panel
126	8229-8933	Bag of screws common pieces (CS10)
127	8229-8934	Bag of screws variable pieces (CS11/12)
128	8229-8935	Bag of screws variable pieces (CS13/14)
CONTROL PANEL (FA 122)		
140	8555-7377	Complete control panel
141	8219-0508	Base for control panel
142	8219-0502	Top cover for control panel
143	9755-0143	Side cover
144	8555-8905	Front cover
145	9421-0718	Control strip
146	9536-5613	Separator for well
147	9758-1286	Spring for well
148	9536-5155	Thermometer
149	9536-5605	Safety thermometer
150	9536-5604	Thermostat
151	8219-5508	Setting button with pins
152	8555-4910	Electrical circuit
153	8555-5500	Fasteners for control panel