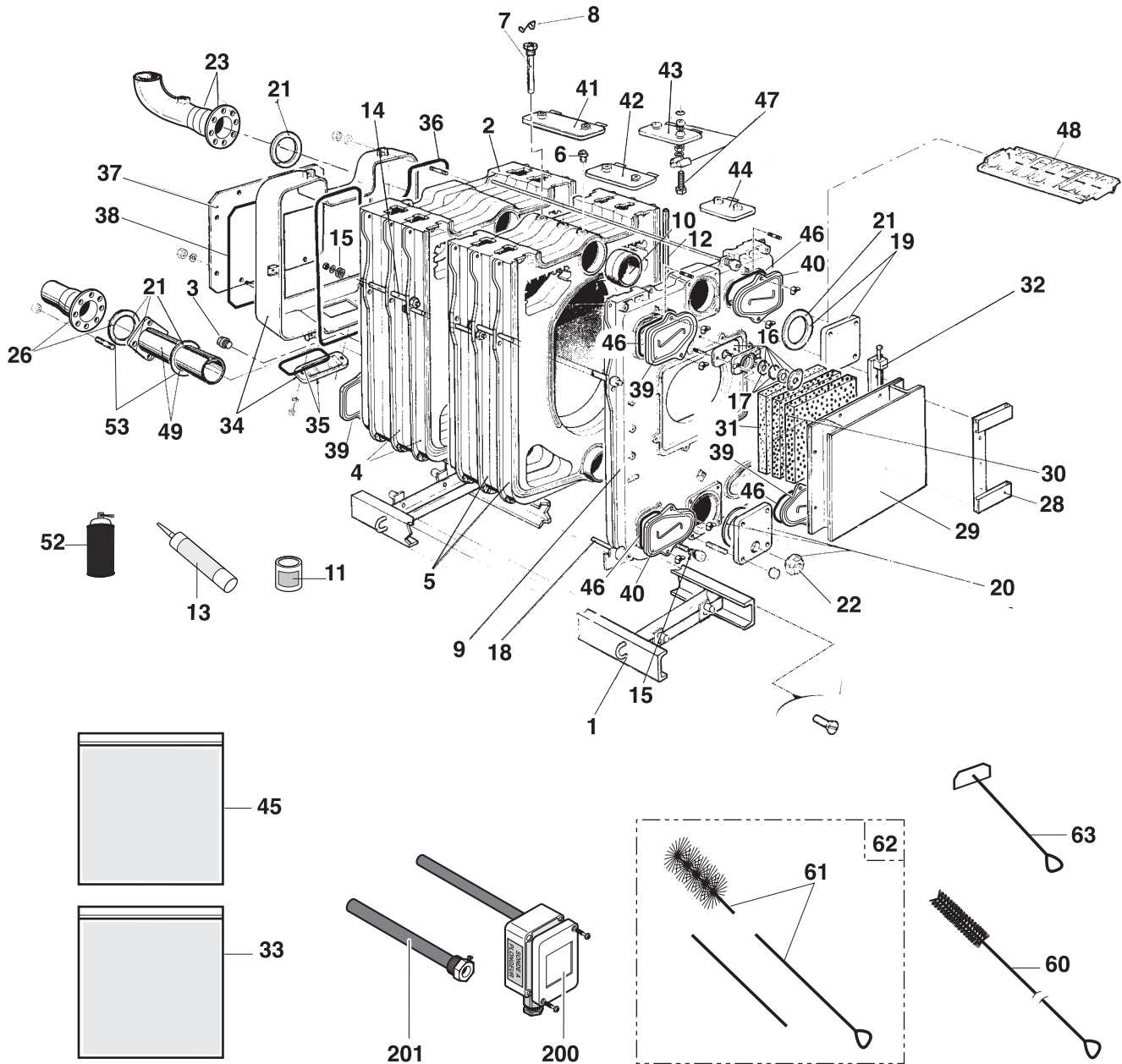


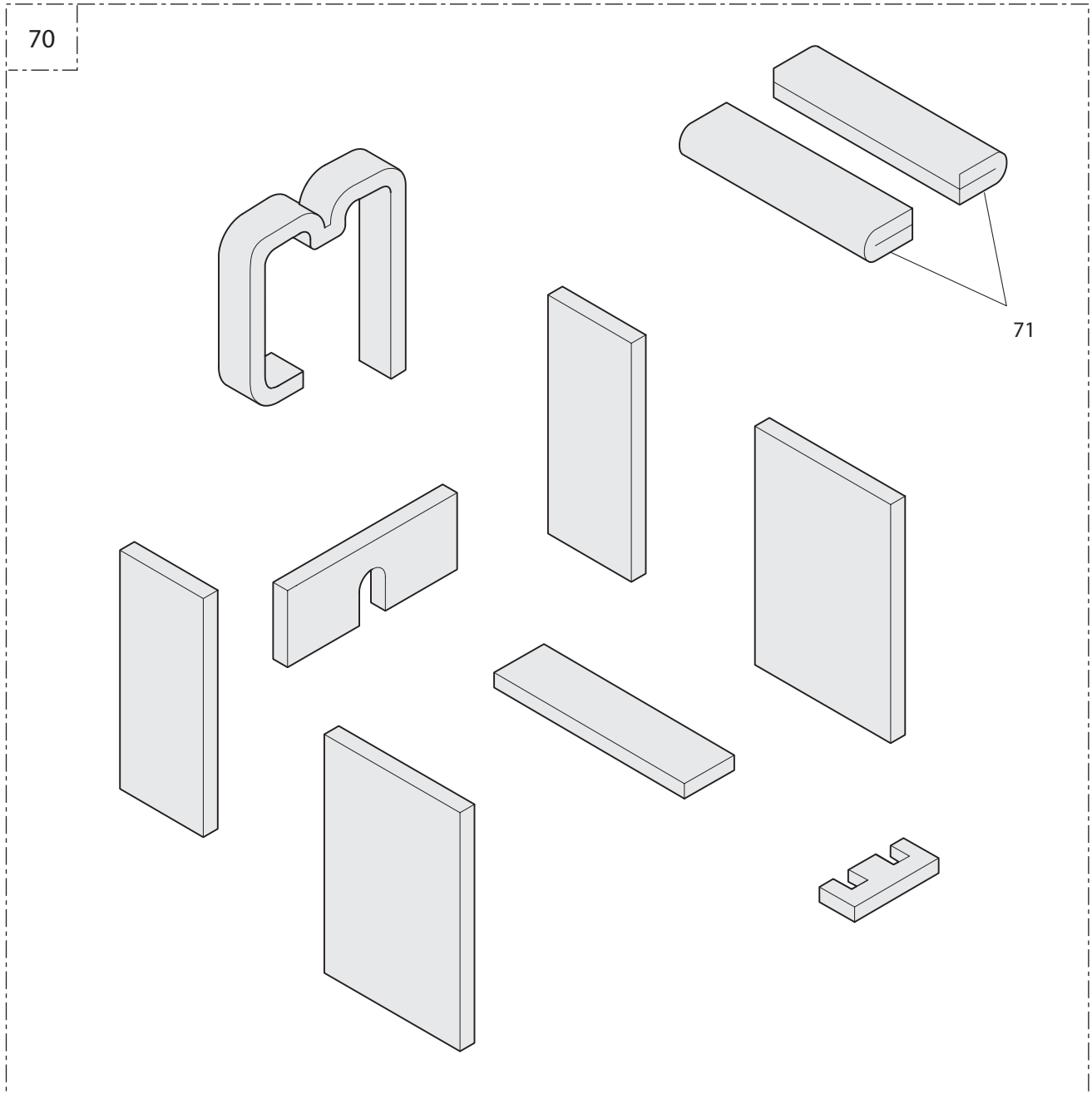
Spare parts - GTE 530A

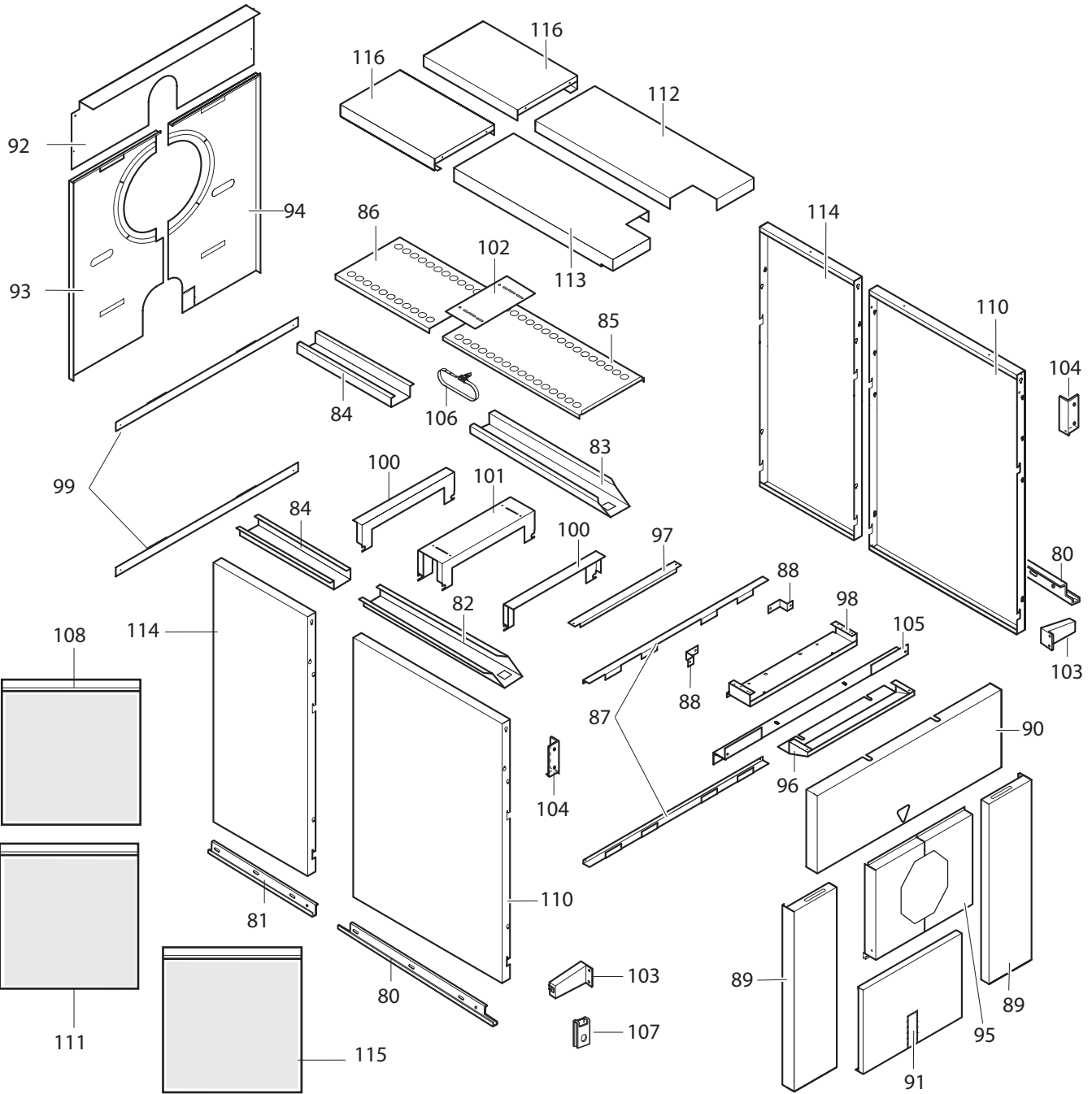
i While ordering spare parts, do not forget to provide the code number given in the list opposite the part reference.

BOILER BODY



Insulation





Ref.	Code no.	DESCRIPTION
BOILER BODY + ACCESSORIES		
1	30000-6597	Complete frame 15 sections
1	30000-6598	Complete frame 16 and 17 sections
1	30000-6599	Complete frame 18 and 19 sections
1	30000-6610	Complete frame 20 and 21 sections
1	30000-6611	Complete frame 22 and 23 sections
1	30000-6612	Complete frame 24 and 25 sections
1	30000-6613	Complete frame 26 and 27 sections
1	30000-6614	Complete frame 28 and 29 sections
1	30000-6615	Complete frame 30/31/32 sections
Body + accessories		
2	8259-8500	Complete rear section
3	9495-0140	3/4" plug. # 290
4	8228-0001	Normal intermediate section
5	8228-0002	Special intermediate section
6	9495-0110	1/2" plug. # 290
7	8500-0027	1/2" pocket
8	9758-1286	Spring for pocket
9	8228-0003	Complete front section
10	8006-0212	Painted nipple 148.62 dia.
11	9430-5027	Putty for nipple (300 g)
12	9508-6032	Silicone-coated fiberglass seal (Thermocord)
13	9428-5095	Silicone filler tube (310 ml)
14	8015-8927	Assembly rod, 12 dia. - 11 ¹³ / ₁₆ "
14	8015-8928	Assembly rod, 12 dia. - 15 ¹⁵ / ₃₂ "
14	8015-8929	Assembly rod, 12 dia. - 16 ¹⁷ / ₃₂ "
14	8015-8930	Assembly rod, 12 dia. - 20 ¹⁵ / ₃₂ "
15	9754-0120	Spring for assembly rod
16	8015-8902	Complete indicator with frame
17	8015-7700	Sight glass + gaskets
18	8015-8915	Assembly rod, 14 dia. - 70 ⁴⁵ / ₆₄ ", 15 sections
18	8015-8916	Assembly rod, 14 dia. - 75 ¹ / ₈ , 16" sections
18	8015-8917	Assembly rod, 14 dia. - 79 ⁹ / ₁₆ ", 17 sections
18	8015-8918	Assembly rod, 14 dia. - 83 ³¹ / ₃₂ ", 18 sections
18	8015-8919	Assembly rod, 14 dia. - 88 ²⁷ / ₆₄ ", 19 sections
18	8015-8920	Assembly rod, 14 dia. - 94 ¹³ / ₃₂ ", 20 sections
18	8015-8921	Assembly rod, 14 dia. - 98 ⁵⁵ / ₆₄ ", 21 sections
18	8015-8922	Assembly rod, 14 dia. - 103 ¹⁷ / ₆₄ ", 22 sections
18	8015-8923	Assembly rod, 14 dia. - 107 ²³ / ₃₂ ", 23 sections
18	8015-8924	Assembly rod, 14 dia. - 112 ¹ / ₈ ", 24 sections
18	8015-8925	Assembly rod, 14 dia. - 116 ¹⁷ / ₃₂ ", 25 sections
19	8259-5500	Blind square flange + gasket
20	8259-5501	Square flange with 2" tapped hole + gasket
21	9501-4155	Gasket 222 x 169.5 mm
22	8249-0011	2" plug
23	8259-1502	Flange with outlet piece + gasket
26	8555-5543	Flange with return piece + gasket
28	8228-8905	Complete articulation of burner plate
29	8259-0538	Plain burner door
30	9755-0235	Burner door guard

Ref.	Code no.	DESCRIPTION
31	9755-0236	Burner door insulation
32	8008-8915	Burner plate hinge
33	8555-8592	Bag of screws for cleaning doors
34	8555-5528	Flue gas outlet + braid
35	8208-0010	Cast-iron cleaning cover
36	8504-6115	15 Dia. Thermocord gasket
37	8259-0540	Connection plate Dia. 16"
37	8259-0546	Connection plate Dia. 18"
37	8259-0547	Connection plate Dia. 20"
38	9508-6041	19/32 x 23/64 adhesive gasket
39	8555-5514	Left-hand cleaning door + braid
40	8555-5541	Right-hand cleaning door + braid
41	8555-5510	N1 cleaning cover + braid
42	8555-5511	N2 cleaning cover + braid
43	8555-5512	N3 cleaning cover + braid
44	8555-5513	N4 cleaning cover + braid
45	8555-8593	Bag of screws for cleaning door
46	8508-6032	Silicone-coated fiberglass seal
47	8555-5515	Complete lock
48	8259-0010	Upper baffle
49	8259-5503	Water Balancing tube + gasket for 15 and 16 sections
49	8259-5504	Water Balancing tube + gasket for 17 to 19 sections
49	8259-5505	Water Balancing tube + gasket for 20 to 22 sections
49	8259-5506	Water Balancing tube + gasket for 23 and 24 sections
49	8259-5507	Water Balancing tube + gasket for 25 sections
49	8259-7255	Water Balancing tube + gasket for 26-32 sections
52	9434-5102	Retouching spray paint - anthracite grey
52	9434-5104	Retouching spray paint - ivory
53	9501-4156	Gasket 4"

Cleaning tools

60	9696-8026	Brush for plate
61	8013-8704	Metal brush + 70 ⁵⁵ / ₆₄ " long rod for 15 sections
62	8015-8723	Metal brush + 51 ¹³ / ₁₆ " long rod + extension for 16 to 22 sections
62	8015-8716	Metal brush + 70 ⁵⁵ / ₆₄ " long rod + extension for 23 to 25 sections
63	9750-5103	47 ¹ / ₄ " long scraper
63	9750-5106	59 ¹ / ₁₆ " long scraper
63	9750-5108	70 ⁵⁵ / ₆₄ " long scraper

Ref.	Code no.	DESCRIPTION
INSULATION		
Insulation for body		
70	8555-5521	Complete insulation for body, 15 sections
70	8555-5522	Complete insulation for body, 16 and 17 sections
70	8555-5523	Complete insulation for body, 18 and 19 sections
70	8555-5524	Complete insulation for body, 20 sections
70	8555-5525	Complete insulation for body, 21 and 22 sections
70	8555-5526	Complete insulation for body, 23 and 24 sections
70	8555-5527	Complete insulation for body, 25 sections
Insulation for cleaning covers		
71	8555-5534	Complete insulation for cleaning covers, 15 sections
71	8555-5535	Complete insulation for cleaning covers, 16 and 17 sections
71	8555-5536	Complete insulation for cleaning covers, 18 and 19 sections
71	8555-5537	Complete insulation for cleaning covers, 20 sections
71	8555-5538	Complete insulation for cleaning covers, 21 and 22 sections
71	8555-5539	Complete insulation for cleaning covers, 23 and 24 sections
71	8555-5540	Complete insulation for cleaning covers, 25 sections
BOILER CASING		
80	8555-8008	48 ^{15/64} " long rail
80	8555-8009	53 ^{3/4} " long rail
80	8555-8010	58 ^{5/64} " long rail
80	8555-8011	61 ^{39/64} " long rail
80	8555-8012	65 ^{61/64} " long rail
80	8555-8013	69 ^{31/64} " long rail
80	8555-8014	73 ^{13/16} " long rail
80	8555-8015	79 ^{23/32} " long rail
80	8555-8016	85 ^{15/64} " long rail
80	8555-8017	89 ^{9/16} " long rail
80	8555-8018	93 ^{7/64} " long rail
81	8555-8021	49 ^{1/16} " long supplementary rail
82	8555-8035	49 ^{39/64} " long left-hand wiring duct
82	8555-8036	55 ^{1/8} " long left-hand wiring duct
82	8555-8037	59 ^{29/64} " long left-hand wiring duct
82	8555-8038	63" long left-hand wiring duct
82	8555-8039	67 ^{21/64} " long left-hand wiring duct
82	8555-8040	70 ^{55/64} " long left-hand cable channel
82	8555-8041	75 ^{13/64} " long left-hand cable channel
82	8555-8042	81 ^{7/64} " long left-hand cable channel
82	8555-8043	86 ^{5/8} " long left-hand cable channel
82	8555-8044	90 ^{15/16} " long left-hand cable channel
82	8555-8045	94 ^{31/64} " long left-hand cable channel
83	8555-8048	49 ^{39/64} " long right-hand wiring duct
83	8555-8049	55 ^{1/8} " long right-hand wiring duct
83	8555-8050	59 ^{29/64} " long right-hand wiring duct
83	8555-8051	63" long right-hand wiring duct

Ref.	Code no.	DESCRIPTION
83	8555-8052	67 ^{21/64} " long right-hand wiring duct
83	8555-8053	70 ^{55/64} " long right-hand wiring duct
83	8555-8054	75 ^{13/64} " long right-hand wiring duct
83	8555-8055	81 ^{7/64} " long right-hand wiring duct
83	8555-8056	86 ^{5/8} " long right-hand wiring duct
83	8555-8057	90 ^{15/16} " long right-hand wiring duct
83	8555-8058	94 ^{31/64} " long right-hand wiring duct
84	8555-8080	47 ^{5/64} " long additional wiring duct
85	8555-8066	44 ^{17/32} " long central upper top cover
85	8555-8067	50 ^{1/32} " long central upper top cover
85	8555-8068	54 ^{3/8} " long central upper top cover
85	8555-8069	57 ^{29/32} " long central upper top cover
85	8555-8070	62 ^{1/4} " long central upper top cover
85	8555-8071	65 ^{25/32} " long central upper top cover
85	8555-8072	70 ^{7/64} " long central upper top cover
85	8555-8073	76 ^{1/32} " long central upper top cover
85	8555-8074	81 ^{17/32} " long central upper top cover
85	8555-8075	85 ^{7/8} " long central upper top cover
85	8555-8076	89 ^{13/32} " long central upper top cover
86	8555-8079	47 ^{5/64} " long additional central top cover
Common parts		
87	8259-8014	Lower front crosspiece
88	8555-8515	Fastening bracket for front side panel
89	8259-8818	Complete lower front side panel
90	8555-8516	Complete upper front panel
91	8555-8517	Complete lower front panel
92	8555-8518	Upper rear panel
93	8259-8021	Lower left-hand rear panel
94	8259-8022	Lower right-hand rear panel
95	8259-0518	Panel for burner door
96	8555-8519	Control panel trim
97	8555-8520	Rear cover for standard control panel
98	8555-8521	Control panel bracket
99	8259-8055	Lower rear crosspiece
100	8555-8522	Upper crosspiece
101	8555-8526	Intermediate upper crosspiece
102	8555-8082	Joining central plate
103	8555-8523	Lower tab of rail
104	8555-8022	Upper bracket
105	8555-0526	Upper front crosspiece
106	9532-0780	Ring
107	9775-8859	Rapid nut
108	8555-8525	Fasteners for common parts
Front side casing		
110	8555-8503	37" long front side panel
110	8555-8504	41 ^{1/3} " long front side panel
111	8555-8514	Fasteners for front side panel

112	8555-8508	37" long right-hand upper front plate for cleaning
112	8555-8509	41 ^{1/3} " long right-hand upper front plate for cleaning
113	8555-8511	37" long left-hand upper front plate for cleaning
113	8555-8512	41 ^{1/3} " long left-hand upper front plate for cleaning

Rear side casing

114	8555-8500	15 ^{3/4} " rear side panel
114	8555-8501	23 ^{5/8} " long front side panel
115	8555-8513	Fasteners for rear side panel
116	8555-8505	15 ^{3/4} " long upper rear plate
116	8555-8506	23 ^{5/8} " long upper rear plate for cleaning
