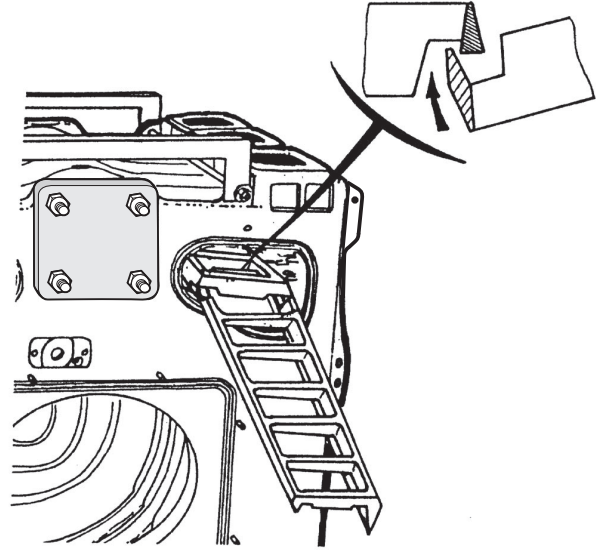


## Assembly + Set up

### 17

#### Assembling the baffle



Boiler	GT 530A -15 to 19	GT 530A-20 to 25
Total number of baffles	6	8
Package no.	CM 22 + CM 23	2XCM 23

Boiler	GT 530AE -26 to 28	GT 530AE-29 to 32
Total number of baffles	8	10
Package no.	2XCM 23	2XCM23 + CM22

- ▶ Put the baffles into place in the upper front flue ways, taking care to interlock them with each other before inserting them.