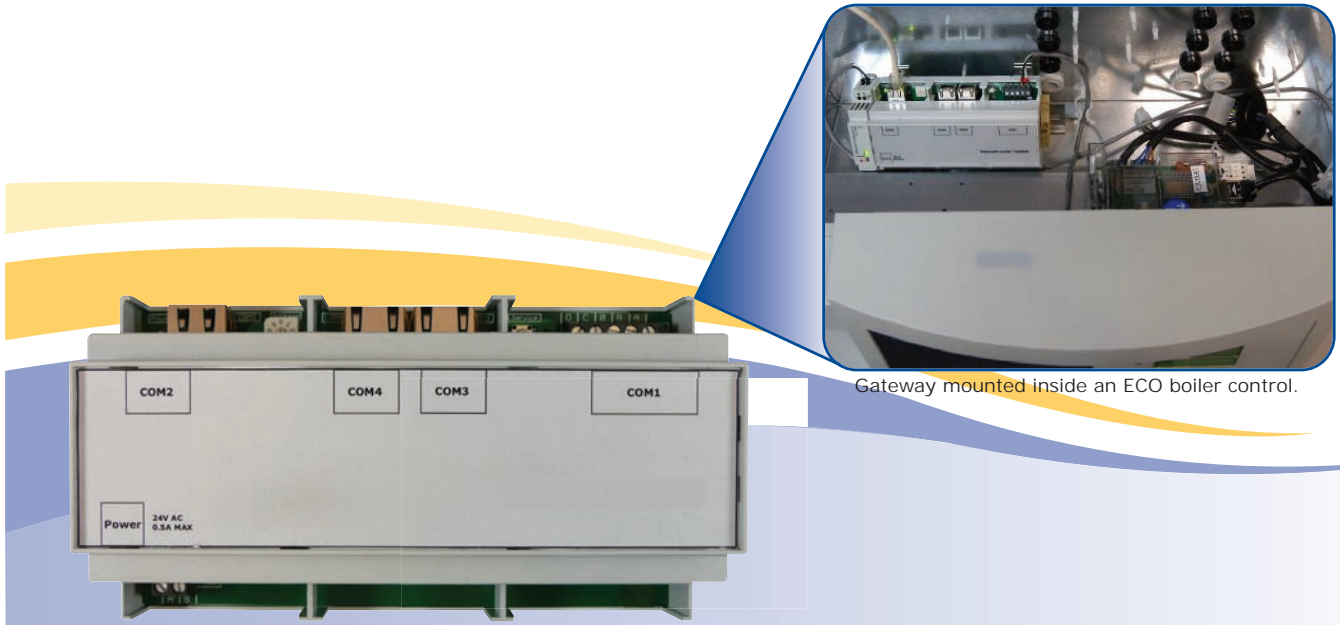


OT/BACIP Gateway



OpenTherm/BACnet-IP

For De Dietrich ECO Condensing Boilers Only



Gateway mounted inside an ECO boiler control.

Product may not be exactly as shown.



DDR Americas Inc.



1054 North DuPage Avenue
Lombard, Illinois 60148 USA
Tel: 630-953-2374 / Fax: 630-953-2376

Toll Free: 800-943-6275
info@dedietrichboilers.com



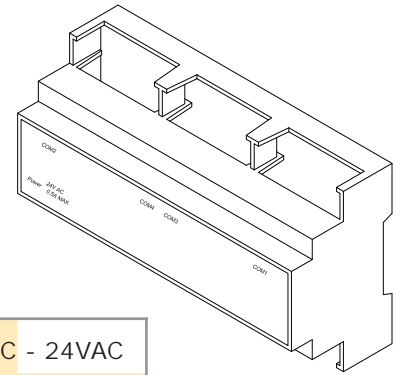
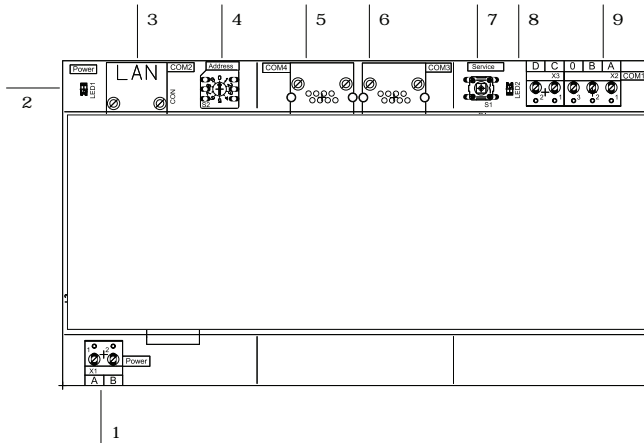
1090 Fountain Street North, Unit 10
Cambridge, Ontario N3E 1A3 Canada
Tel: 519-650-0420 / Fax: 519-650-1709



www.dedietrichboilers.com

Technical Specifications

- 24VAC
- 24VAC DIN rail mount enclosure
- OpenTherm communications with BACnet
- Power LED indicators for 24/120VAC
- RJ45 socket for BMS connections



Specifications

Voltage requirements	12VDC - 24VAC
Fuse rating	N/A
Power	4VA
Communication connections	Supplied cable between devices

PCB Identifiers

1	12VDC power supply connections
2	Power LED indicator
3	BACnet RJ45 BMS connection
4	N/A
5	N/A

6	N/A
7	N/A
8	OT Communication indicator LED
9	COM1 - OT to boiler

Available Read/Write Points

Variable	Read/Write	Units	Gas 310	C230/MCA
Boiler water temperature	R	°C/°F	✓	✓
Current Modulation level (boiler modulation)	R	%	✓	✓
Outside Temperature	R	°C/°F	✓	✓
Return Water Temperature	R	°C/°F	✓	✓
Flue Gas Temperature	R	°C/°F	✓	
Boiler Heat Exchanger Temperature	R	°C/°F	✓	
Boiler Fan Speed	R	Hertz	✓	
Water Pressure	R	Bar/PSI	✓	✓
OEM Fault Code	R	0-255	✓	✓
OEM Diagnostic Code	R	0-65535	✓	✓
Boiler Fault (no fault / fault)	R	0/1	✓	✓
Flame Status (no flame / flame)	R	0/1	✓	✓
Service Required (not reqd / reqd)	R	0/1	✓	✓
Lockout - Reset	R	0/1	✓	✓
Low Water Pressure	R	0/1	✓	✓
Gas/Flame Fault	R	0/1	✓	✓
Air Pressure Fault	R	0/1	✓	✓
Water Over-Temperature	R	0/1	✓	✓
Units (Metric/Imperial, °C/°F, Bar/PSI)	W	0/1	✓	✓
Set-point (Either Boiler Temp. or Modulation, see Control Method)	W	°C/°F	✓	✓
Control Method (Set-point - Boiler Temp / Modulation Controlled)	W	0/1	✓	✓