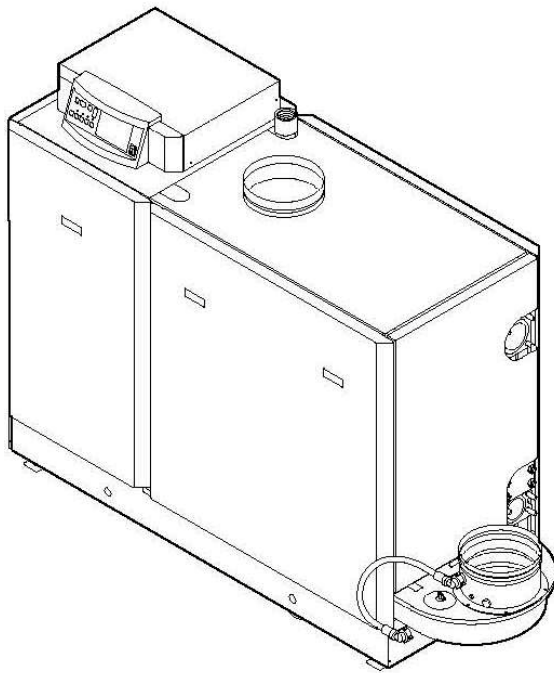


De Dietrich Gas 310 Eco Series

Gas-Fired Condensing Hot Water Boiler



Recommended Spare Parts Price List

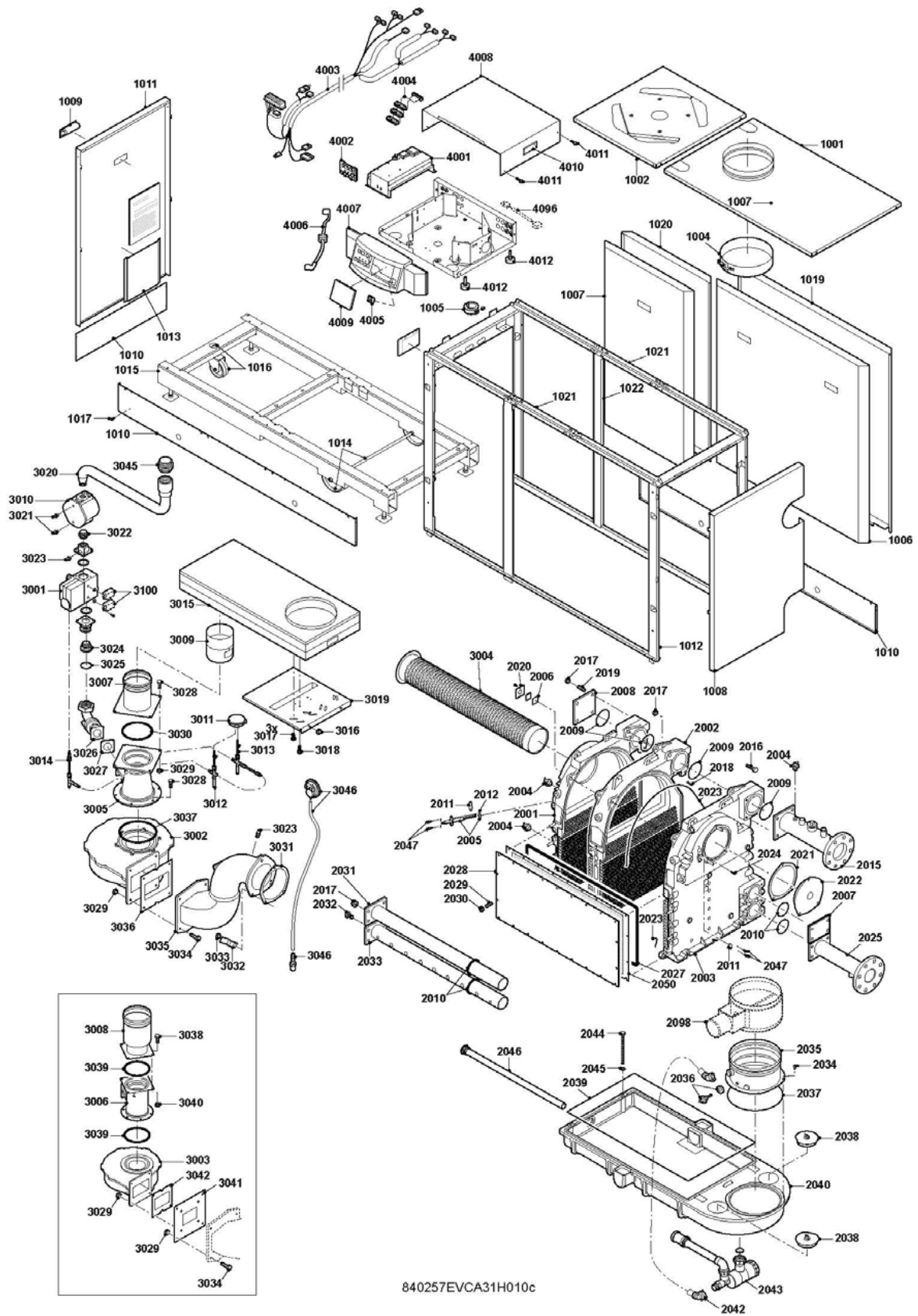
Warning!

- The Gas310-610 Eco Series Boiler must only use OEM parts and can only be obtained through an authorized De Dietrich Representative.
- Using non OEM parts may result in personal injury including loss of life or damage to the boiler or property.

Gas 310 Eco Recommended Spare Parts Price List

Part #	Description	Item #	List Price
S44698	Temp. sensor; return, block & flow NTC 12K/007	2004	\$0
S57783	Electrode ignition/ionization	2005	\$0
S45004	Glass inspection c/w gasket & 2 screws	2006	\$0
57725	O-ring Ø 107 x 5mm	2009	\$0
S62105	Gasket for electrode ignition/ionization (10 pcs.)	2012	\$0
S100444	Fan 5-6 sections	3002	\$0
S100445	Fan 7-8-9 sections	3003	\$0
S100347	Burner 5 sections	3004	\$0
S100348	Burner 6 sections	3004	\$0
S100329	Burner 7 sections	3004	\$0
S100330	Burner 8 sections	3004	\$0
S100331	Burner 9 sections	3004	\$0
S100460	Air pressure switch - Vent safety - Huba 4030	3046	\$0
30629	Sealing Silicon Red 7mm - sold per meter	2027	\$0
S49297	Sensor flue gas temperature NTC 12kohm 3%	2036	\$0
S58611	Siphon assembly complete	2043	\$0
S100668	Insulation front plate heat exchanger 5 sec.	2050	\$0
S100669	Insulation front plate heat exchanger 6 sec.	2050	\$0
S100670	Insulation front plate heat exchanger 7 sec.	2050	\$0
S100671	Insulation front plate heat exchanger 8 sec.	2050	\$0
S100672	Insulation front plate heat exchanger 9 sec.	2050	\$0
S58602	Air-pressure differential sensor	3011	\$0
S100454	Control board MCBA 4001	4001	\$0
S43563	Fuse glass 2 amp fast (10 pcs.)	4001	\$0
S43561	Fuse glass 2 amp slow (10 pcs.)	4001	\$0
S59208	PC board display	4002	\$0
S100455	Cable set complete wiring harness	4003	\$0
S59430	Fuse 10 amp slow acting (5 pcs.)	4003	\$0
S100456	Flat cable	4004	\$0
S59277	On/off switch (5 pcs.)	4005	\$0
S100457	Ignition/ionization cable with cap & grommet	4006	\$0
S38187	Fuse 1 amp slow acting (10 pcs.)	4001	\$0

Gas 310 Eco Exploded Parts View



DDR AMERICAS INC.

In Canada:

1090 Fountain St., Unit #10
Cambridge, Ontario, N3E 1A3 - CANADA
Tel: 519.650.0420 Fax: 519.650.1709

In USA or South America:

1054 North DuPage Avenue
Lombard, Illinois, USA 60148
Tel: 630.953.2374 Fax: 630.953.2376

Toll Free 1.800.943.6275

www.dedietrichboilers.com

In the interest of customers, DE DIETRICH & DDR Americas are continuously endeavouring to make improvements in product quality.
All the specifications stated in this document are therefore subject to change without notice.