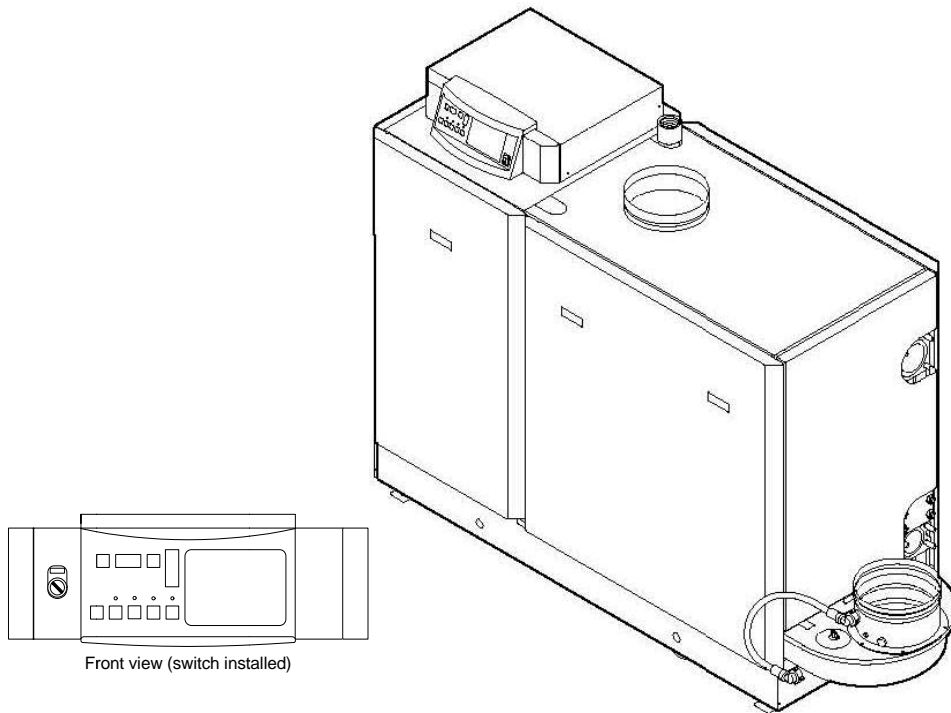


De Dietrich Gas 310 Eco Series

Local-Remote switch

English
10/28/09



Switch Installation Manual

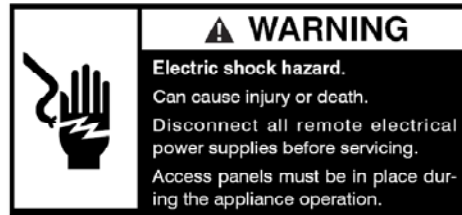
Warning:

Before you operate this boiler, read this manual carefully and take extra precautions to all safety and warning symbols or important items. The operating manual is part of the documentation along with the boiler. The installer is required to explain your heating system and boiler operating instructions.

Notice:

Please read this manual and retain for future reference. Improper installation, adjustment, alteration, service or maintenance can cause injury, loss of life or property damage. Refer to this manual for assistance or additional information or consult a qualified installer, service agency or the gas supplier.





Warning failure to follow the instructions below could result in damage or unsafe operation of the boiler which will not be covered under warranty.

Warning/Caution:

Please follow instruction exactly, follow local/national equipment lockout procedures prior to proceeding with the installation of this option.

If the boiler is in operation prior to the installation of this option, allow the boiler to cool down or force the boiler into cooling mode.

Gas310 Local-remote kit contents:

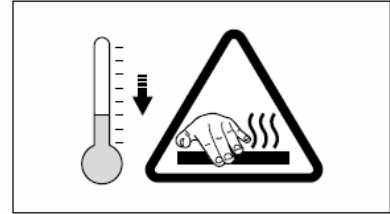
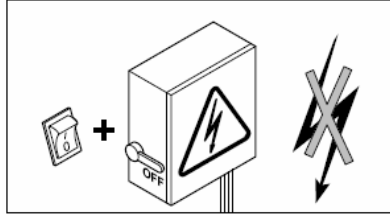
item	Qty	Description	Mfr Part #
1	1	Short handle selector switch	PB22BSRS21K
2	1	Label frame	PALBF18
3	1	Plastic holder	PBMBN
4	1	Contact block [x2] NO	PA2200/2
5	4	Red wire CSA TEW/UL 1015 18awg. (16std)	WIR-TEW18/16RED

Installation Tools (Min):

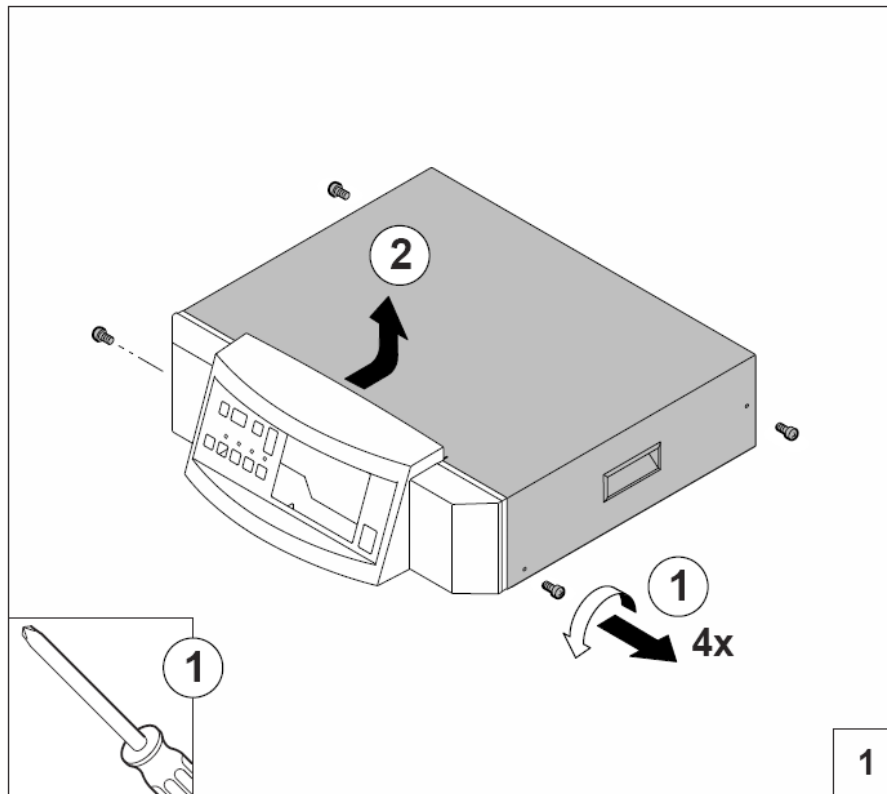
- 8mm wrench or nut driver
- Wire stripper
- Wire cutter
- #2 Phillips (star) screwdriver
- Small slot screwdriver
- Drill
- 22mm (7/8 Inch) hole saw

Step-By-Step, installation procedure:

STEP 1:

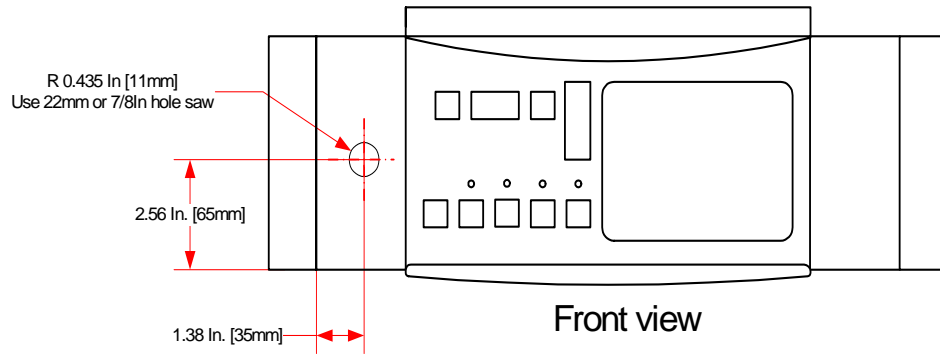


1. Shut-off gas supply to boiler at the boiler gas supply shutoff manual valve.
2. Disconnect power at the fuse disconnect.
3. Remove boiler control cover (see fig. 1) and retain the cover screws.



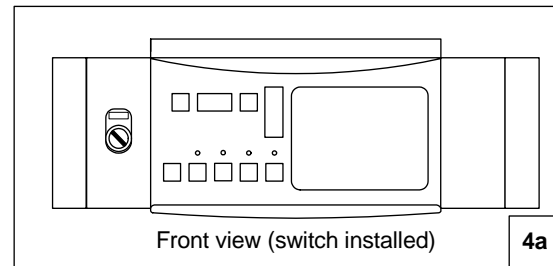
4. Drill hole in front of boiler control cover (see fig. 2), a drilling template is provided with the kit

Hole location for switch



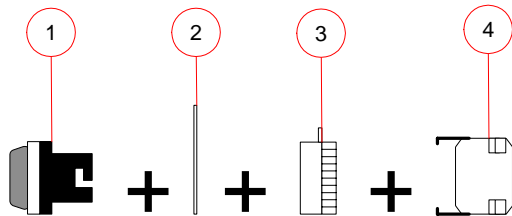
2

5. Install and mount switch assembly components as shown (see fig. 3), confirm the correct position and orientation of the switch (see fig. 4a,b,c)



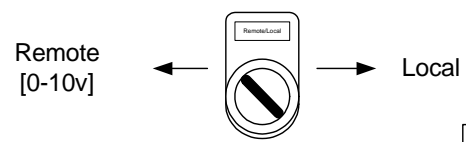
4a

Switch Assembly

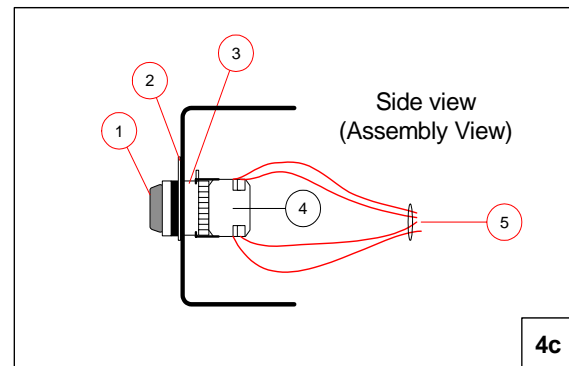


3

Switch Position

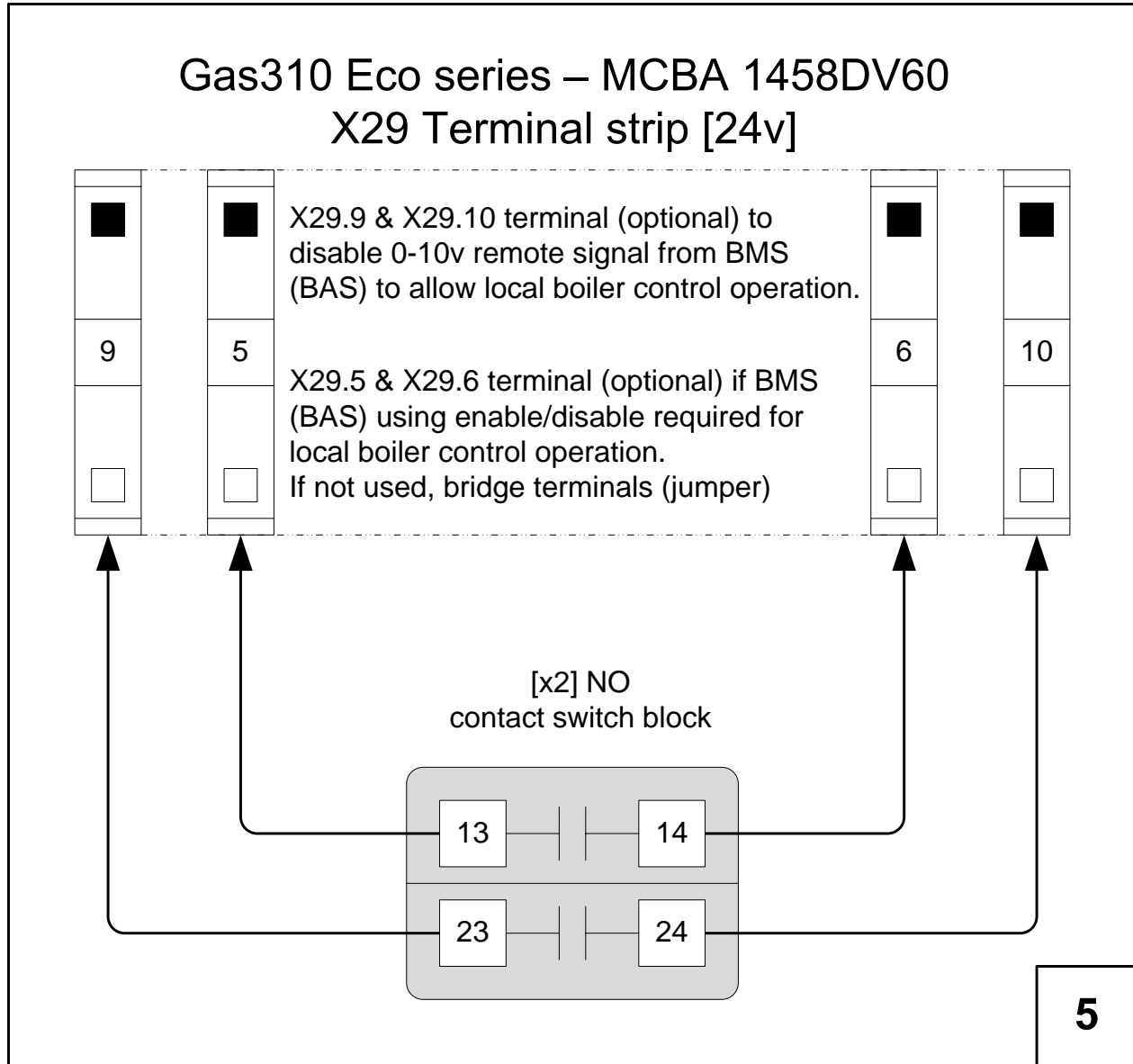


4b



4c

6. Wire switch as shown (see fig. 5, if the enable-disable function is not needed, do not wire the switch contact to terminals X29.5 & X29.6. the kit comes with (4) red wires pre-cut and insulation removed for easy wiring.



7. Reinstall control cover (see fig 1)
8. Turn on the gas and restore the main power at the fuse disconnect
9. Turn on the boiler main switch
10. Configure the boiler control to allow 0-10v remote signal based on temperature set-point or output based, change the user setting parameter **A** **3** **!** = local modulation
 - a) **A** from **3** **!** = 0-10v based on temperature
 - b) **A** from **5** **!** = 0-10v based on boiler output
11. Verify correct boiler operation and shutdown of boiler according to remote set-point and the local set-point (see boiler I-O manual for detailed instructions)
 - a) In local mode (switch in local position) the setting shall be determined by parameter **!** **XX** (XX is the setting programmed) note the decimal position if control has been setup for °F for °C the displayed values is a direct reading.
 - b) In remote mode (switch in remote position) setting will be determined by the 0-10v signal measured on X29.11 & X29.12. The actual voltage input can be observed in the read-out mode, consult the boiler manual.

Application note:

The local setting parameter **!** **XX** is the maximum temperature set-point the boiler will supply regardless of remote voltage supplied.

The installation of this switch shall not be considered complete until the correct function of the switch is confirmed by the installer.

Failure to confirm correct operation could lead to personal and property damage.

Incorrect installation and operation of this switch will void product warranty.

V(dc) (in)	Temperature based		Output Based %	Boiler
	°C	°F		
0	0	32	0	OFF
1	10	50	0	OFF
2	20	68	20	ON
3	30	86	30	ON
4	40	104	40	ON
5	50	122	50	ON
6	60	140	60	ON
7	70	158	70	ON
8	80	176	80	ON
9	90	194	90	ON
10	90	194	100	ON

The Manufacturer:



Bp 30 – 57, RUE DE LA Gare
F – 67580 MERTZWILLER
Tel: +33/3/88/80/27/00 – Fax: +33/3 88 80 27 99
Ni IRC : 347 555 559 RCS STRASBOURG Remeha B.V.

Postbus 32
7300 AA APELDOORN, NL
Tel: +31 55 5496969 Fax: +31 55 5496496
Internet: www.nl.remeha.com
E-mail: remeha@remeha.com

www.dedietrich-thermique.com

DDR AMERICAS INC.

In Canada:
1090 Fountain St., Unit #10
Cambridge, Ontario, N3E 1A3 - CANADA
Tel: 519.650.0420 Fax: 519.650.1709

In USA or South America:
1054 North DuPage Avenue
Lombard, Illinois, USA 60148
Tel: 630.953.2374 Fax: 630.953.2376

Toll Free 1.800.943.6275
www.dedietrichboilers.com

In the interest of customers, DE DIETRICH & DDR Americas are continuously endeavoring to make improvements in product quality.
All the specifications stated in this document are therefore subject to change without notice
