

9. Spare parts

9.1 General

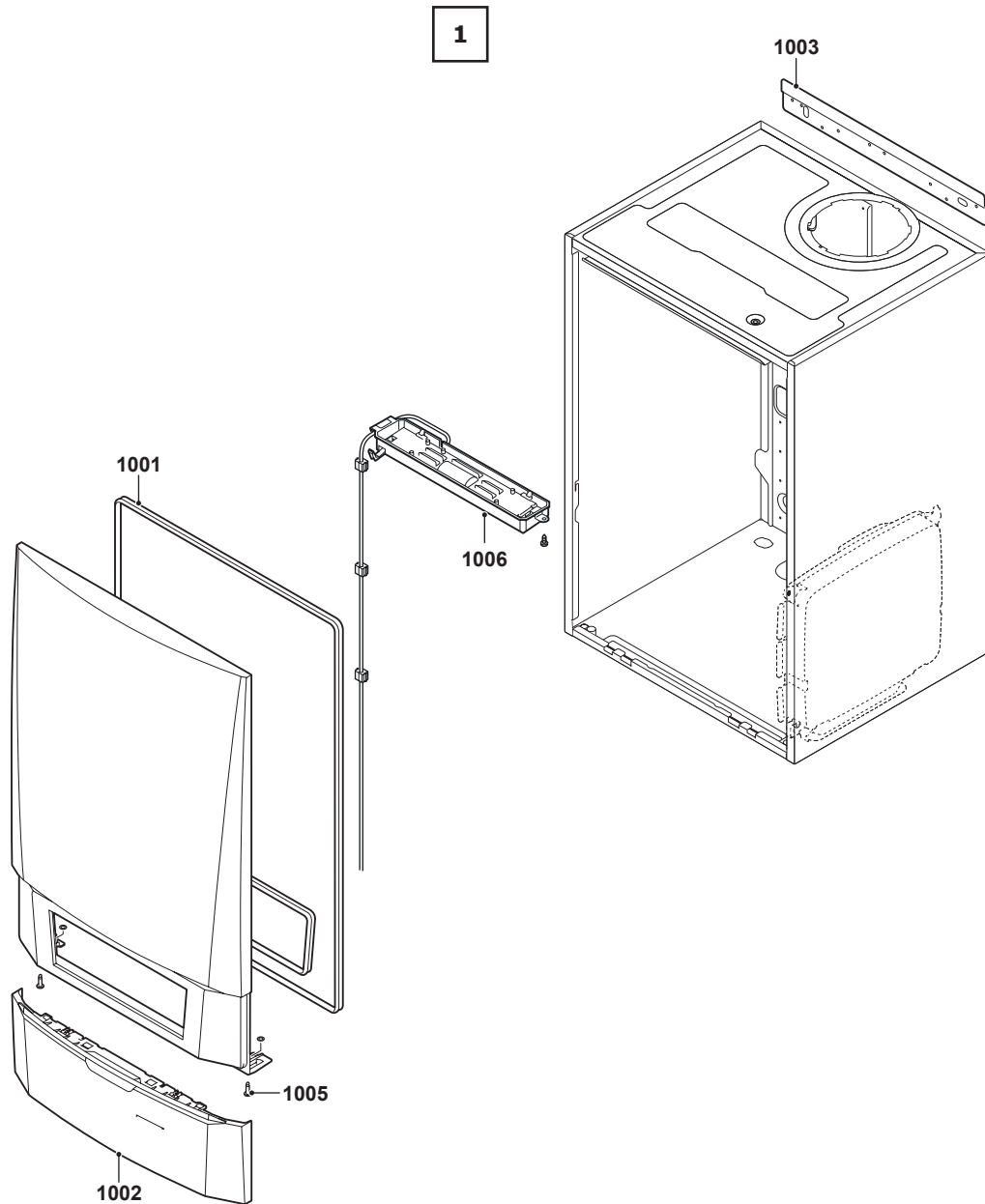
If it is deemed necessary after a boiler inspection or maintenance work that a part needs to be replaced, use only original spare parts or recommended spare parts and equipment.



To order a spare part, give the reference number shown on the list.

9.2 Spare parts

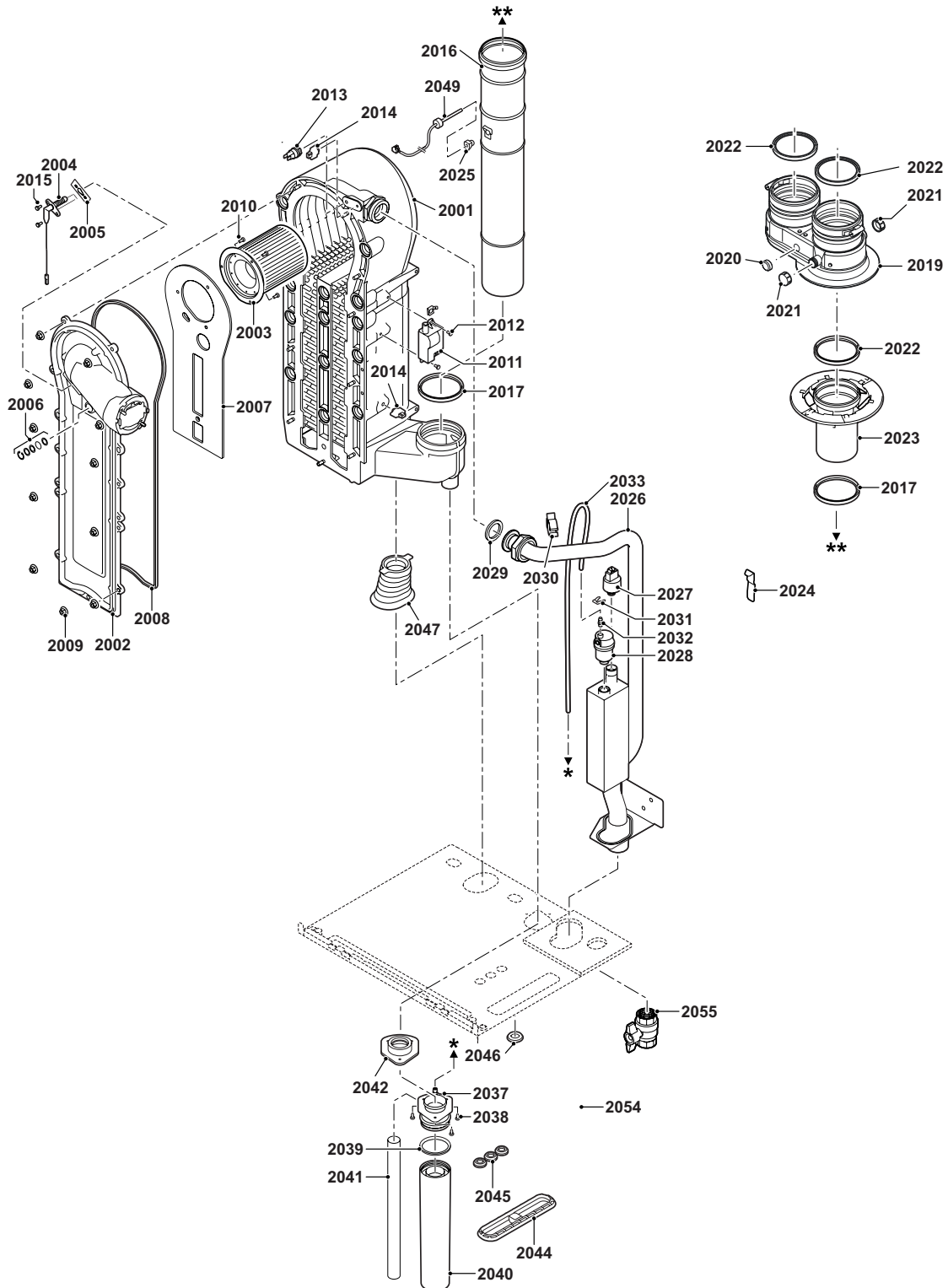
9.2.1 Casing



9. Spare parts

9.2.2. Heat exchanger and burner - MCA Pro 35/45

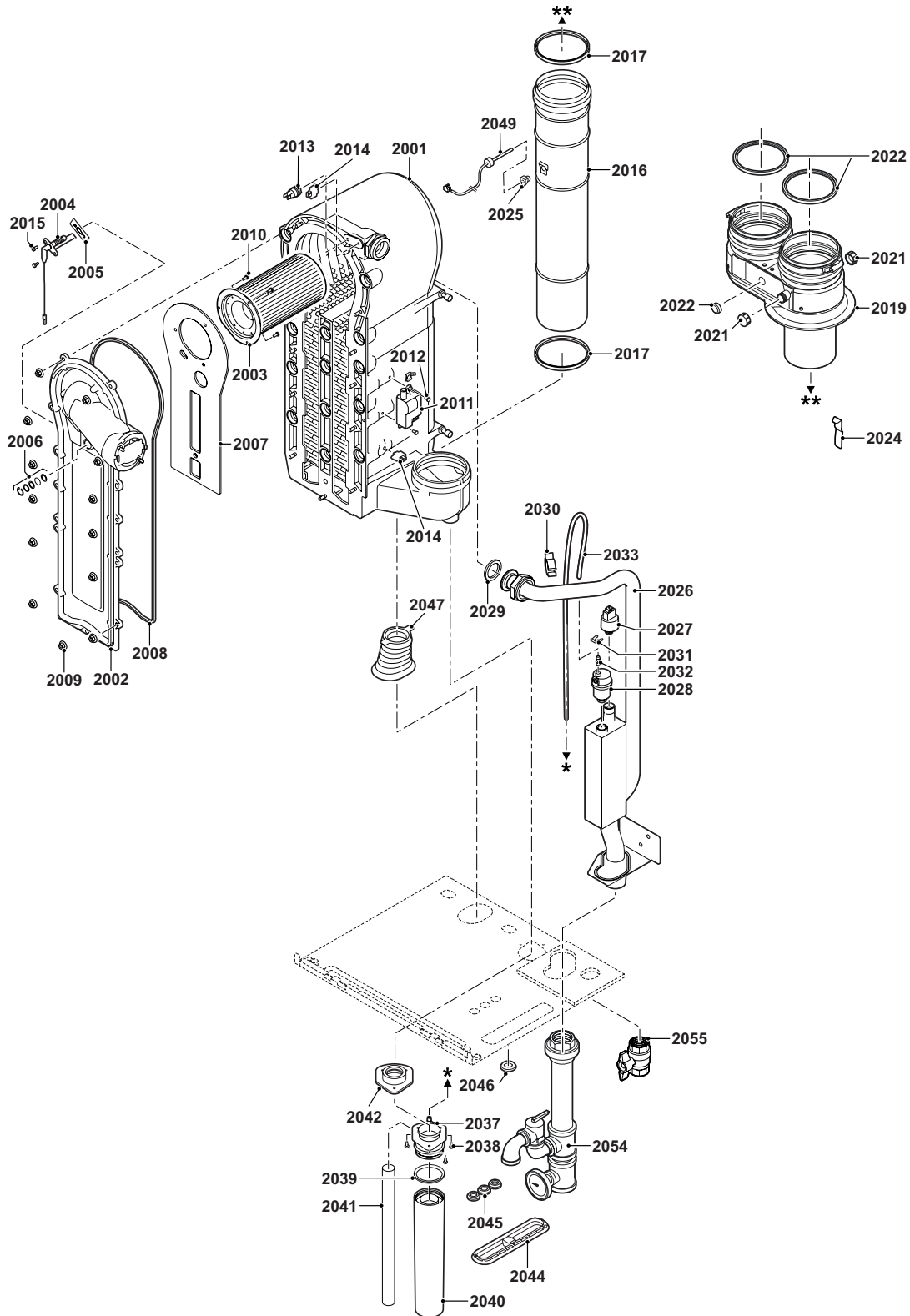
2



9. Spare parts

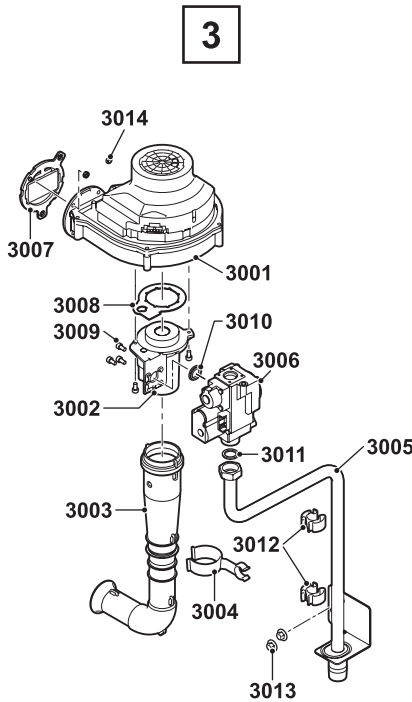
9.2.3. Heat exchanger and burner - MCA Pro 65

2

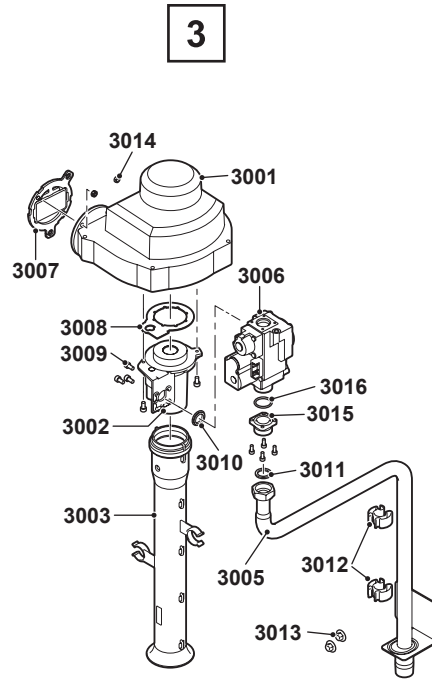


9. Spare parts

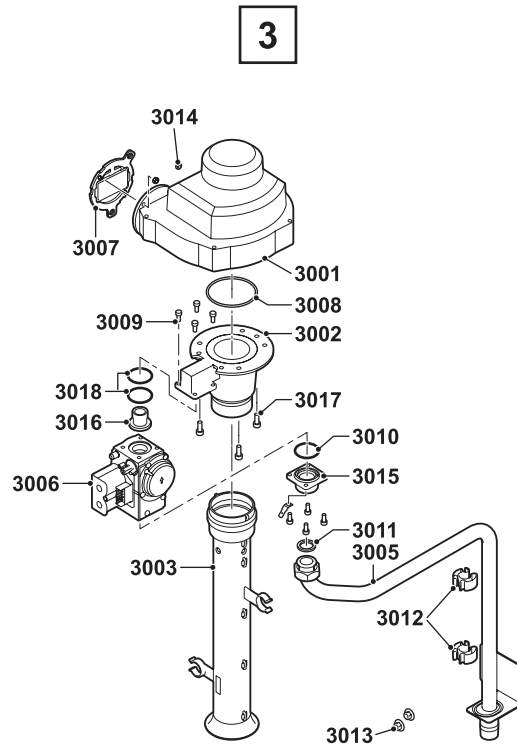
9.2.5. Fan - MCA Pro 35/45/65



9.2.6. Fan - MCA Pro 90



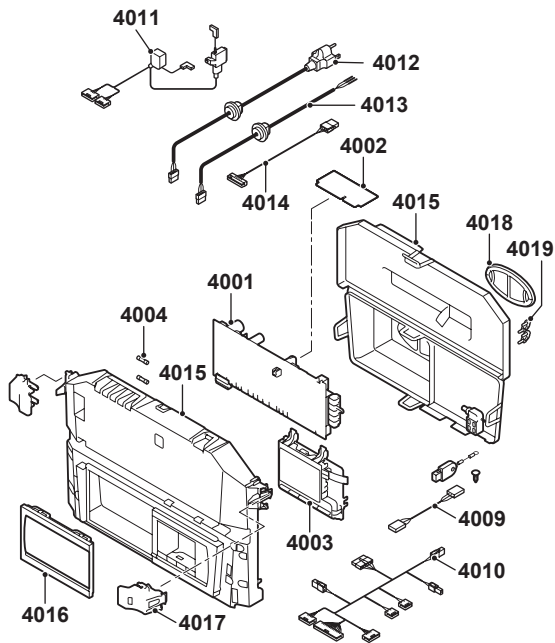
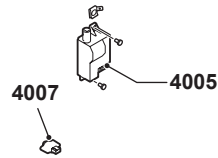
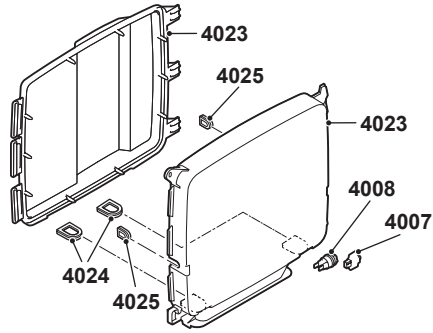
9.2.7. Fan - MCA Pro 115



9. Spare parts

9.2.8. Control Panel

4



9. Spare parts

9.2.9. Spare parts list

Markers	Code no.	Description	Quantity	MCA 35	MCA 45	MCA 65	MCA 90	MCA 115
1 Casing								
1001	S101575	Front casing	1	x	x	x	x	x
1002	S103207	Cover HMI	1	x	x	x	x	x
1003	S103297	Wall Suspension bracket	1	x	x	x	x	x
1005	S101403	Quarter lock stud	1	x	x	x	x	x
1006	7602110	Lighting unit	1	x	x	x	x	x
2 Heat exchanger and burner								
2001	S103183	Heat exchanger 35/45 kW	1	x	x			
2001	S103184	Heat exchanger 65 kW	1			x		
2001	S103185	Heat exchanger 90/115 kW	1				x	x
2002	S101564	Heat exchanger front plate	1	x	x	x	x	x
2003	S54753	Burner -35/45 kW	1	x	x			
2003	S54754	Burner - 65 kW	1			x		
2003	S57477	Burner - 90/115 kW	1				x	x
2004	S101566	Ignition/ionization electrode	1	x	x	x	x	x
2005	S53489	Sealing plate for the ignition electrode	10	x	x	x	x	x
2006	S59118	Inspection glass	1	x	x	x	x	x
2007	S54731	Insulation plate heat exchanger	1	x	x	x	x	x
2008	S57241	Sealing heat exchanger front plate	1	x	x	x	x	x
2009	S54755	M6 nut	20	x	x	x	x	x
2010	S100052	Screw M4x10	20	x	x	x	x	x
2011	S103206	Ignition Coil	1	x	x	x	x	x
2012	S101509	Screw M4x5	5	x	x	x	x	x
2013	7602131	HL temperature sensor	1	x	x	x	x	x
2014	S101003	NTC temperature sensor	2	x	x	x	x	x
2015	S48950	Screw M4 x10	50	x	x	x	x	x
2016	7602113	Flue gas discharge pipe Ø80 mm	1	x	x			
2016	7602115	Flue gas discharge pip Ø100 mm	1			x	x	x
2017	S55914	Sealing ring Ø80 mm	5	x	x			
2017	S55915	Sealing ring Ø100 mm	5			x	x	x
2019	7602111	Adapter flue gas 3" (MCA 35/45)	1	x	x			
2019	7602112	Adapter flue gas 4" (MCA 65/90/115)	1			x	x	x
2020	S62233	Sealing plug	5	x	x	x	x	x
2021	S62232	Screw Cap	5	x	x	x	x	x
2022	S62233	Cap	5	x	x	x	x	x
2023	S101567	Ring adapter	1	x	x			
2024	S100901	Plate lock	1	x	x	x	x	x
2025	S59659	Grommet flue gas temperature sensor	5	x	x	x	x	x
2026	7602120	Heating supply pipe CH	1	x	x	x		
2026	7602121	Heating supply pipe CH	1				x	x
2027	S101632	Pressure sensor	1	x	x	x	x	x
2028	S101608	Automatic air vent	1	x	x	x	x	x
2029	S100737	Sealing ring Ø 44 x32 x4 mm	5	x	x	x	x	x
2030	S101576	Cable clamp 28-35	5	x	x	x	x	x
2031	S101644	Clip 10.2	5	x	x	x	x	x

9. Spare parts

Markers	Code no.	Description	Quantity	MCA 35	MCA 45	MCA 65	MCA 90	MCA 115
2032	S100895	Nipple hose M7x1	1	x	x	x	x	x
2033	S101570	Silicone hose 8X2X740	1	x	x	x	x	x
2037	S101558	Siphon base	1	x	x	x	x	x
2038	S14254	Screw 4,2X9,5	20	x	x	x	x	x
2039	S101580	Sealing ring Ø60 mm	1	x	x	x	x	x
2040	S101559	Siphon	1	x	x	x	x	x
2041	S101606	Siphon hose	1	x	x	x	x	x
2042	S101581	Siphon gasket	1	x	x	x	x	x
2044	S101298	Closing plate SCU	1	x	x	x	x	x
2045	S62727	Grommet Ø 20 mm	15	x	x	x	x	x
2046	S101607	Grommet Ø 25X35X2 mm	5	x	x	x	x	x
2047	S101605	Sealing (Heating circuit return)	1	x	x	x	x	x
2049	S103186	Flue gas temperature sensor	1	x	x	x	x	x
2054	S103296	Connection kit	1	x	x	x	x	x
2055	7602126	Gas valve	1	x	x	x	x	x
3 Fan								
3001	S103190	Fan 35/45/65/ kW - 115V	1	x	x	x		
3001	S103191	Fan 90 kW - 115V	1				x	
3001	S103192	Fan 115 kW - 115V	1					x
3002	S54765	Venturi 35/45 kW	1	x	x			
3002	S54766	Venturi 65 kW	1			x		
3002	S57488	Venturi 90 kW	1				x	
3002	S101595	Venturi 115 kW	1					x
3003	S101543	Air intake silencer 35/45/65W	1	x	x	x		
3003	S101520	Air intake silencer 90 kW	1				x	
3003	S101578	Air intake silencer 115 kW	1					x
3004	S101590	Clamp intake silencer	1	x	x			
3005	7602122	Gas inlet pipe	1	x	x	x		
3005	7602123	Gas inlet pipe	1				x	
3005	7602124	Gas inlet pipe	1					x
3006	S103193	Gas block 35/45kW incl. venturi	1	x	x			
3006	S103213	Gas block 65kW incl. venturi	1			x		
3006	S103194	Gas block 90kW incl. venturi	1				x	
3006	S103195	Gas block 115kW incl. venturi	1					x
3007	S101565	Non return valve with gasket	1	x	x	x	x	x
3008	S54777	Venturi gasket	5	x	x	x	x	
3008	S100059	o-ring	5					x
3009	S48512	Screw M5X10	10	x	x	x	x	
3009	S100468	Screw M5X12	10					x
3010	S101591	Set of gaskets 35/45/65 kW	1	x	x	x		
3010	S101592	Set of gaskets - 90 kW	1				x	
3010	S101593	Set of gaskets - 115 kW	1					x
3011	S56155	Leakproof seal Ø 23.8X17.2X2 mm	20	x	x	x	x	x
3012	S101519	Cable clamp	5	x	x	x	x	x
3013	S54755	Flanged nut M6	20	x	x	x	x	x
3014	S100055	M5 nut	20	x	x	x	x	x

9. Spare parts

Markers	Code no.	Description	Quantity	MCA 35	MCA 45	MCA 65	MCA 90	MCA 115
3015	S57827	Flange for gas valve unit	1				×	
3016	S57828	O-ring (Gas inlet pipe) Ø 26.88X22X2.5 mm	1				×	
3016	S101631	Nozzle inlet venturi	1					×
3017	S100054	Screw M5x16 (20pcs)	20	×	×	×	×	×
3018	S101664	O-ring	5					×
4. Control Panel								
4001	S103198	PCU-04 PCB	1	×	×	×	×	×
4002	S103300	SU-01 PCB	1	×	×	×	×	×
4003	S103214	Display plate	1	×	×	×	×	×
4004	S6778	6.30 glass fuse A slow	10	×	×	×	×	×
4004	S43562	3,15 glass fuse A slow	10	×	×	×	×	×
4005	S103206	ignition transformer	1	×	×	×	×	×
4006	S101632	Pressure sensor	1	×	×	×	×	×
4007	S101003	NTC temperature sensor	2	×	×	×	×	×
4008	7602131	HL temperature sensor	1	×	×	×	×	×
4009	S103196	PCU pump cable	1	×	×	×	×	×
4010	S103200	24 V cable	1	×	×	×	×	×
4011	S103204	Cable harness 115V, 35/45/65/90kW	1	×	×	×	×	
4011	S103203	Cable harness 115V, 115kW	1					×
4012	S103199	Electric cable 1500 mm	1	×	×	×	×	×
4013	S103208	Pump cable	1	×	×	×	×	×
4014	S103197	Cable for fan	1	×	×	×	×	×
4015	7602127	Control panel	1	×	×	×	×	×
4016	S100852	Protective cover	1	×	×	×	×	×
4017	S101514	Fastening	2	×	×	×	×	×
4018	S100861	Oval sealing gasket	5	×	×	×	×	×
4019	S59372	Strain relief	1	×	×	×	×	×
4023	7602130	Box SCU	1	×	×	×	×	×
4024	S101862	SCU grommet	5	×	×	×	×	×
4025	S101000	SCU grommet	5	×	×	×	×	×
5. Items not illustrated								
5001	S103209	Service Kit A	1					
5002	S103210	Service Kit B	1					
5003	S103211	Service Kit C	1					
6. Standard delivery items and accessories								
6001	S100316	Outdoor sensor						
6002	S43946	DHW tank temperature sensor						

10. Checklists

10.1 Checklist for commissioning

No.	Work to be undertaken for commissioning	Attachment / Measured values
1	Filling the heating system with water and checking the water pressure	
2	Fill the siphon with water	
3	Vent the air in the heating system	
4	Checking the water-side connections for tightness	
5	Checking the type of gas supplied. Checking that the boiler is suitable for the gas supplied?	
6	Checking the gas supply pressure	
7	Checking the capacity of the gas meter	
8	Checking the tightness of the connections and the gas pipes	
9	Purge the gas supply pipe of the boiler	
10	Checking the electrical connections	
11	Checking the air supply connections and flue gas discharge connections	
12	Checking the functioning and operational status of the boiler	
13	Checking the air/gas ratio	
14	Remove the measuring device and close the measurement points	
15	Correctly fit the front housing of the boiler	
16	Attaching the Gas Type sticker	
17	Set the room thermostat or the regulator	
18	Instruct the user and hand over the necessary documents	
19	Fill in the warranty card together with the user	
20	Confirmation of commissioning	
	Date	(dd-mm-yy)
	Company name, signature of engineer	

10. Checklists

10.2 Checklist for periodic inspection and maintenance

No.	Inspection and/or service activities	Confirmation and date				
1	Checking the system pressure (Recommendation: 22 - 30 psig / 1.5 - 2 bar)					
2	Checking the tightness of the flue gas venting and air inlet connections					
3	Checking the automatic air vent					
4	Checking the safety valve					
5	Checking the siphon					
6	Checking the ionization current					
7	Checking the burner and heat exchanger (heating system)					
8	Inspection of the ionization electrode/ignition electrode					
9	Assembling the boiler (Replace all removed gaskets)					
10	Filling and refitting the siphon					
11	Checking combustion (CO ₂) (Full load/Part load)					
12	Number of operating hours					
13	Number of successful starts (%)					
14	Service message deleted or service indicator reset					
15	Maintenance kit A, B or C used					
16	Boiler visually inspected					
17	Extra maintenance work that was undertaken					
18	Check the water chemistry					
19	Confirmation of inspection					
	Date	(dd-mm-yy)	(dd-mm-yy)	(dd-mm-yy)	(dd-mm-yy)	(dd-mm-yy)
	Company name, signature of engineer					