

Boiler Door

BP 13
Door Face

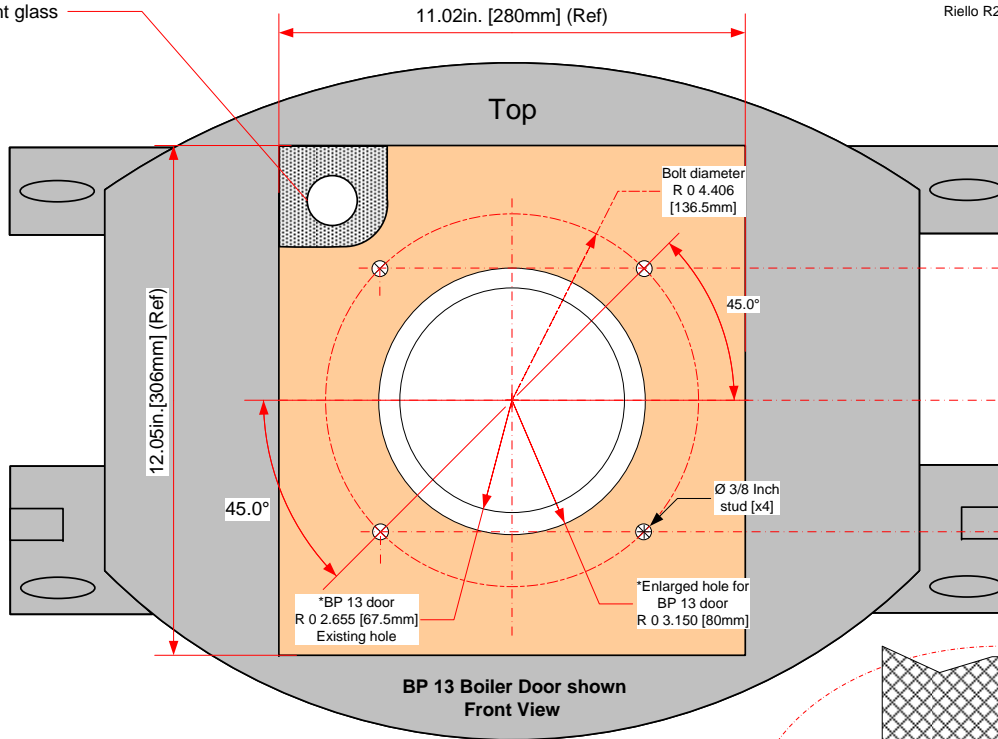
Burner Gasket
[Supplied with Burner]

Boiler door insulation
Boiler door face
Riello R28-50 gasket)
Riello R28-50 burner flange
Boiler fiber board insulation (field modified to suit burner head requirements)


Boiler chamber sight glass

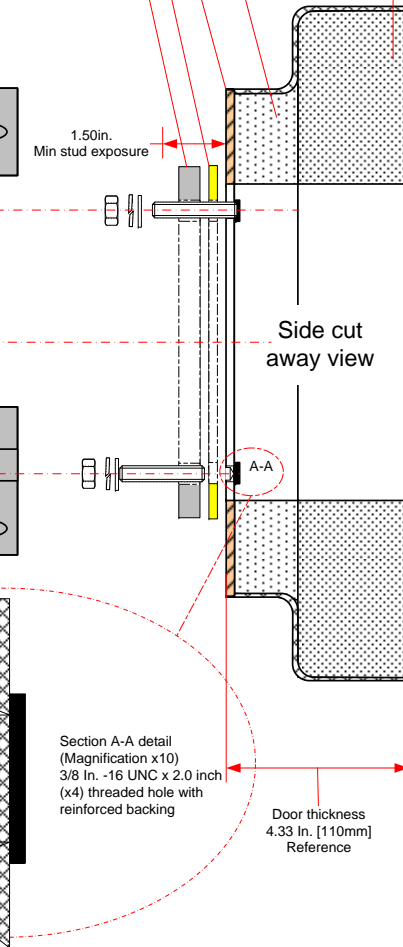
11.02in. [280mm] (Ref)

Vendor Notes	
1. Modify GT 330A Door(s) 'BP 13' only	
2. Boiler door(s) combustion head openings:	
* BP 13 = 135mm [5.31 In.] opening .	
* BP13 door used for modification, the door opening will need to be increased from 135mm [5.3 In.] to 160mm [6.3 In.]	
3. Drill & tap door for 3/8"-16 UNC x 2.0 In. studs [x4]	
4. All studs to be reinforced at back with good mechanical means.	
5. Studs & hardware to be supplied with modified boiler door by vendor.	
6. All modifications are to be free of burrs and shapes edges. No finish specified on modified door.	
<i>Standard BP13 GT330A boiler door, colours used in drawing are for reference only</i>	



BP 13 Boiler Door shown
Front View

Boiler Door – Burner Mounting Hardware [Supplied with modified Boiler Door]	
	3/8In.-16 UNC x 2.0 In. studs [x4] 4 pieces



Section A-A detail
(Magnification x10)
3/8 In.-16 UNC x 2.0 inch
(x4) threaded hole with
reinforced backing

Door thickness
4.33 In. [110mm]
Reference

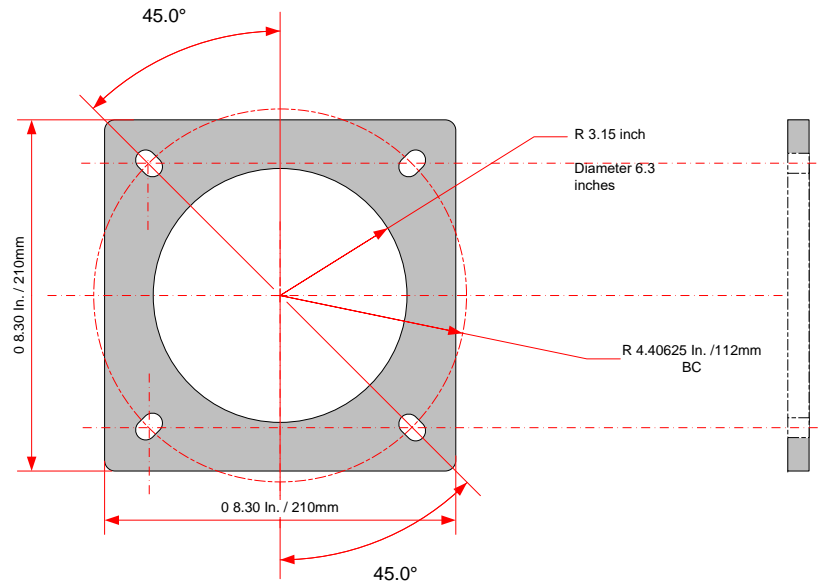
Drawing Template [0]



DDR Americas Inc.
1090 Fountain Street North, Unit 10 & 11
Cambridge, Ontario N3E 1A3 – Canada
Tel: 1.800.943.6275 Fax: 519.650.1709
www.dedietrichboilers.com

Revisions			Description	GT 330A (BP 13) boiler door modifications for Riello RS or RL28 thru 50 burners and RS45 LN				
Date	Description	Initial		Creator	Tolerances ±	Material	Cast iron/CRS	
08/19/08	Deleted adapter plate	CJH		Craig H.	0.03in. /0.75mm			
11/20/08	Added BP 13 door refer.	CJH						
01/20/21	remove BP14 option	CJH						
				Approved	Scale	3 in = 1 ft.	File Name	2-300-RIE-001(a)
				Revision	Units	In./mm	Date [mm/dd/yy]	11/20/08

Riello R28 thru 50
burner mounting flange details
(Reference only)



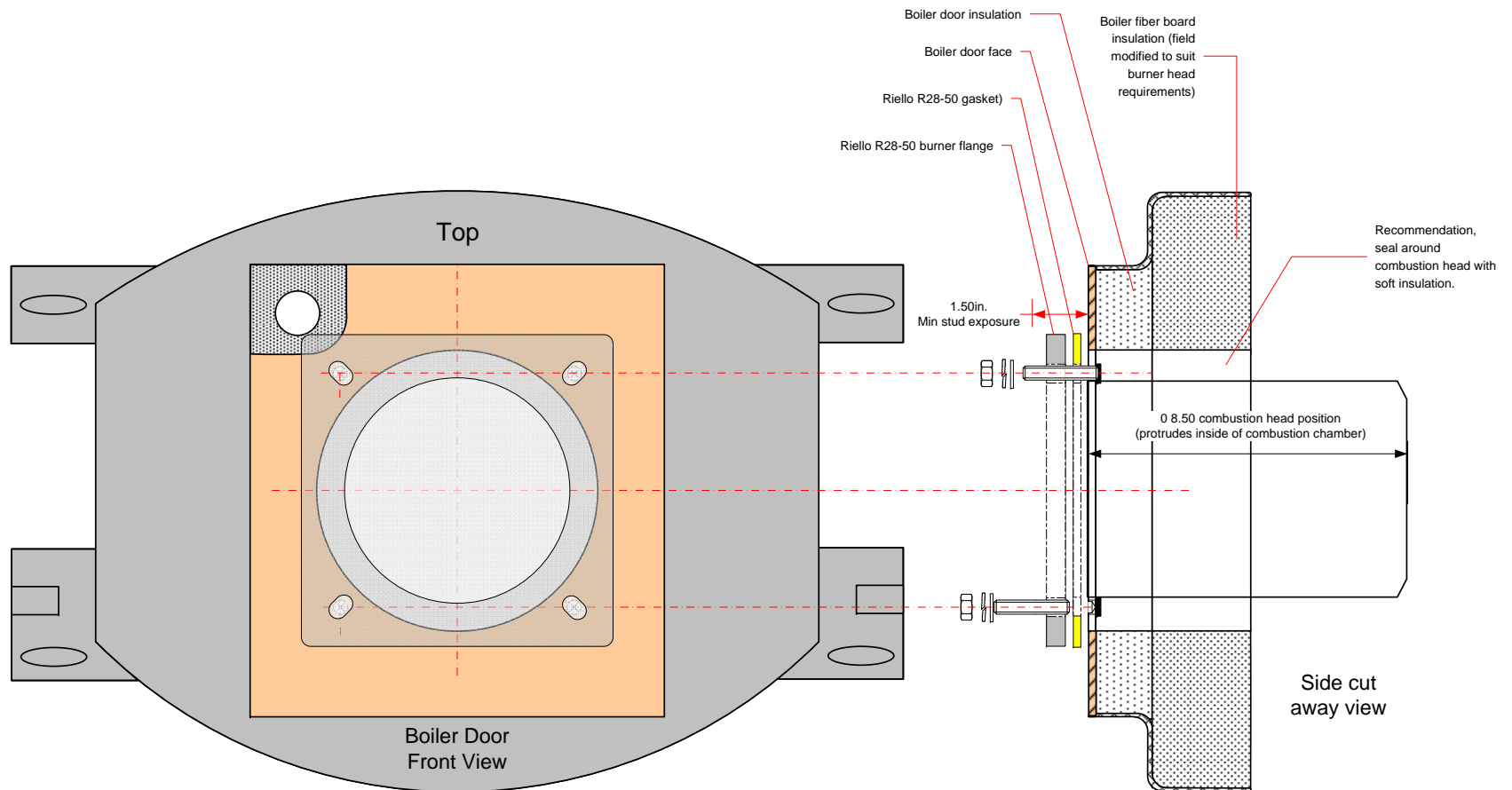
Riello R28 thru R50 burner mounting
on GT330A boiler door

Drawing Template [0]



DDR Americas Inc.
1090 Fountain Street North, Unit 10 & 11
Cambridge, Ontario N3E 1A3 – Canada
Tel: 1.800.943.6275 Fax: 519.650.1709
www.dedietrichboilers.com

Revisions		Description	Riello R28 thru R50 burner mounting detail on Modified GT330A BP13 Door (Reference only)					
Date	Description		Initial	Creator	Tolerances ±	Material	Scale	File Name
			Craig H.	0.03In./0.75mm	Cast iron/CRS	3 in = 1 ft.	2-300-RIE-001(b)	
			Approved			In./mm	08/19/08	
			Revision	1				



Drawing Template [0]



DDR Americas Inc.
 1090 Fountain Street North, Unit 10 & 11
 Cambridge, Ontario N3E 1A3 – Canada
 Tel: 1.800.943.6275 Fax: 519.650.1709
 www.dedietrichboilers.com

Revisions		
Date	Description	Initial

Description	GT 330A BP13 door with Riello R28 thru 50 burner mounting (Final assembly drawing)						
	Creator	Craig H.	Tolerances ±	0.03In./0.75mm	Material	Cast iron/CRS	
Approved		Scale	3 in = 1 ft.	File Name	2-300-RIE-001(c)		
Revision	1	Units	In./mm	Date [mm/dd/yy]	08/19/08		